



Chipsmall Limited consists of a professional team with an average of over 10 year of expertise in the distribution of electronic components. Based in Hongkong, we have already established firm and mutual-benefit business relationships with customers from,Europe,America and south Asia,supplying obsolete and hard-to-find components to meet their specific needs.

With the principle of “Quality Parts,Customers Priority,Honest Operation,and Considerate Service”,our business mainly focus on the distribution of electronic components. Line cards we deal with include Microchip,ALPS,ROHM,Xilinx,Pulse,ON,Everlight and Freescale. Main products comprise IC,Modules,Potentiometer,IC Socket,Relay,Connector.Our parts cover such applications as commercial,industrial, and automotives areas.

We are looking forward to setting up business relationship with you and hope to provide you with the best service and solution. Let us make a better world for our industry!



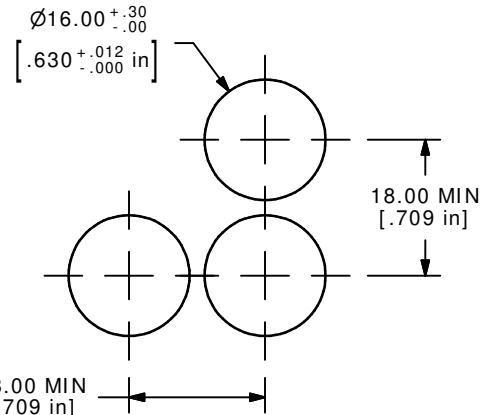
Contact us

Tel: +86-755-8981 8866 Fax: +86-755-8427 6832

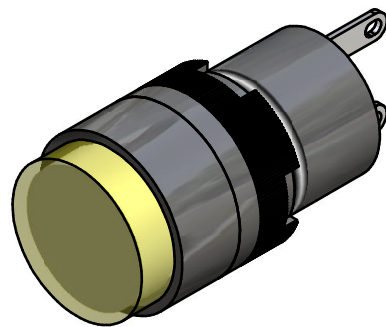
Email & Skype: info@chipsmall.com Web: www.chipsmall.com

Address: A1208, Overseas Decoration Building, #122 Zhenhua RD., Futian, Shenzhen, China

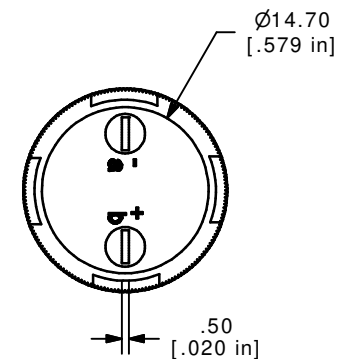
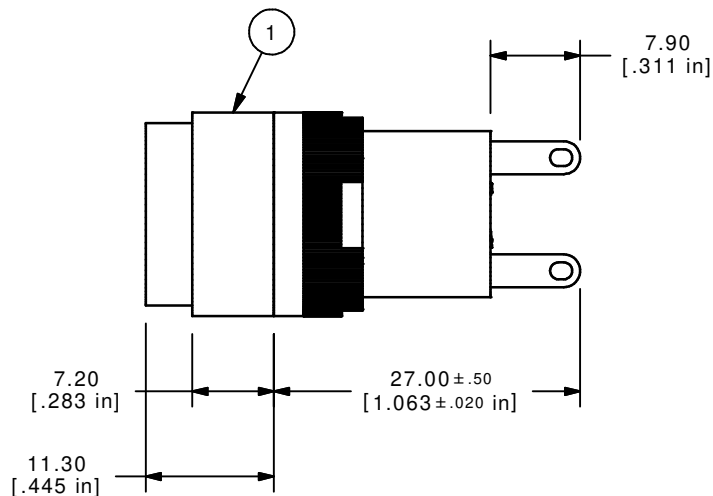
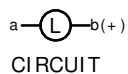
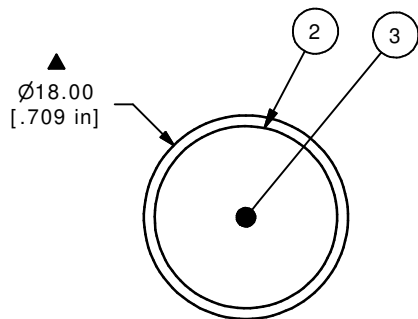




RECOMMENDED PANEL MOUNTING



PARTS LIST				
ITEM	QTY	PART NUMBER	DESCRIPTION	
1	1	F040003	L16PL10 BODY	
2	1	F050106	50-001-06 YELLOW CONCAVE TRANSPARENT LENS	
3	1	F050424	50-004-24 YELLOW 24V LED	



- NOTE:
1. ALL DIMENSIONS IN MM [INCH]
 2. GENERAL TOLERANCE: X.X = ± 0.4
X.XX = ± 0.25
 3. TERMINAL NUMBERS FOR REF ONLY
 4. OPERATING TEMP: -25°C to +55°C
 5. STORAGE TEMP: -40°C TO +85°C
 - ▲ 6. LAMP VOLTAGE: 24VDC LED
 7. ▲ DENOTES CRITICAL PARAMETER.

E-SWITCH®

A	14711	RELEASED FOR PRODUCTION	2/22/05	AR
REV	PCR NO	DESCRIPTION	DATE	BY

TITLE L16PLR10KYELYEL				
SCALE	DATE	DR	DWG	REV
1.5:1	2/22/05	AR	XF0271P	A

THE INFORMATION CONTAINED IN THIS DOCUMENT IS PROPRIETARY TO E-SWITCH AND IS NOT TO BE COPIED OR TRANSFERRED