



Chipsmall Limited consists of a professional team with an average of over 10 year of expertise in the distribution of electronic components. Based in Hongkong, we have already established firm and mutual-benefit business relationships with customers from,Europe,America and south Asia,supplying obsolete and hard-to-find components to meet their specific needs.

With the principle of “Quality Parts,Customers Priority,Honest Operation,and Considerate Service”,our business mainly focus on the distribution of electronic components. Line cards we deal with include Microchip,ALPS,ROHM,Xilinx,Pulse,ON,Everlight and Freescale. Main products comprise IC,Modules,Potentiometer,IC Socket,Relay,Connector.Our parts cover such applications as commercial,industrial, and automotives areas.

We are looking forward to setting up business relationship with you and hope to provide you with the best service and solution. Let us make a better world for our industry!



## Contact us

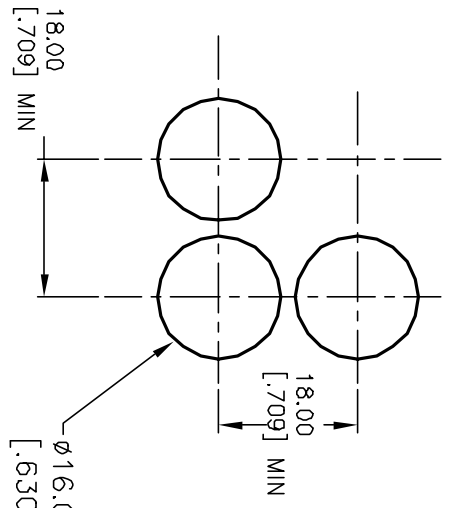
Tel: +86-755-8981 8866 Fax: +86-755-8427 6832

Email & Skype: info@chipsmall.com Web: www.chipsmall.com

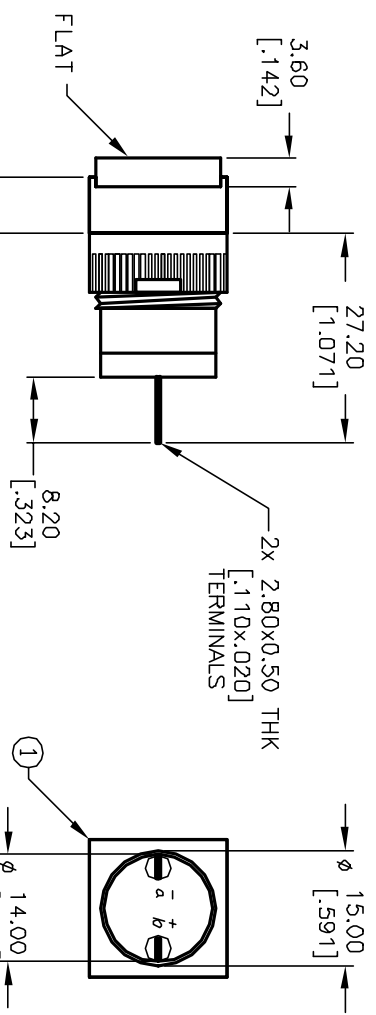
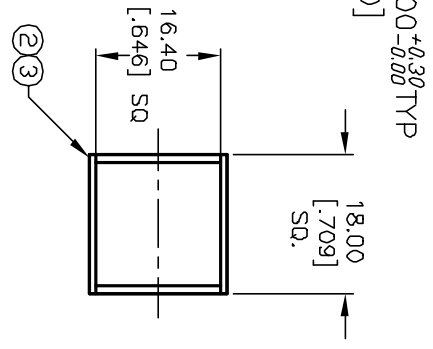
Address: A1208, Overseas Decoration Building, #122 Zhenhua RD., Futian, Shenzhen, China



Item	Qty.	Dwg. No.	Part No.
1	1	F040002	L16 PLS10
2	1	F050423	50-004-23 RED L.E.D.
3	1	F050314	50-003-14 RED LENS TRANSPARENT



RECOMMENDED PANEL LAYOUT



NOTES:

1. ALL DIMENSIONS IN MM [INCH]
2. GENERAL TOLERANCE: X.X=±0.4  
X.XX=±0.25
3. TERM. NOS. FOR REFERENCE ONLY.
4. RATING: 5A @250V AC  
8A @125V AC
5. LAMP VOLTAGE: 24V DC LED
6. MECHANICAL LIFETIME: >2 MILLION OPERATIONS
7. CONTACT MATERIAL: COPPER ALLOY W/SILVER PLATING

REV.	ECN No.	DESCRIPTION	DATE	CHKD
A	12439	RELEASED FOR PRODUCTION	9/20/02	CB

TITLE		L16 PL S10 K RED RED	
SCALE	DATE	DR	DWG
1:1	9/20/02	CB	XF0507P
THE INFORMATION CONTAINED IN THIS DOCUMENT IS PROPRIETARY TO E-SWITCH AND IS NOT TO BE COPIED OR TRANSFERRED		REV	A

