



Chipsmall Limited consists of a professional team with an average of over 10 year of expertise in the distribution of electronic components. Based in Hongkong, we have already established firm and mutual-benefit business relationships with customers from,Europe,America and south Asia,supplying obsolete and hard-to-find components to meet their specific needs.

With the principle of “Quality Parts,Customers Priority,Honest Operation,and Considerate Service”,our business mainly focus on the distribution of electronic components. Line cards we deal with include Microchip,ALPS,ROHM,Xilinx,Pulse,ON,Everlight and Freescale. Main products comprise IC,Modules,Potentiometer,IC Socket,Relay,Connector.Our parts cover such applications as commercial,industrial, and automotives areas.

We are looking forward to setting up business relationship with you and hope to provide you with the best service and solution. Let us make a better world for our industry!



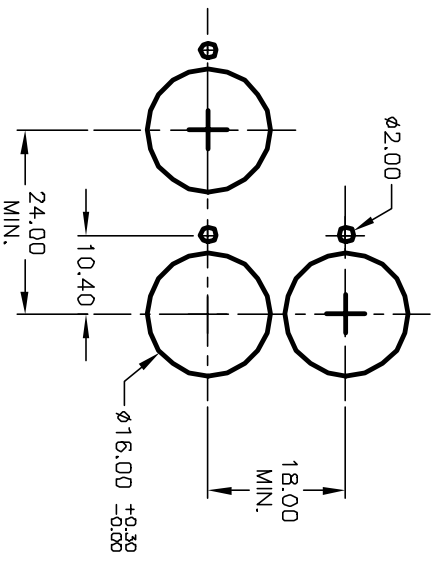
Contact us

Tel: +86-755-8981 8866 Fax: +86-755-8427 6832

Email & Skype: info@chipsmall.com Web: www.chipsmall.com

Address: A1208, Overseas Decoration Building, #122 Zhenhua RD., Futian, Shenzhen, China



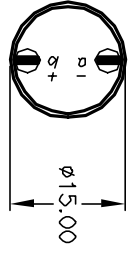
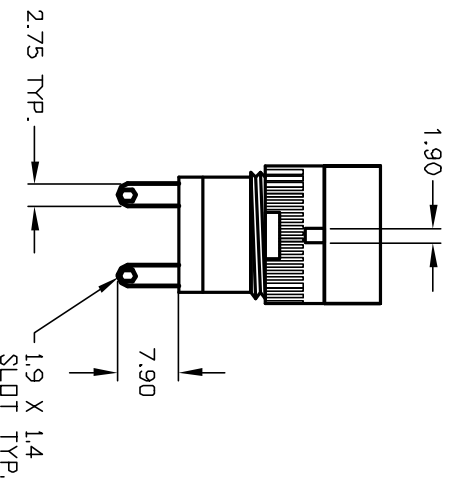
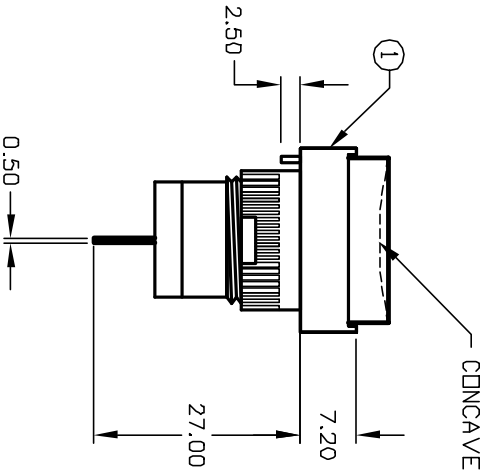
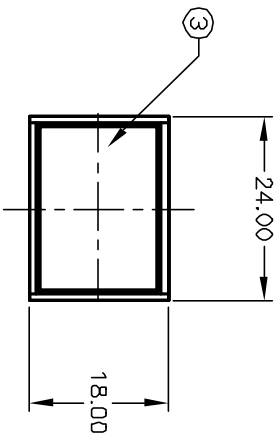


RECOMMENDED PANEL MOUNTING
SCALE 1:1

α-①-b (+)

CIRCUIT: PILOT INDICATOR

- NOTES:
1. ALL DIMENSIONS IN MM
 2. GENERAL TOLERANCE: X.X=±0.4
X:XX=±0.25
 3. RATINGS: 1A, 2A, 4A, 5A @250V AC
6V AC/DC 200mA (INCANDESCENT BULB)
 4. CONTACT MATERIAL: COPPER ALLOY W/Silver Plating



PARTS LIST

ITEM	QTY.	PART NO.	PART DESCRIPTION
1	1	F040001	L16 PL T1 00
2	1	F050402	50-004-02 (Incandescent bulb)
3	1	F050205	50-002-05 (WHT lens)

A		13113		RELEASE FOR PRODUCTION		5/8/03		AR	
REV.		ECN No.		DESCRIPTION		DATE		CHKD	
THE INFORMATION CONTAINED IN THIS DOCUMENT IS PROPRIETARY TO E-SWITCH AND IS NOT TO BE COPIED OR TRANSFERRED									
TITLE		L16 PL T10 A WHT							
SCALE		1:1		DATE		5/8/03		DR AR	
Dwg		XF0288P		REV		A			

