



Chipsmall Limited consists of a professional team with an average of over 10 year of expertise in the distribution of electronic components. Based in Hongkong, we have already established firm and mutual-benefit business relationships with customers from,Europe,America and south Asia,supplying obsolete and hard-to-find components to meet their specific needs.

With the principle of “Quality Parts,Customers Priority,Honest Operation,and Considerate Service”,our business mainly focus on the distribution of electronic components. Line cards we deal with include Microchip,ALPS,ROHM,Xilinx,Pulse,ON,Everlight and Freescale. Main products comprise IC,Modules,Potentiometer,IC Socket,Relay,Connector.Our parts cover such applications as commercial,industrial, and automotives areas.

We are looking forward to setting up business relationship with you and hope to provide you with the best service and solution. Let us make a better world for our industry!



## Contact us

Tel: +86-755-8981 8866 Fax: +86-755-8427 6832

Email & Skype: info@chipsmall.com Web: www.chipsmall.com

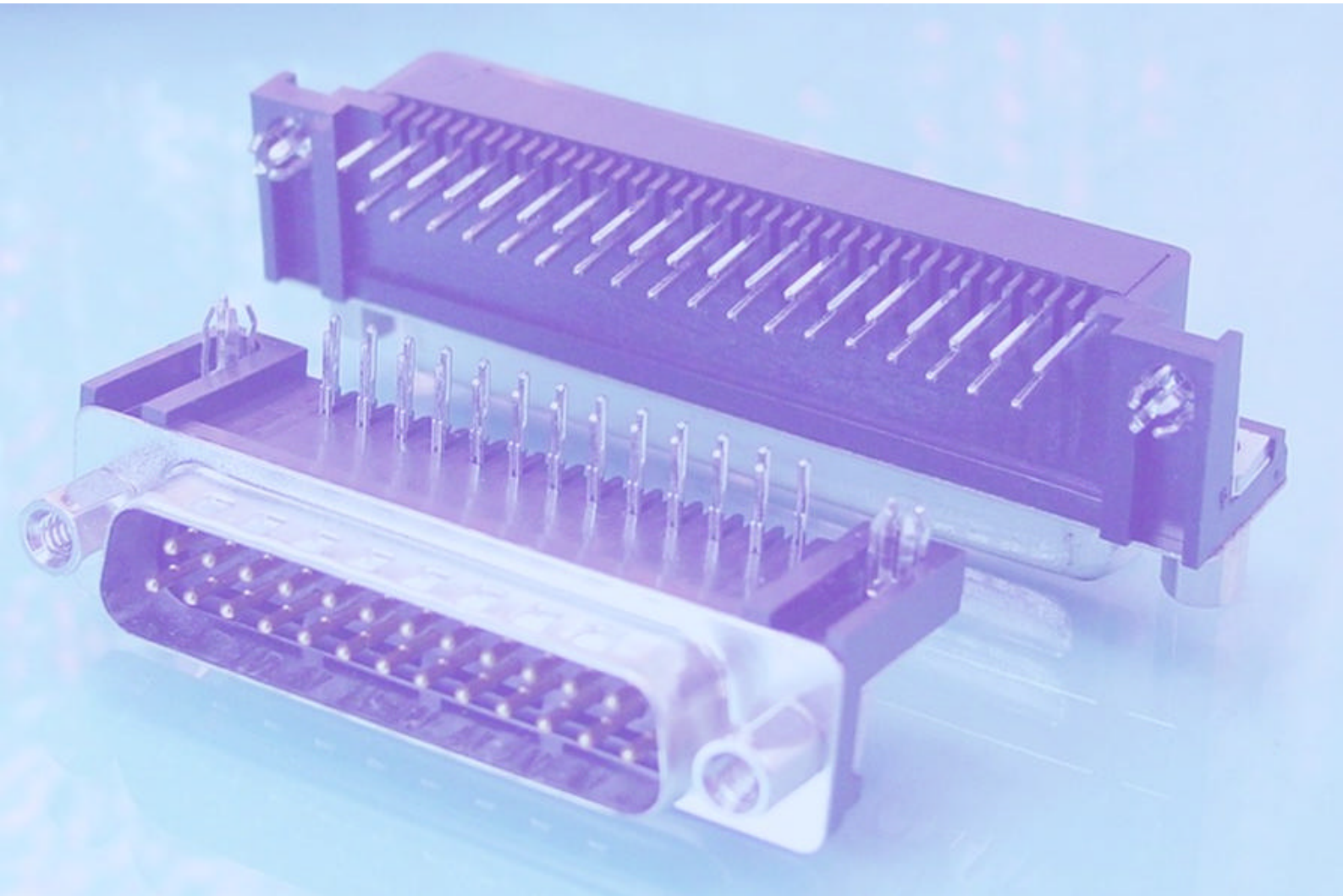
Address: A1208, Overseas Decoration Building, #122 Zhenhua RD., Futian, Shenzhen, China





*Amphenol InfoCom Europe*

***D-Subminiature  
Distribution Catalogue***



**Amphenol**

**Now you're connected!**

## Table of Content

### Standard Density Connectors :

<b>Solder Cup :</b>	
Plug .....	Page 4
Receptacle .....	Page 5
<b>Crimp :</b>	
Plug .....	Page 6
Receptacle .....	Page 7
Male Contact .....	Page 8
Female Contact .....	Page 9
<b>Flat Ribbon IDC :</b>	
Plug .....	Page 10
Receptacle .....	Page 11
<b>Straight PCB :</b>	
Plug Rear Inserts .....	Page 12
Receptacle Rear Inserts .....	Page 13
Plug Front Screwlocks .....	Page 14
Receptacle Front Screwlocks .....	Page 15
<b>Straight PCB Low Profile :</b>	
Plug Rear Inserts .....	Page 16
Receptacle Rear Inserts .....	Page 17
Plug Front Screwlocks .....	Page 18
Receptacle Front Screwlocks .....	Page 19
<b>Right Angle MIL Footprint :</b>	
Plug Rear Inserts .....	Page 20
Receptacle Rear Inserts .....	Page 21
Plug Front Screwlocks .....	Page 22
Receptacle Front Screwlocks .....	Page 23
<b>Right Angle Europe Footprint :</b>	
Plug Rear Inserts .....	Page 24
Receptacle Rear Inserts .....	Page 25
Plug Front Screwlocks .....	Page 26
Receptacle Front Screwlocks .....	Page 27

### High Density Connectors :

<b>Solder Cup :</b>	
Plug .....	Page 28
Receptacle .....	Page 29
<b>Crimp :</b>	
Plug .....	Page 30
Receptacle .....	Page 31
Male Contact .....	Page 32
Female Contact .....	Page 33
<b>Straight PCB :</b>	
Plug Rear Inserts .....	Page 34
Receptacle Rear Inserts .....	Page 35
Plug Front Screwlocks .....	Page 26
Receptacle Front Screwlocks .....	Page 37
<b>Right Angle :</b>	
Plug Rear Inserts .....	Page 38
Receptacle Rear Inserts .....	Page 39
Plug Front Screwlocks .....	Page 40
Receptacle Front Screwlocks .....	Page 41

**Hoods :**

Plastic :

Top Entry ..... Page 42  
side Entry ..... Page 43

Plastic Metallized :

Top Entry ..... Page 44  
side Entry ..... Page 45

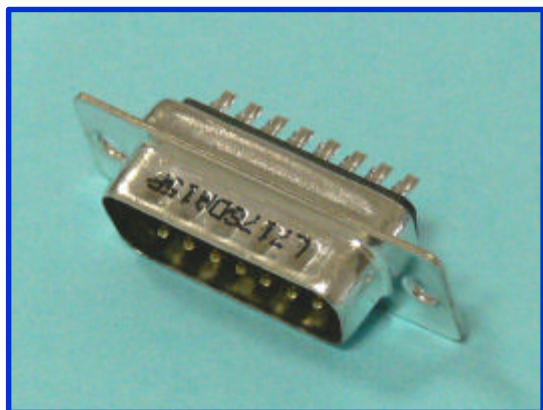
Metallic :

Top Entry ..... Page 46  
side Entry ..... Page 47

**General Information :**

Amphenol D-Subminiature family of connectors offers a wide variety of styles, options and accessories. The products featuring in this catalogue are the basic and economical ones. The different configurations, terminations, mounting options and performance levels will permit you to find the right product you need for most of the applications. All with the highest quality of an Amphenol product.

Plug Solder Cup



Specifications :

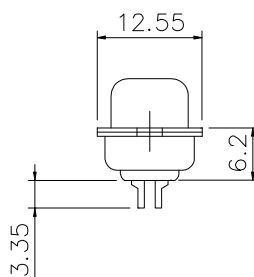
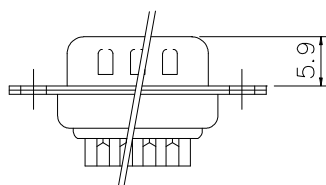
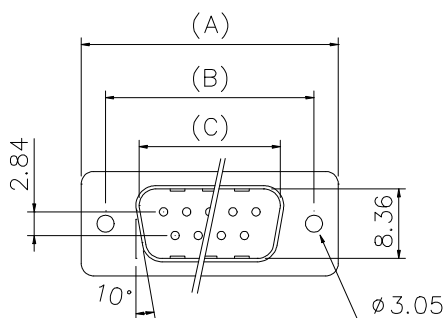
Contact Resistance : 20 m $\Omega$  Max  
 Insulator Resistance : 1000 M $\Omega$  Min at 500V DC  
 Current Rating: 5A  
 Dielectric Withstanding Voltage : 1000V AC for 1 minute  
 Operating Temperature : -55 $^{\circ}$ C to +105 $^{\circ}$ C

Materials :

Contact : Brass  
 Housing : Glass-filled thermoplastic, UL94V-0  
 Shell : Steel, Tin plated

Dimensions :

Nb of Contacts	A	B	C
9	30,89	24,99	16,92
15	39,10	33,32	25,25
25	53,09	47,04	38,96
37	69,40	63,50	55,42



Part Numbers :

Nb of Contacts	Performance Level 3 ( flash Gold )	Performance Level 2 ( 0,38 $\mu$ m Gold )	Performance Level 1 ( 0,76 $\mu$ m Gold )
9	L717SDE09P	L777SDE09P	L717SDE09PC309
15	L717SDA15P	L777SDA15P	L717SDA15PC309
25	L717SDB25P	L777SDB25P	L717SDB25PC309
37	L717SDC37P	L777SDC37P	L717SDC37PC309

Performance levels as per DIN 41 652/IEC 807-3

### Receptacle Solder Cup



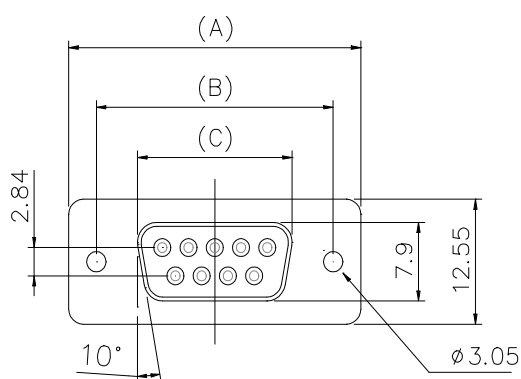
**Specifications :**

Contact Resistance : 20 m $\Omega$  Max  
 Insulator Resistance : 1000 M $\Omega$  Min at 500V DC  
 Current Rating: 5A  
 Dielectric Withstanding Voltage : 1000V AC for 1 minute  
 Operating Temperature : -55 $^{\circ}$ c to +105 $^{\circ}$ c

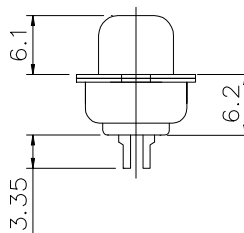
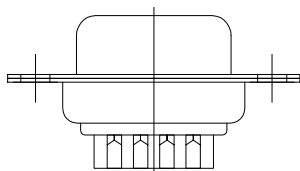
**Materials :**

Contact : Bronze  
 Housing : Glass-filled thermoplastic, UL94V-0  
 Shell : Steel, Tin plated

**Dimensions :**



Nb of Contacts	A	B	C
9	30,89	24,99	16,33
15	39,10	33,32	24,66
25	53,09	47,04	38,38
37	69,40	63,50	54,84



**Part Numbers :**

Nb of Contacts	Performance Level 3 ( flash Gold )	Performance Level 2 ( 0,38 $\mu$ m Gold )	Performance Level 1 ( 0,76 $\mu$ m Gold )
9	L77SDE09S	L177SDE09S	L77SDE09SC309
15	L77SDA15S	L177SDA15S	L77SDA15SC309
25	L77SDB25S	L177SDB25S	L77SDB25SC309
37	L77SDC37S	L177SDC37S	L77SDC37SC309

Performance levels as per DIN 41 652/IEC 807-3

Plug Crimp



Specifications :

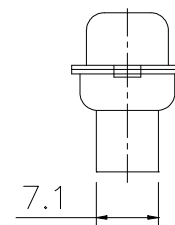
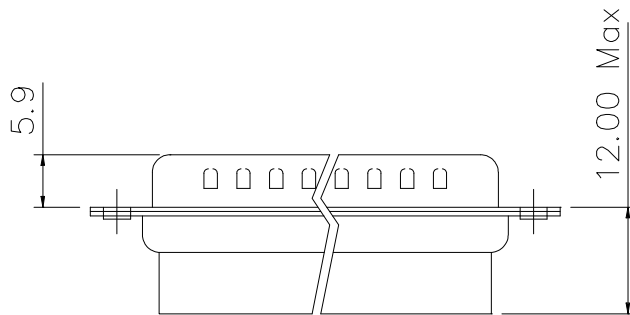
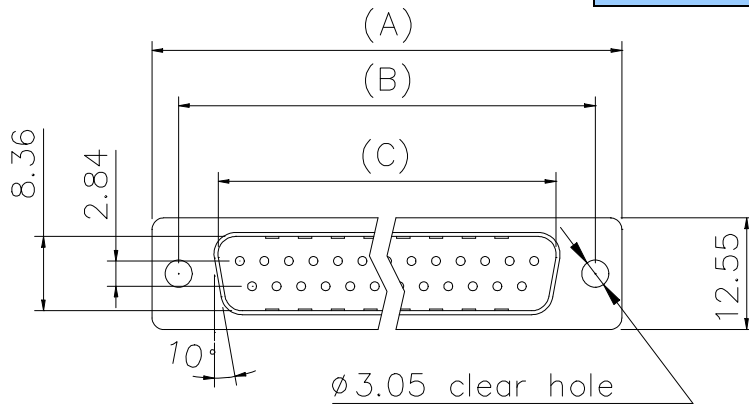
- Contact Resistance : 20 m $\Omega$  Max
- Insulator Resistance : 1000 M $\Omega$  Min at 500V DC
- Current Rating: 3A
- Dielectric Withstanding Voltage : 1000V AC for 1 minute
- Operating Temperature : -55 $^{\circ}$ C to +105 $^{\circ}$ C

Materials :

- Housing : Glass-filled thermoplastic, UL94V-0
- Shell : Steel, Tin plated

Dimensions :

Nb of Contacts	A	B	C
9	30,89	24,99	16,92
15	39,10	33,32	25,25
25	53,09	47,04	38,96
37	69,40	63,50	55,42



Part Numbers :

Nb of Contacts	Part Number
9	L777RRE09P
15	L777RRA15P
25	L777RRB25P
37	L777RRC37P



Receptacle Crimp



Specifications :

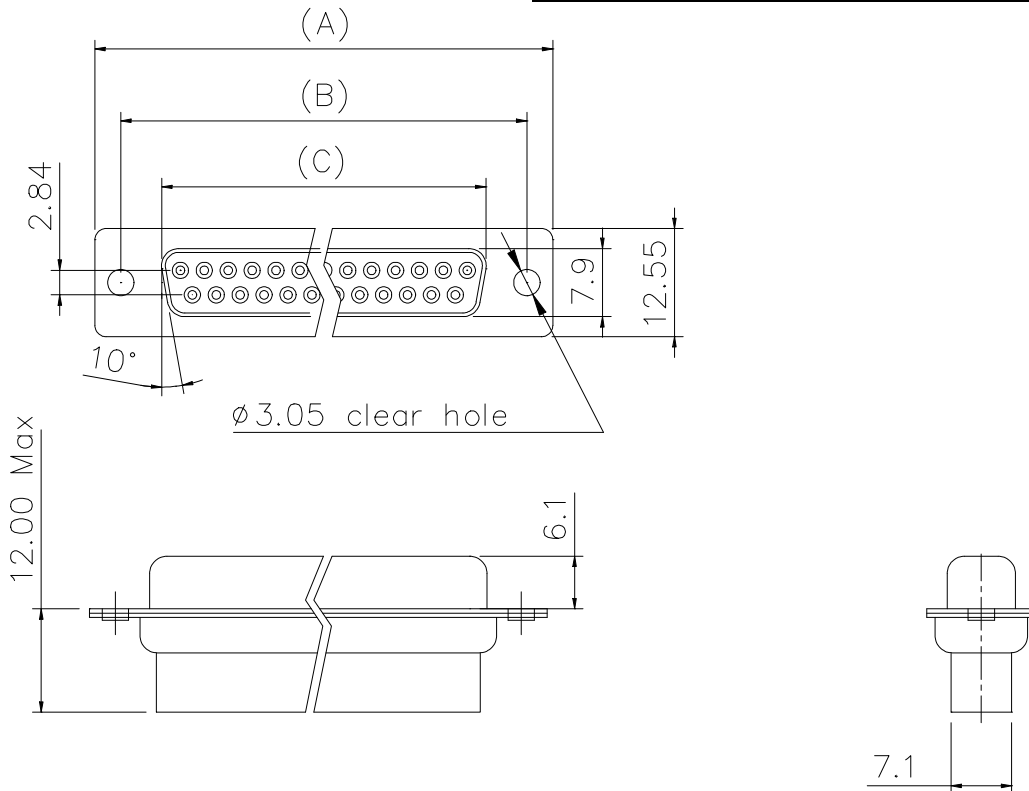
Contact Resistance : 20 m $\Omega$  Max  
 Insulator Resistance : 1000 M $\Omega$  Min at 500V DC  
 Current Rating: 3A  
 Dielectric Withstanding Voltage : 1000V AC for 1 minute  
 Operating Temperature : -55 $^{\circ}$ c to +105 $^{\circ}$ c

Materials :

Housing : Glass-filled thermoplastic, UL94V-0  
 Shell : Steel, Tin plated

Dimensions :

Nb of Contacts	A	B	C
9	30,89	24,99	16,33
15	39,10	33,32	24,66
25	53,09	47,04	38,38
37	69,40	63,50	54,84



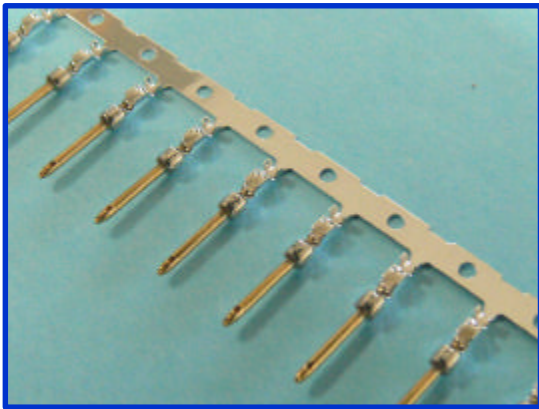
Part Numbers :

Nb of Contacts	Part Number
9	L177RRE09S
15	L177RRA15S
25	L177RRB25S
37	L177RRC37S





Male Crimp Contact



Specifications :

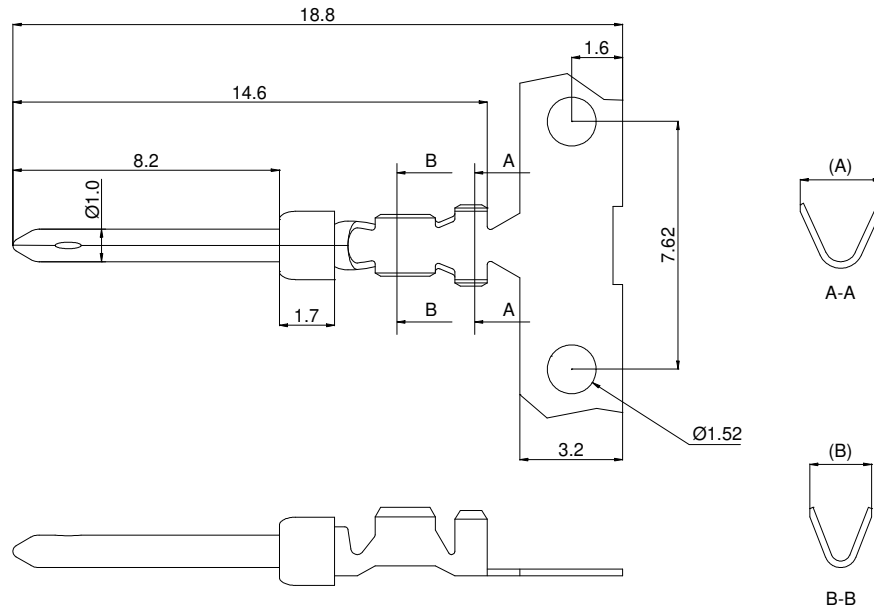
Wire gage : AWG 20-24 & 24-28, solid or stranded wires

Material :

Brass

Dimensions :

Wire Gage	A	B
20-24	2,5	1,9
24-28	1,7	1,5

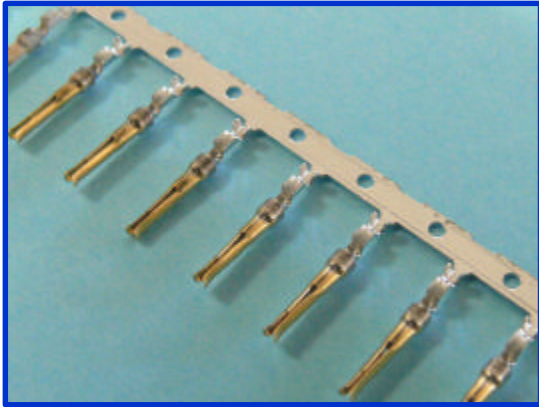


Part Numbers :

Wire gage	Packaging	Plating	Performance Level 3 ( flash Gold )	Performance Level 2 ( 0,38 $\mu$ m Gold )	Performance Level 1 ( 0,76 $\mu$ m Gold )
20-24	100 cts Bulk	Full Gold	L17RRD1M01100	L17RRD1M02100	L17RRD1M04100
		Selective	L17RRD1M11100	L17RRD1M12100	L17RRD1M14100
	reel of 400 cts	Full Gold	L17RRD1M01400	L17RRD1M02400	L17RRD1M04400
		Selective	L17RRD1M11400	L17RRD1M12400	L17RRD1M14400
	reel of 2000 cts	Full Gold	L17RRD1M012K	L17RRD1M022K	L17RRD1M042K
		Selective	L17RRD1M112K	L17RRD1M122K	L17RRD1M142K
	reel of 10000 cts	Full Gold	L17RRD1M0110K	L17RRD1M0210K	L17RRD1M0410K
		Selective	L17RRD1M1110K	L17RRD1M1210K	L17RRD1M1410K
24-28	100 cts Bulk	Full Gold	L17RRD2M01100	L17RRD2M02100	L17RRD2M04100
		Selective	L17RRD2M11100	L17RRD2M12100	L17RRD2M14100
	reel of 400 cts	Full Gold	L17RRD2M01400	L17RRD2M02400	L17RRD2M04400
		Selective	L17RRD2M11400	L17RRD2M12400	L17RRD2M14400
	reel of 2000 cts	Full Gold	L17RRD2M012K	L17RRD2M022K	L17RRD2M042K
		Selective	L17RRD2M112K	L17RRD2M122K	L17RRD2M142K
	reel of 10000 cts	Full Gold	L17RRD2M0110K	L17RRD2M0210K	L17RRD2M0410K
		Selective	L17RRD2M1110K	L17RRD2M1210K	L17RRD2M1410K

Performance levels as per DIN 41 652/IEC 807-3

Female Crimp Contact



Specifications :

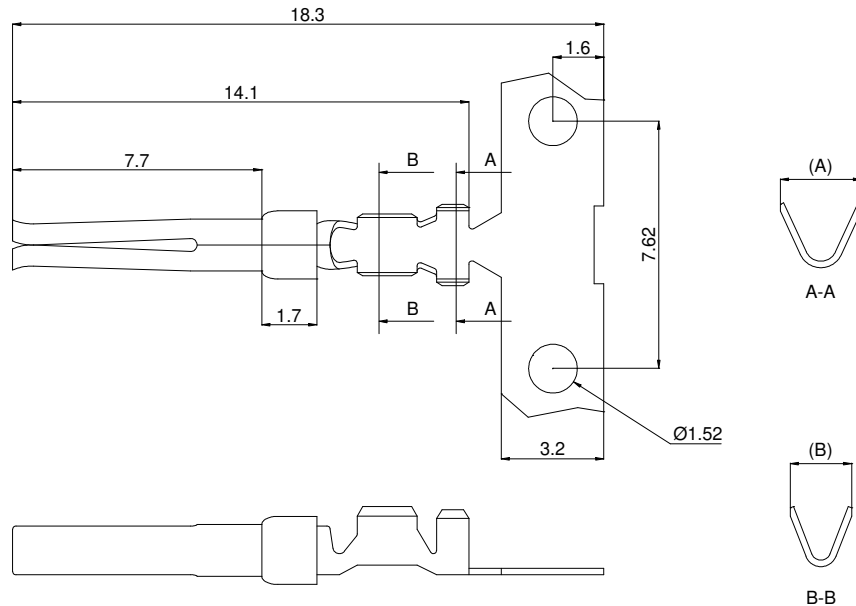
Wire gage : AWG 24-28, solid or stranded wires

Material :

Bronze

Dimensions :

Wire Gage	A	B
20-24	2,5	1,9
24-28	1,7	1,5

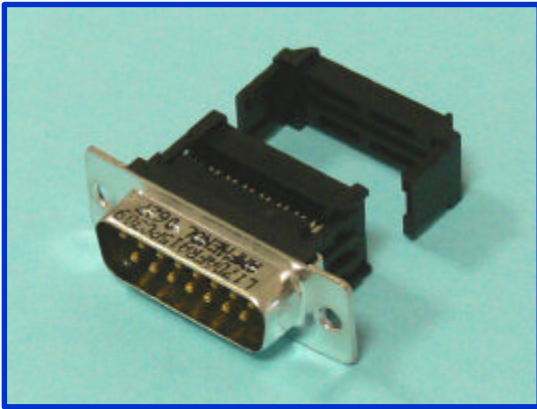


Part Numbers :

Wire gage	Packaging	Plating	Performance Level 3 ( flash Gold )	Performance Level 2 ( 0,38 µm Gold )	Performance Level 1 ( 0,76 µm Gold )
20-24	100 cts Bulk	Full Gold	L17RRD1F01100	L17RRD1F02100	L17RRD1F04100
		Selective	L17RRD1F11100	L17RRD1F12100	L17RRD1F14100
	reel of 400 cts	Full Gold	L17RRD1F01400	L17RRD1F02400	L17RRD1F04400
		Selective	L17RRD1F11400	L17RRD1F12400	L17RRD1F14400
	reel of 2000 cts	Full Gold	L17RRD1F012K	L17RRD1F022K	L17RRD1F042K
		Selective	L17RRD1F112K	L17RRD1F122K	L17RRD1F142K
	reel of 10000 cts	Full Gold	L17RRD1F0110K	L17RRD1F0210K	L17RRD1F0410K
		Selective	L17RRD1F1110K	L17RRD1F1210K	L17RRD1F1410K
24-28	100 cts Bulk	Full Gold	L17RRD2F01100	L17RRD2F02100	L17RRD2F04100
		Selective	L17RRD2F11100	L17RRD2F12100	L17RRD2F14100
	reel of 400 cts	Full Gold	L17RRD2F01400	L17RRD2F02400	L17RRD2F04400
		Selective	L17RRD2F11400	L17RRD2F12400	L17RRD2F14400
	reel of 2000 cts	Full Gold	L17RRD2F012K	L17RRD2F022K	L17RRD2F042K
		Selective	L17RRD2F112K	L17RRD2F122K	L17RRD2F142K
	reel of 10000 cts	Full Gold	L17RRD2F0110K	L17RRD2F0210K	L17RRD2F0410K
		Selective	L17RRD2F1110K	L17RRD2F1210K	L17RRD2F1410K

Performance levels as per DIN 41 652/IEC 807-3

Plug Flat Ribbon IDC



Specifications :

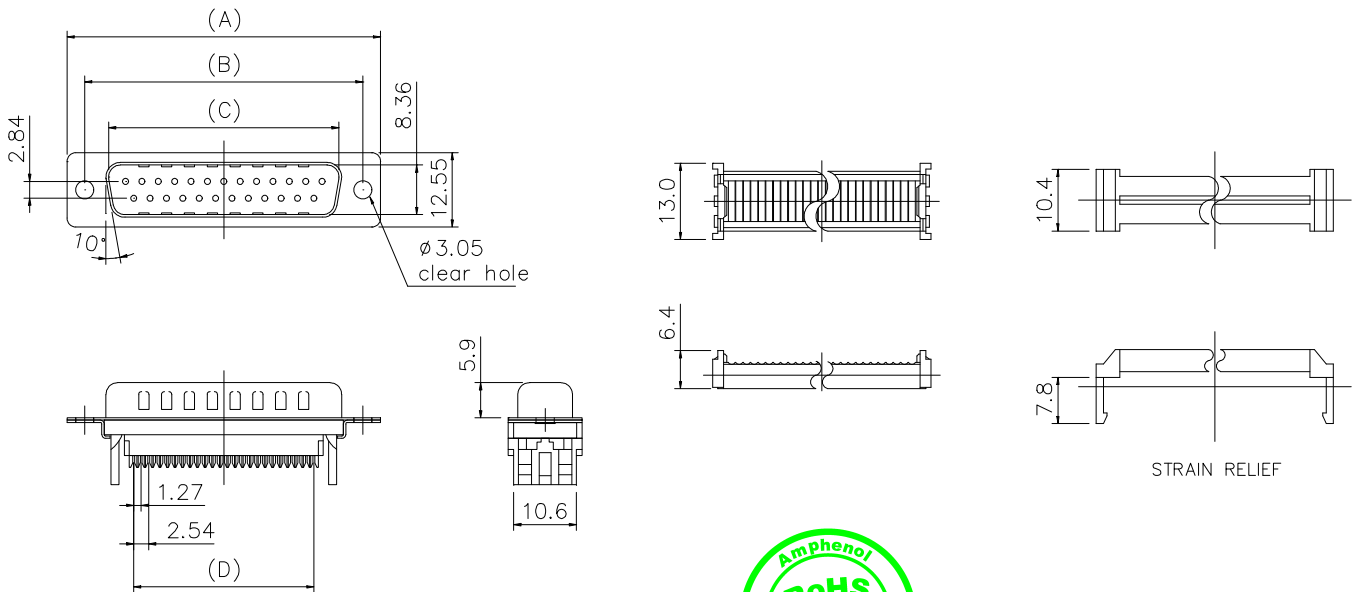
- Contact Resistance : 20 m $\Omega$  Max
- Insulator Resistance : 1000 M $\Omega$  Min at 500V DC
- Current Rating: 5A
- Dielectric Withstanding Voltage : 1000V AC for 1 minute
- Operating Temperature : -55 $^{\circ}$ C to +105 $^{\circ}$ C

Materials :

- Contact : Brass
- Housing : Glass-filled thermoplastic, UL94V-0
- Shell : Steel, Tin plated

Dimensions :

Nb of Contacts	A	B	C	D
9	30,89	24,99	16,92	10,16
15	39,10	33,32	25,25	17,78
25	53,09	47,04	38,96	30,48
37	69,40	63,50	55,42	45,72

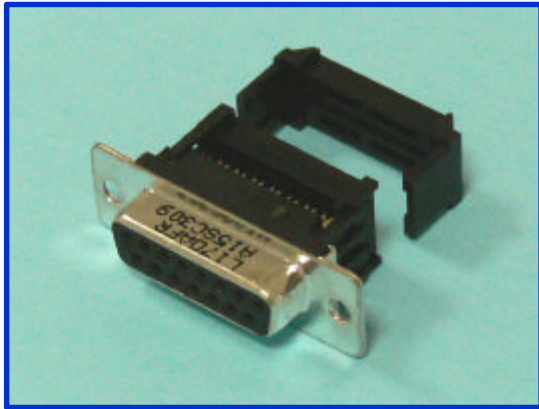


Part Numbers :

Nb of Contacts	Performance Level 3 ( flash Gold )	Performance Level 2 ( 0,38 $\mu$ m Gold )	Performance Level 1 ( 0,76 $\mu$ m Gold )
9	L17DEFRA09P	L117DEFRA09P	L17DEFRA09PC309
15	L17DAFRA15P	L117DAFRA15P	L17DAFRA15PC309
25	L17DBFRA25P	L117DBFRA25P	L17DBFRA25PC309
37	L17DCFRA37P	L117DCFRA37P	L17DCFRA37PC309

Performance levels as per DIN 41 652/IEC 807-3

Receptacle Flat Ribbon IDC



Specifications :

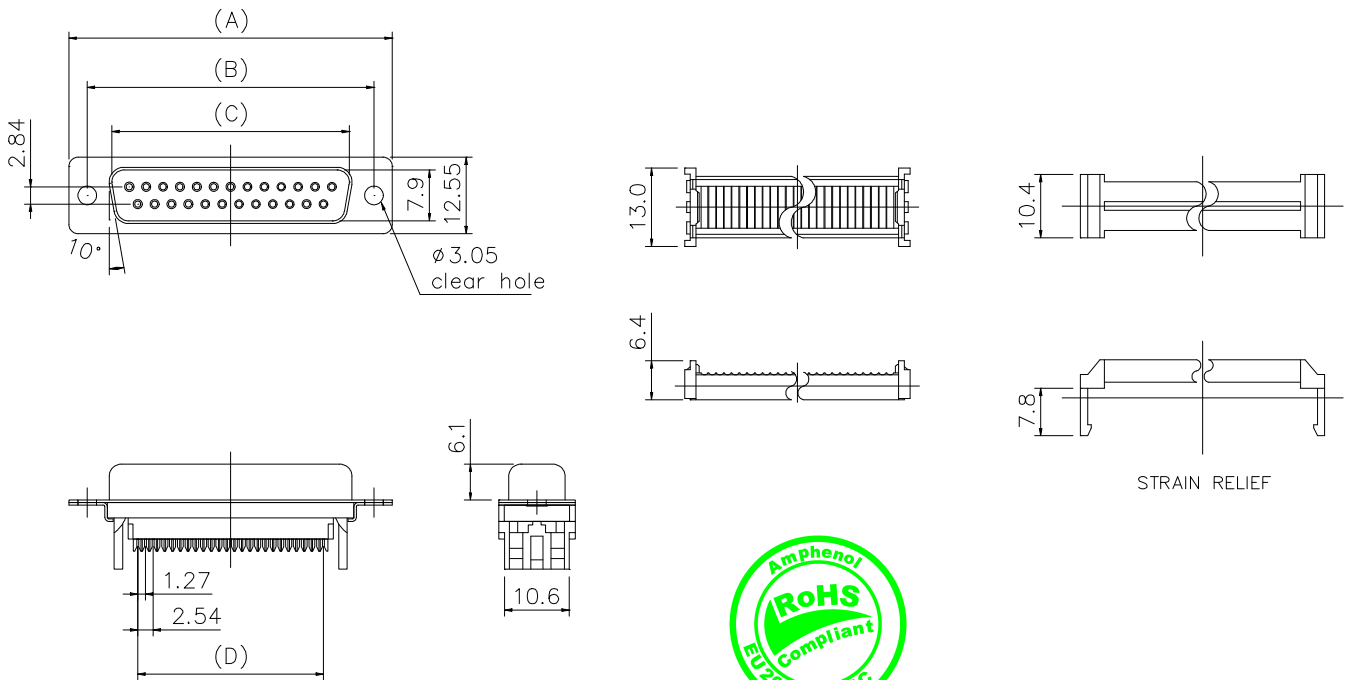
- Contact Resistance : 20 m $\Omega$  Max
- Insulator Resistance : 1000 M $\Omega$  Min at 500V DC
- Current Rating: 5A
- Dielectric Withstanding Voltage : 1000V AC for 1 minute
- Operating Temperature : -55 $^{\circ}$ c to +105 $^{\circ}$ c

Materials :

- Contact : Bronze
- Housing : Glass-filled thermoplastic, UL94V-0
- Shell : Steel, Tin plated

Dimensions :

Nb of Contacts	A	B	C	D
9	30,89	24,99	16,33	10,16
15	39,10	33,32	24,66	17,78
25	53,09	47,04	38,38	30,48
37	69,40	63,50	54,84	45,72



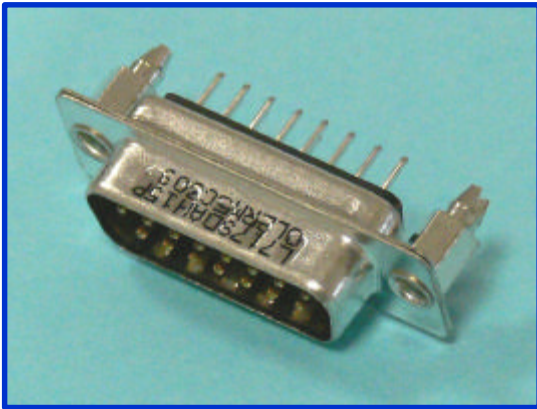
Part Numbers :

Nb of Contacts	Performance Level 3 ( flash Gold )	Performance Level 2 ( 0,38 $\mu$ m Gold )	Performance Level 1 ( 0,76 $\mu$ m Gold )
9	L17DEFRA09S	L117DEFRA09S	L17DEFRA09SC309
15	L17DAFRA15S	L117DAFRA15S	L17DAFRA15SC309
25	L17DBFRA25S	L117DBFRA25S	L17DBFRA25SC309
37	L17DCFRA37S	L117DCFRA37S	L17DCFRA37SC309

Performance levels as per DIN 41 652/IEC 807-3



Plug Straight PCB – Rear Inserts

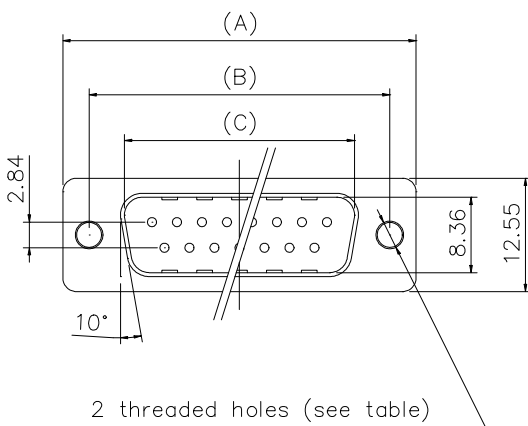


Specifications :

- Contact Resistance : 20 m $\Omega$  Max
- Insulator Resistance : 1000 M $\Omega$  Min at 500V DC
- Current Rating: 5A
- Dielectric Withstanding Voltage : 1000V AC for 1 minute
- Operating Temperature : -55 $^{\circ}$ C to +105 $^{\circ}$ C

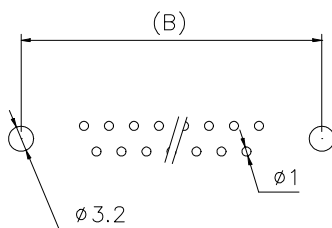
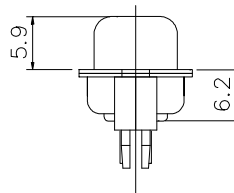
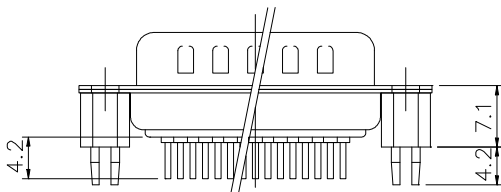
Materials :

- Contact : Brass
- Housing : Glass-filled thermoplastic, UL94V-0
- Shell : Steel, Tin plated



Dimensions :

Nb of Contacts	A	B	C
9	30,89	24,99	16,92
15	39,10	33,32	25,25
25	53,09	47,04	38,96
37	69,40	63,50	55,42



Part Numbers :

Nb of Contacts	Threaded holes	Performance Level 3 ( flash Gold )	Performance Level 2 ( 0,38 $\mu$ m Gold )	Performance Level 1 ( 0,76 $\mu$ m Gold )
9	UNC #4-40	L717SDEH09POL2RM5	L777SDEH09POL2RM5	L717SDEH09POL2RM5C309
	M3	L717SDEG09POL2RM5	L777SDEG09POL2RM5	L717SDEG09POL2RM5C309
15	UNC #4-40	L717SDAH15POL2RM5	L777SDAH15POL2RM5	L717SDAH15POL2RM5C309
	M3	L717SDAG15POL2RM5	L777SDAG15POL2RM5	L717SDAG15POL2RM5C309
25	UNC #4-40	L717SDBH25POL2RM5	L777SDBH25POL2RM5	L717SDBH25POL2RM5C309
	M3	L717SDBG25POL2RM5	L777SDBG25POL2RM5	L717SDBG25POL2RM5C309
37	UNC #4-40	L717SDCH37POL2RM5	L777SDCH37POL2RM5	L717SDCH37POL2RM5C309
	M3	L717SDCG37POL2RM5	L777SDCG37POL2RM5	L717SDCG37POL2RM5C309

Performance levels as per DIN 41 652/IEC 807-3

Receptacle Straight PCB – Rear Inserts

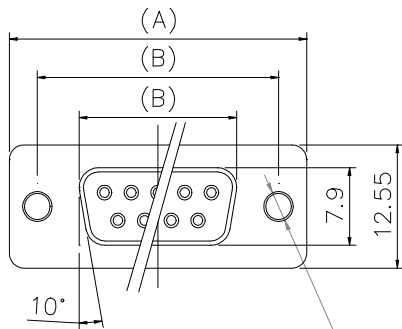


Specifications :

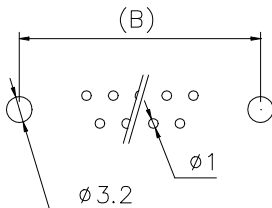
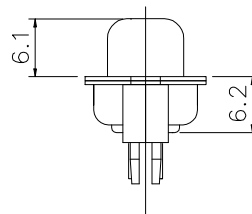
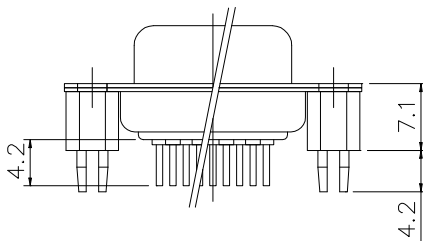
- Contact Resistance : 20 m $\Omega$  Max
- Insulator Resistance : 1000 M $\Omega$  Min at 500V DC
- Current Rating: 5A
- Dielectric Withstanding Voltage : 1000V AC for 1 minute
- Operating Temperature : -55 $^{\circ}$ C to +105 $^{\circ}$ C

Materials :

- Contact : Bronze
- Housing : Glass-filled thermoplastic, UL94V-0
- Shell : Steel, Tin plated



2 threaded holes (see table)



Dimensions :

Nb of Contacts	A	B	C
9	30,89	24,99	16,33
15	39,10	33,32	24,66
25	53,09	47,04	38,38
37	69,40	63,50	54,84

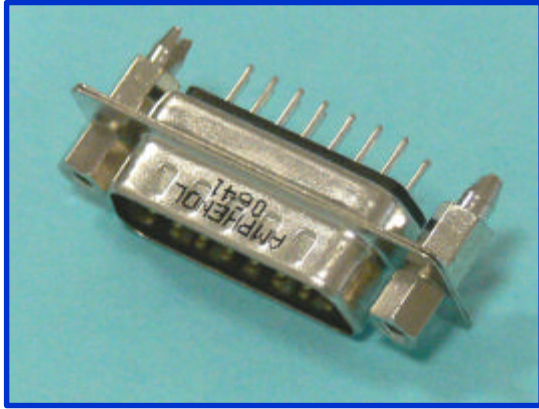


Part Numbers :

Nb of Contacts	Threaded holes	Performance Level 3 ( flash Gold )	Performance Level 2 ( 0,38 $\mu$ m Gold )	Performance Level 1 ( 0,76 $\mu$ m Gold )
9	UNC #4-40	L77SDEH09SOL2RM5	L177SDEH09SOL2RM5	L77SDEH09SOL2RM5C309
	M3	L77SDEG09SOL2RM5	L177SDEG09SOL2RM5	L77SDEG09SOL2RM5C309
15	UNC #4-40	L77SDAH15SOL2RM5	L177SDAH15SOL2RM5	L77SDAH15SOL2RM5C309
	M3	L77SDAG15SOL2RM5	L177SDAG15SOL2RM5	L77SDAG15SOL2RM5C309
25	UNC #4-40	L77SDBH25SOL2RM5	L177SDBH25SOL2RM5	L77SDBH25SOL2RM5C309
	M3	L77SDBG25SOL2RM5	L177SDBG25SOL2RM5	L77SDBG25SOL2RM5C309
37	UNC #4-40	L77SDCH37SOL2RM5	L177SDCH37SOL2RM5	L77SDCH37SOL2RM5C309
	M3	L77SDCG37SOL2RM5	L177SDCG37SOL2RM5	L77SDCG37SOL2RM5C309

Performance levels as per DIN 41 652/IEC 807-3

Plug Straight PCB – Front Screwlocks

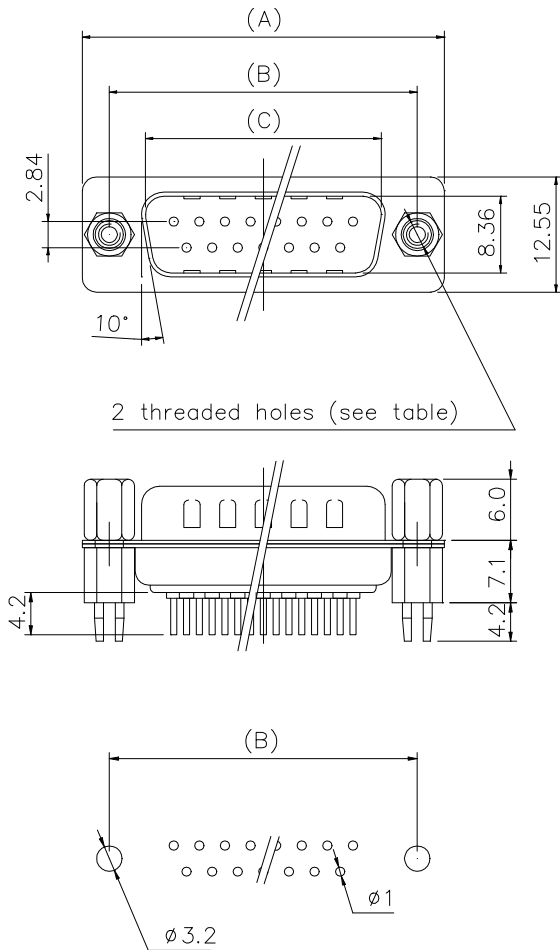


Specifications :

- Contact Resistance : 20 m $\Omega$  Max
- Insulator Resistance : 1000 M $\Omega$  Min at 500V DC
- Current Rating: 5A
- Dielectric Withstanding Voltage : 1000V AC for 1 minute
- Operating Temperature : -55 $^{\circ}$ c to +105 $^{\circ}$ c

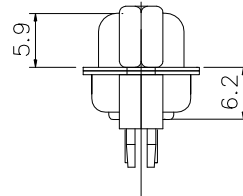
Materials :

- Contact : Brass
- Housing : Glass-filled thermoplastic, UL94V-0
- Shell : Steel, Tin plated



Dimensions :

Nb of Contacts	A	B	C
9	30,89	24,99	16,92
15	39,10	33,32	25,25
25	53,09	47,04	38,96
37	69,40	63,50	55,42

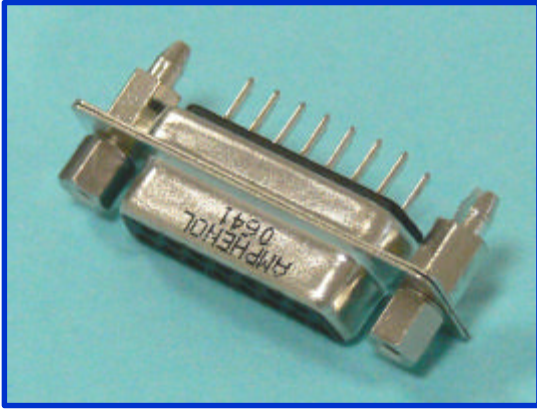


Part Numbers :

Nb of Contacts	Threaded holes	Performance Level 3 ( flash Gold )	Performance Level 2 ( 0,38 $\mu$ m Gold )	Performance Level 1 ( 0,76 $\mu$ m Gold )
9	UNC #4-40	L717SDEH09POL2RM8	L777SDEH09POL2RM8	L717SDEH09POL2RM8C309
	M3	L717SDEG09POL2RM8	L777SDEG09POL2RM8	L717SDEG09POL2RM8C309
15	UNC #4-40	L717SDAH15POL2RM8	L777SDAH15POL2RM8	L717SDAH15POL2RM8C309
	M3	L717SDAG15POL2RM8	L777SDAG15POL2RM8	L717SDAG15POL2RM8C309
25	UNC #4-40	L717SDBH25POL2RM8	L777SDBH25POL2RM8	L717SDBH25POL2RM8C309
	M3	L717SDBG25POL2RM8	L777SDBG25POL2RM8	L717SDBG25POL2RM8C309
37	UNC #4-40	L717SDCH37POL2RM8	L777SDCH37POL2RM8	L717SDCH37POL2RM8C309
	M3	L717SDCG37POL2RM8	L777SDCG37POL2RM8	L717SDCG37POL2RM8C309

Performance levels as per DIN 41 652/IEC 807-3

Receptacle Straight PCB – Front Screwlocks

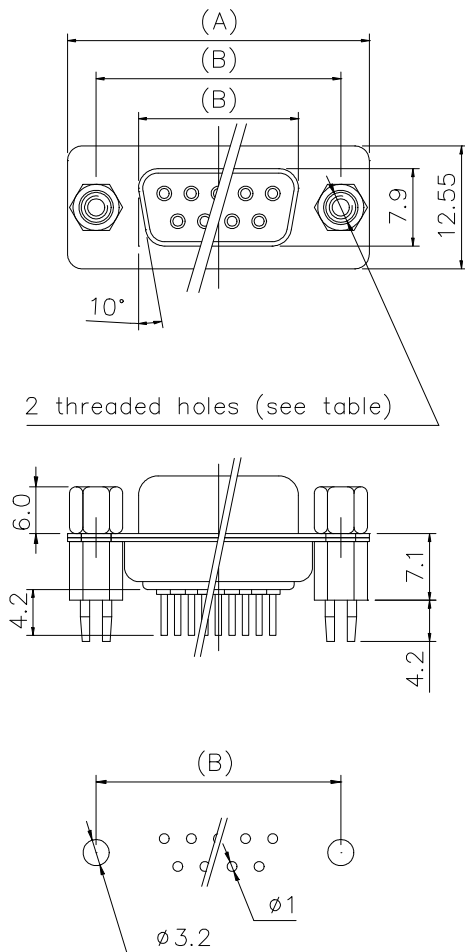


Specifications :

Contact Resistance : 20 m $\Omega$  Max  
 Insulator Resistance : 1000 M $\Omega$  Min at 500V DC  
 Current Rating: 5A  
 Dielectric Withstanding Voltage : 1000V AC for 1 minute  
 Operating Temperature : -55 $^{\circ}$ c to +105 $^{\circ}$ c

Materials :

Contact : Bronze  
 Housing : Glass-filled thermoplastic, UL94V-0  
 Shell : Steel, Tin plated



Dimensions :

Nb of Contacts	A	B	C
9	30,89	24,99	16,33
15	39,10	33,32	24,66
25	53,09	47,04	38,38
37	69,40	63,50	54,84



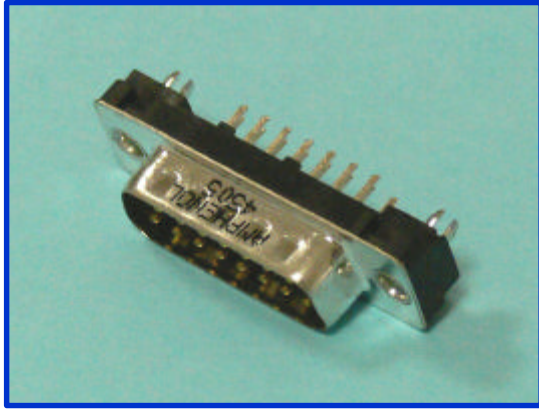
Part Numbers :

Nb of Contacts	Threaded holes	Performance Level 3 (flash Gold)	Performance Level 2 (0,38 $\mu$ m Gold)	Performance Level 1 (0,76 $\mu$ m Gold)
9	UNC #4-40	L77SDEH09SOL2RM8	L177SDEH09SOL2RM8	L77SDEH09SOL2RM8C309
	M3	L77SDEG09SOL2RM8	L177SDEG09SOL2RM8	L77SDEG09SOL2RM8C309
15	UNC #4-40	L77SDAH15SOL2RM8	L177SDAH15SOL2RM8	L77SDAH15SOL2RM8C309
	M3	L77SDAG15SOL2RM8	L177SDAG15SOL2RM8	L77SDAG15SOL2RM8C309
25	UNC #4-40	L77SDBH25SOL2RM8	L177SDBH25SOL2RM8	L77SDBH25SOL2RM8C309
	M3	L77SDBG25SOL2RM8	L177SDBG25SOL2RM8	L77SDBG25SOL2RM8C309
37	UNC #4-40	L77SDCH37SOL2RM8	L177SDCH37SOL2RM8	L77SDCH37SOL2RM8C309
	M3	L77SDCG37SOL2RM8	L177SDCG37SOL2RM8	L77SDCG37SOL2RM8C309

Performance levels as per DIN 41 652/IEC 807-3



Plug Straight PCB Low Profile – Rear Inserts

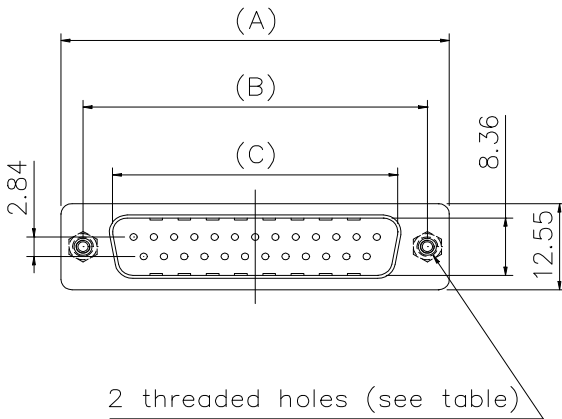


Specifications :

- Contact Resistance : 20 m $\Omega$  Max
- Insulator Resistance : 1000 M $\Omega$  Min at 500V DC
- Current Rating: 5A
- Dielectric Withstanding Voltage : 1000V AC for 1 minute
- Operating Temperature : -55 $^{\circ}$ c to +105 $^{\circ}$ c

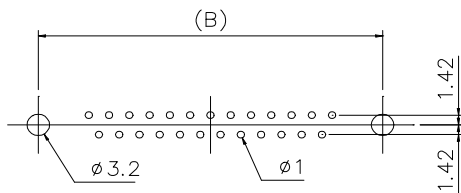
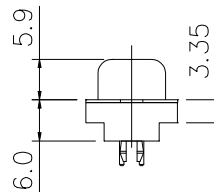
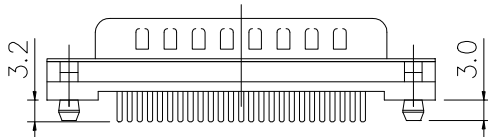
Materials :

- Contact : Brass
- Housing : Glass-filled thermoplastic, UL94V-0
- Shell : Steel, Tin plated



Dimensions :

Nb of Contacts	A	B	C
9	30,89	24,99	16,92
15	39,10	33,32	25,25
25	53,09	47,04	38,96
37	69,40	63,50	55,42

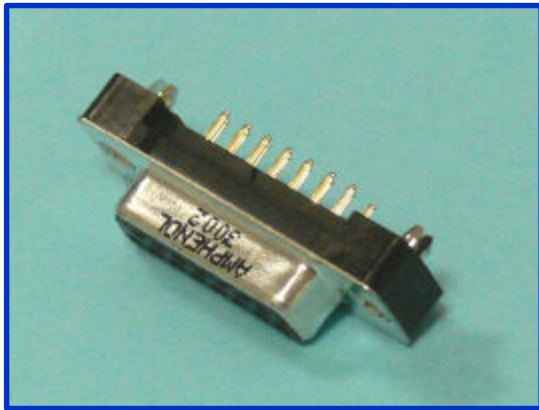


Part Numbers :

Nb of Contacts	Threaded holes	Performance Level 3 (flash Gold)	Performance Level 2 (0,38 $\mu$ m Gold)	Performance Level 1 (0,76 $\mu$ m Gold)
9	UNC #4-40	L717TSEH09POL2RM5	L777TSEH09POL2RM5	L717TSEH09POL2RM5C309
	M3	L717TSEG09POL2RM5	L777TSEG09POL2RM5	L717TSEG09POL2RM5C309
15	UNC #4-40	L717TSAH15POL2RM5	L777TSAH15POL2RM5	L717TSAH15POL2RM5C309
	M3	L717TSAG15POL2RM5	L777TSAG15POL2RM5	L717TSAG15POL2RM5C309
25	UNC #4-40	L717TSBH25POL2RM5	L777TSBH25POL2RM5	L717TSBH25POL2RM5C309
	M3	L717TSBG25POL2RM5	L777TSBG25POL2RM5	L717TSBG25POL2RM5C309
37	UNC #4-40	L717TSCH37POL2RM5	L777TSCH37POL2RM5	L717TSCH37POL2RM5C309
	M3	L717TSCG37POL2RM5	L777TSCG37POL2RM5	L717TSCG37POL2RM5C309

Performance levels as per DIN 41 652/IEC 807-3

Receptacle Straight PCB Low Profile – Rear Inserts

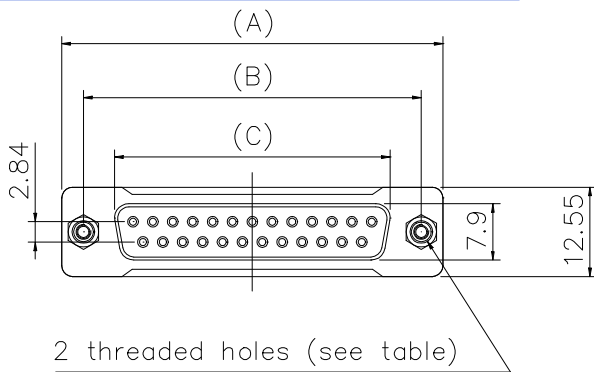


Specifications :

- Contact Resistance : 20 m $\Omega$  Max
- Insulator Resistance : 1000 M $\Omega$  Min at 500V DC
- Current Rating: 5A
- Dielectric Withstanding Voltage : 1000V AC for 1 minute
- Operating Temperature : -55 $^{\circ}$ c to +105 $^{\circ}$ c

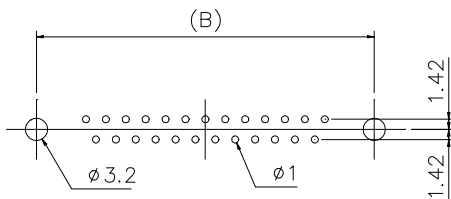
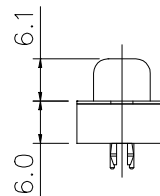
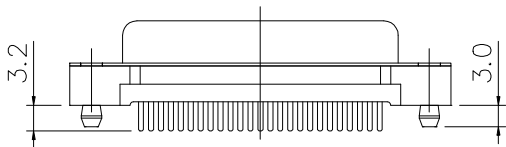
Materials :

- Contact : Bronze
- Housing : Glass-filled thermoplastic, UL94V-0
- Shell : Steel, Tin plated



Dimensions :

Nb of Contacts	A	B	C
9	30,89	24,99	16,33
15	39,10	33,32	24,66
25	53,09	47,04	38,38
37	69,40	63,50	54,84

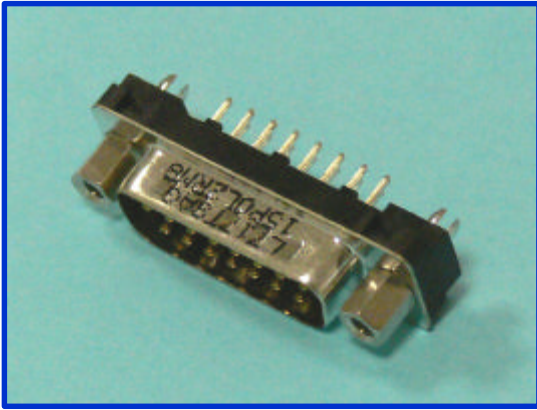


Part Numbers :

Nb of Contacts	Threaded holes	Performance Level 3 ( flash Gold )	Performance Level 2 ( 0,38 $\mu$ m Gold )	Performance Level 1 ( 0,76 $\mu$ m Gold )
9	UNC #4-40	L77TSEH09SOL2RM5	L177TSEH09SOL2RM5	L77TSEH09SOL2RM5C309
	M3	L77TSEG09SOL2RM5	L177TSEG09SOL2RM5	L77TSEG09SOL2RM5C309
15	UNC #4-40	L77TSAH15SOL2RM5	L177TSAH15SOL2RM5	L77TSAH15SOL2RM5C309
	M3	L77TSAG15SOL2RM5	L177TSAG15SOL2RM5	L77TSAG15SOL2RM5C309
25	UNC #4-40	L77TSBH25SOL2RM5	L177TSBH25SOL2RM5	L77TSBH25SOL2RM5C309
	M3	L77TSBG25SOL2RM5	L177TSBG25SOL2RM5	L77TSBG25SOL2RM5C309
37	UNC #4-40	L77TSCH37SOL2RM5	L177TSCH37SOL2RM5	L77TSCH37SOL2RM5C309
	M3	L77TSCG37SOL2RM5	L177TSCG37SOL2RM5	L77TSCG37SOL2RM5C309

Performance levels as per DIN 41 652/IEC 807-3

Plug Straight PCB Low Profile – Front Screwlocks

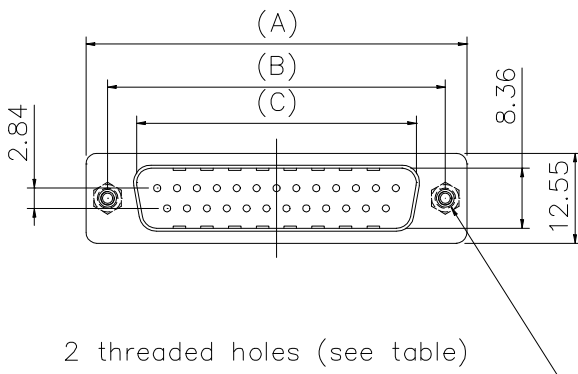


Specifications :

- Contact Resistance : 20 m $\Omega$  Max
- Insulator Resistance : 1000 M $\Omega$  Min at 500V DC
- Current Rating: 5A
- Dielectric Withstanding Voltage : 1000V AC for 1 minute
- Operating Temperature : -55 $^{\circ}$ c to +105 $^{\circ}$ c

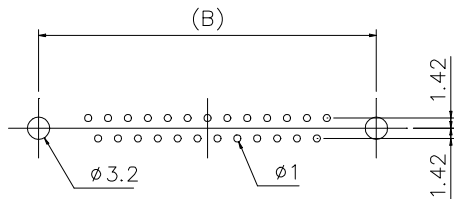
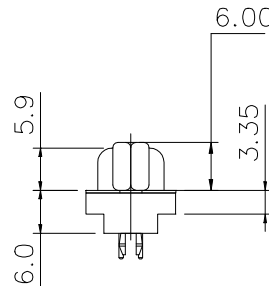
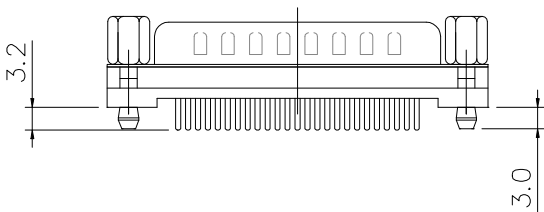
Materials :

- Contact : Brass
- Housing : Glass-filled thermoplastic, UL94V-0
- Shell : Steel, Tin plated



Dimensions :

Nb of Contacts	A	B	C
9	30,89	24,99	16,92
15	39,10	33,32	25,25
25	53,09	47,04	38,96
37	69,40	63,50	55,42

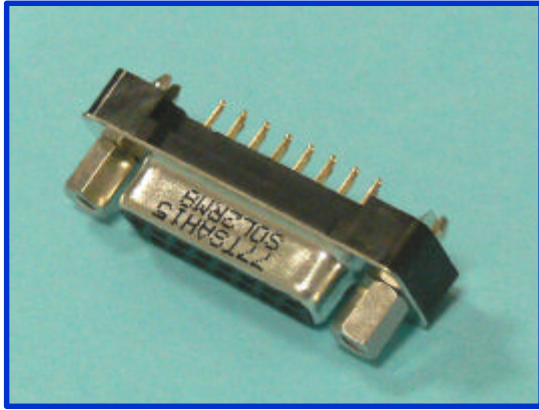


Part Numbers :

Nb of Contacts	Threaded holes	Performance Level 3 ( flash Gold )	Performance Level 2 ( 0,38 $\mu$ m Gold )	Performance Level 1 ( 0,76 $\mu$ m Gold )
9	UNC #4-40	L717TSEH09POL2RM8	L777TSEH09POL2RM8	L717TSEH09POL2RM8C309
	M3	L717TSEG09POL2RM8	L777TSEG09POL2RM8	L717TSEG09POL2RM8C309
15	UNC #4-40	L717TSAH15POL2RM8	L777TSAH15POL2RM8	L717TSAH15POL2RM8C309
	M3	L717TSAG15POL2RM8	L777TSAG15POL2RM8	L717TSAG15POL2RM8C309
25	UNC #4-40	L717TSBH25POL2RM8	L777TSBH25POL2RM8	L717TSBH25POL2RM8C309
	M3	L717TSBG25POL2RM8	L777TSBG25POL2RM8	L717TSBG25POL2RM8C309
37	UNC #4-40	L717TSCH37POL2RM8	L777TSCH37POL2RM8	L717TSCH37POL2RM8C309
	M3	L717TSCG37POL2RM8	L777TSCG37POL2RM8	L717TSCG37POL2RM8C309

Performance levels as per DIN 41 652/IEC 807-3

Receptacle Straight PCB Low Profile – Front Screwlocks

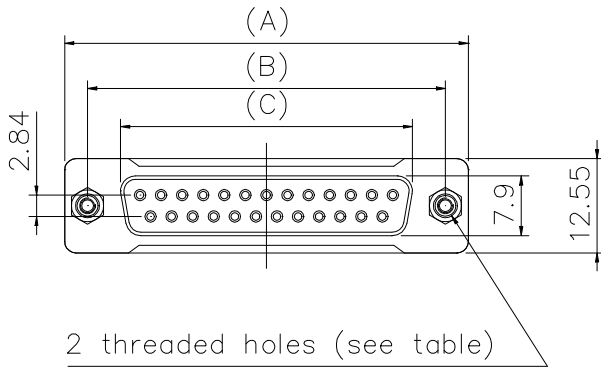


Specifications :

- Contact Resistance : 20 m $\Omega$  Max
- Insulator Resistance : 1000 M $\Omega$  Min at 500V DC
- Current Rating: 5A
- Dielectric Withstanding Voltage : 1000V AC for 1 minute
- Operating Temperature : -55 $^{\circ}$ c to +105 $^{\circ}$ c

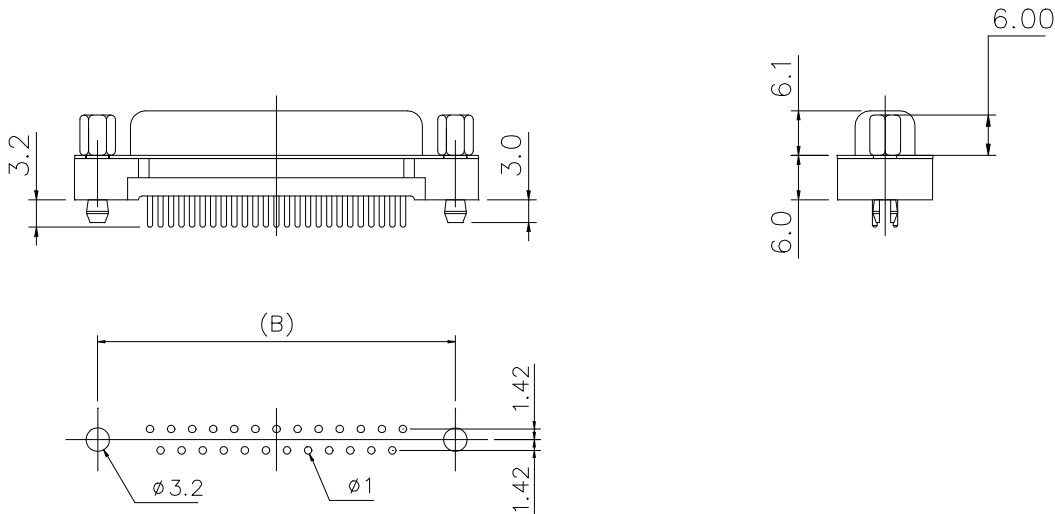
Materials :

- Contact : Bronze
- Housing : Glass-filled thermoplastic, UL94V-0
- Shell : Steel, Tin plated



Dimensions :

Nb of Contacts	A	B	C
9	30,89	24,99	16,33
15	39,10	33,32	24,66
25	53,09	47,04	38,38
37	69,40	63,50	54,84



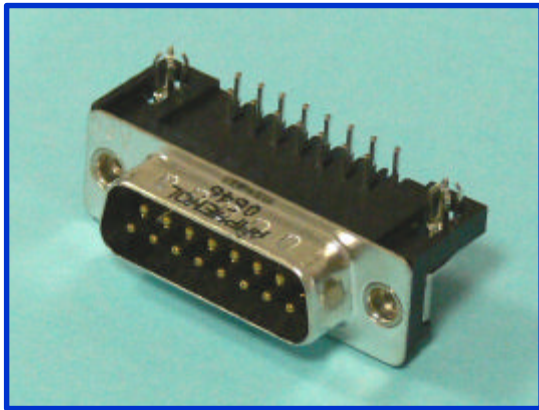
Part Numbers :

Nb of Contacts	Threaded holes	Performance Level 3 ( flash Gold )	Performance Level 2 ( 0,38 $\mu$ m Gold )	Performance Level 1 ( 0,76 $\mu$ m Gold )
9	UNC #4-40	L77TSEH09SOL2RM8	L177TSEH09SOL2RM8	L77TSEH09SOL2RM8C309
	M3	L77TSEG09SOL2RM8	L177TSEG09SOL2RM8	L77TSEG09SOL2RM8C309
15	UNC #4-40	L77TSAH15SOL2RM8	L177TSAH15SOL2RM8	L77TSAH15SOL2RM8C309
	M3	L77TSAG15SOL2RM8	L177TSAG15SOL2RM8	L77TSAG15SOL2RM8C309
25	UNC #4-40	L77TSBH25SOL2RM8	L177TSBH25SOL2RM8	L77TSBH25SOL2RM8C309
	M3	L77TSBG25SOL2RM8	L177TSBG25SOL2RM8	L77TSBG25SOL2RM8C309
37	UNC #4-40	L77TSCH37SOL2RM8	L177TSCH37SOL2RM8	L77TSCH37SOL2RM8C309
	M3	L77TSCG37SOL2RM8	L177TSCG37SOL2RM8	L77TSCG37SOL2RM8C309

Performance levels as per DIN 41 652/IEC 807-3



Plug Right Angle MIL Footprint – Rear Inserts

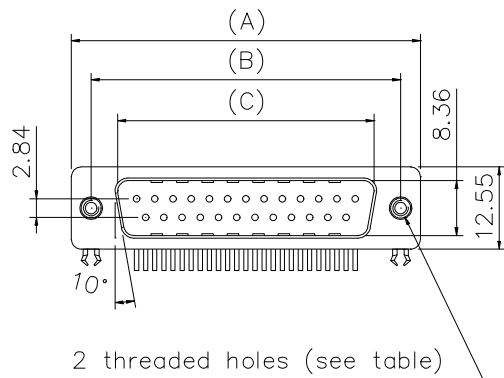


Specifications :

- Contact Resistance : 20 m $\Omega$  Max
- Insulator Resistance : 1000 M $\Omega$  Min at 500V DC
- Current Rating: 5A
- Dielectric Withstanding Voltage : 1000V AC for 1 minute
- Operating Temperature : -55 $^{\circ}$ C to +105 $^{\circ}$ C

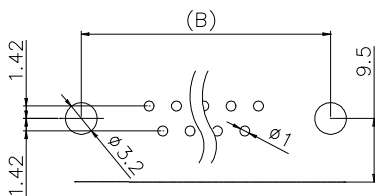
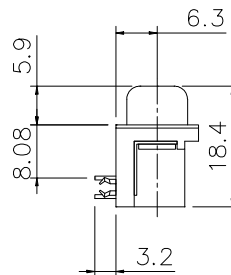
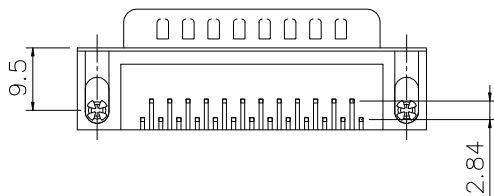
Materials :

- Contact : Brass
- Housing : Glass-filled thermoplastic, UL94V-0
- Shell : Steel, Tin plated



Dimensions :

Nb of Contacts	A	B	C
9	30,89	24,99	16,92
15	39,10	33,32	25,25
25	53,09	47,04	38,96
37	69,40	63,50	55,42

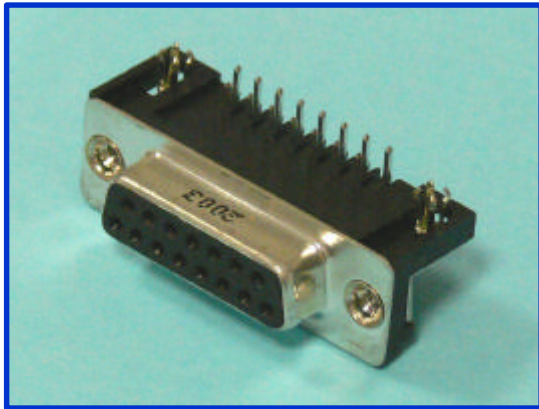


Part Numbers :

Nb of Contacts	Threaded holes	Performance Level 3 ( flash Gold )	Performance Level 2 ( 0,38 $\mu$ m Gold )	Performance Level 1 ( 0,76 $\mu$ m Gold )
9	UNC #4-40	L717SDE09PA4CH4R	L777SDE09PA4CH4R	L717SDE09PA4CH4RC309
	M3	L717SDE09PA4CH3R	L777SDE09PA4CH3R	L717SDE09PA4CH3RC309
15	UNC #4-40	L717SDA15PA4CH4R	L777SDA15PA4CH4R	L717SDA15PA4CH4RC309
	M3	L717SDA15PA4CH3R	L777SDA15PA4CH3R	L717SDA15PA4CH3RC309
25	UNC #4-40	L717SDB25PA4CH4R	L777SDB25PA4CH4R	L717SDB25PA4CH4RC309
	M3	L717SDB25PA4CH3R	L777SDB25PA4CH3R	L717SDB25PA4CH3RC309
37	UNC #4-40	L717SDC37PA4CH4R	L777SDC37PA4CH4R	L717SDC37PA4CH4RC309
	M3	L717SDC37PA4CH3R	L777SDC37PA4CH3R	L717SDC37PA4CH3RC309

Performance levels as per DIN 41 652/IEC 807-3

Receptacle Right Angle MIL Footprint – Rear Inserts

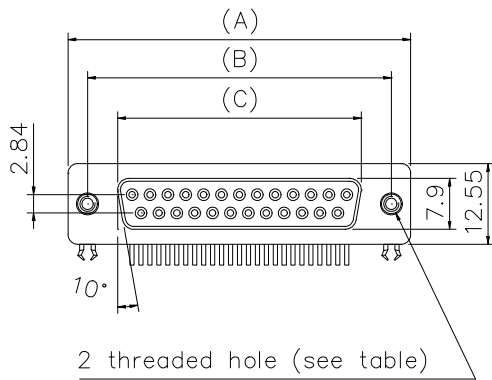


Specifications :

- Contact Resistance : 20 m $\Omega$  Max
- Insulator Resistance : 1000 M $\Omega$  Min at 500V DC
- Current Rating: 5A
- Dielectric Withstanding Voltage : 1000V AC for 1 minute
- Operating Temperature : -55 $^{\circ}$ c to +105 $^{\circ}$ c

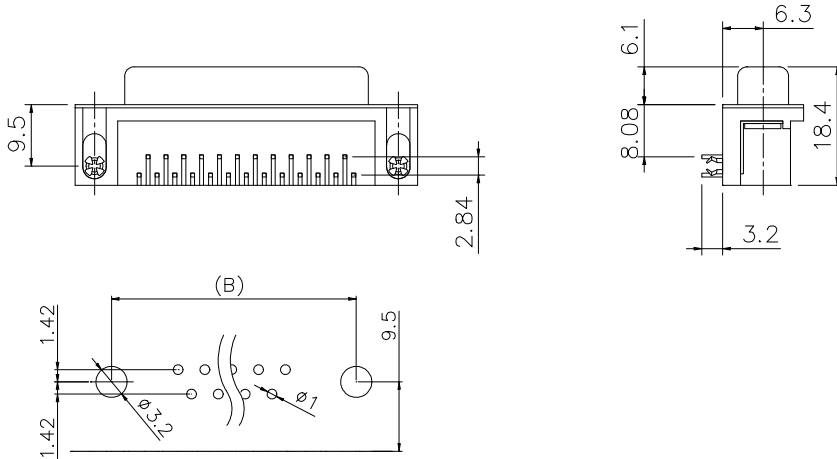
Materials :

- Contact : Bronze
- Housing : Glass-filled thermoplastic, UL94V-0
- Shell : Steel, Tin plated



Dimensions :

Nb of Contacts	A	B	C
9	30,89	24,99	16,33
15	39,10	33,32	24,66
25	53,09	47,04	38,38
37	69,40	63,50	54,84



Part Numbers :

Nb of Contacts	Threaded holes	Performance Level 3 ( flash Gold )	Performance Level 2 ( 0,38 $\mu$ m Gold )	Performance Level 1 ( 0,76 $\mu$ m Gold )
9	UNC #4-40	L77SDE09SA4CH4R	L177SDE09SA4CH4R	L77SDE09SA4CH4RC309
	M3	L77SDE09SA4CH3R	L177SDE09SA4CH3R	L77SDE09SA4CH3RC309
15	UNC #4-40	L77SDA15SA4CH4R	L177SDA15SA4CH4R	L77SDA15SA4CH4RC309
	M3	L77SDA15SA4CH3R	L177SDA15SA4CH3R	L77SDA15SA4CH3RC309
25	UNC #4-40	L77SDB25SA4CH4R	L177SDB25SA4CH4R	L77SDB25SA4CH4RC309
	M3	L77SDB25SA4CH3R	L177SDB25SA4CH3R	L77SDB25SA4CH3RC309
37	UNC #4-40	L77SDC37SA4CH4R	L177SDC37SA4CH4R	L77SDC37SA4CH4RC309
	M3	L77SDC37SA4CH3R	L177SDC37SA4CH3R	L77SDC37SA4CH3RC309

Performance levels as per DIN 41 652/IEC 807-3

Plug Right Angle MIL Footprint – Front Screwlocks

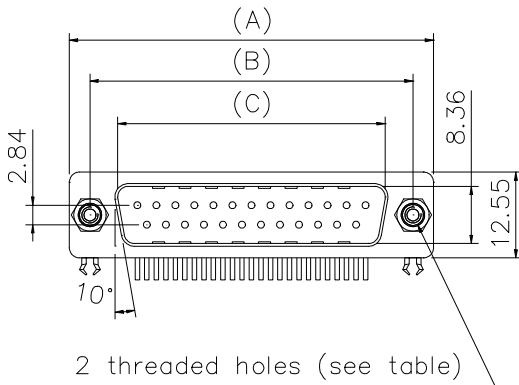


Specifications :

- Contact Resistance : 20 m $\Omega$  Max
- Insulator Resistance : 1000 M $\Omega$  Min at 500V DC
- Current Rating: 5A
- Dielectric Withstanding Voltage : 1000V AC for 1 minute
- Operating Temperature : -55 $^{\circ}$ C to +105 $^{\circ}$ C

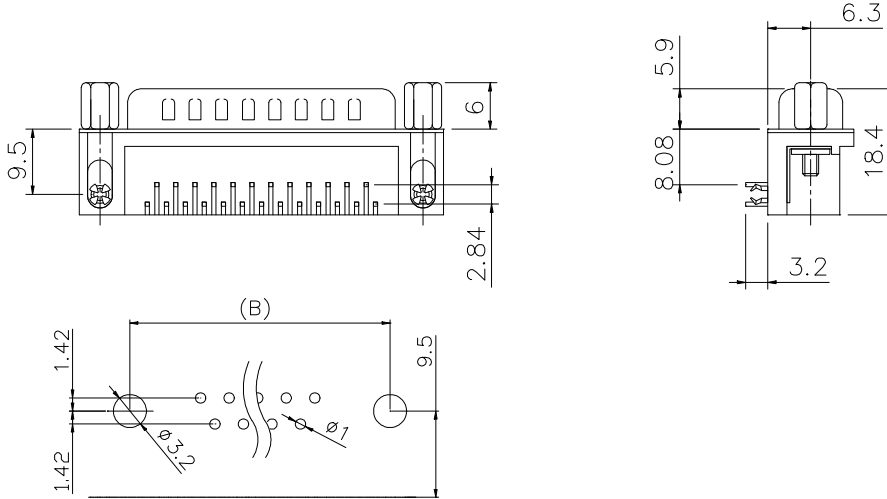
Materials :

- Contact : Brass
- Housing : Glass-filled thermoplastic, UL94V-0
- Shell : Steel, Tin plated



Dimensions :

Nb of Contacts	A	B	C
9	30,89	24,99	16,92
15	39,10	33,32	25,25
25	53,09	47,04	38,96
37	69,40	63,50	55,42

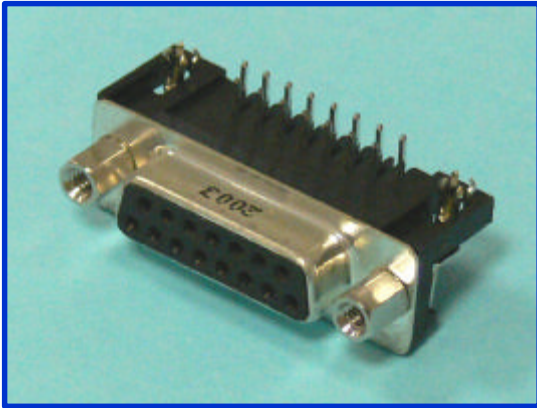


Part Numbers :

Nb of Contacts	Threaded holes	Performance Level 3 ( flash Gold )	Performance Level 2 ( 0,38 $\mu$ m Gold )	Performance Level 1 ( 0,76 $\mu$ m Gold )
9	UNC #4-40	L717SDE09PA4CH4F	L777SDE09PA4CH4F	L717SDE09PA4CH4FC309
	M3	L717SDE09PA4CH3F	L777SDE09PA4CH3F	L717SDE09PA4CH3FC309
15	UNC #4-40	L717SDA15PA4CH4F	L777SDA15PA4CH4F	L717SDA15PA4CH4FC309
	M3	L717SDA15PA4CH3F	L777SDA15PA4CH3F	L717SDA15PA4CH3FC309
25	UNC #4-40	L717SDB25PA4CH4F	L777SDB25PA4CH4F	L717SDB25PA4CH4FC309
	M3	L717SDB25PA4CH3F	L777SDB25PA4CH3F	L717SDB25PA4CH3FC309
37	UNC #4-40	L717SDC37PA4CH4F	L777SDC37PA4CH4F	L717SDC37PA4CH4FC309
	M3	L717SDC37PA4CH3F	L777SDC37PA4CH3F	L717SDC37PA4CH3FC309

Performance levels as per DIN 41 652/IEC 807-3

Receptacle Right Angle MIL Footprint – Front Screwlocks

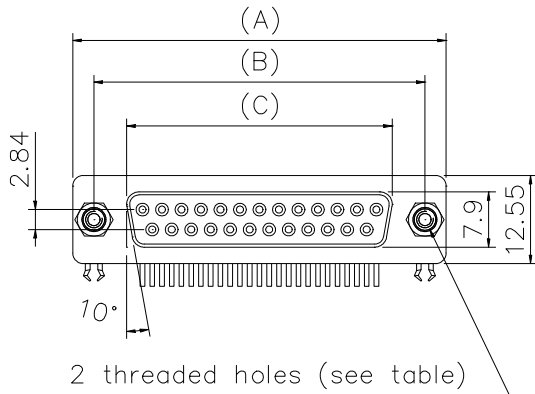


Specifications :

- Contact Resistance : 20 m $\Omega$  Max
- Insulator Resistance : 1000 M $\Omega$  Min at 500V DC
- Current Rating: 5A
- Dielectric Withstanding Voltage : 1000V AC for 1 minute
- Operating Temperature : -55 $^{\circ}$ c to +105 $^{\circ}$ c

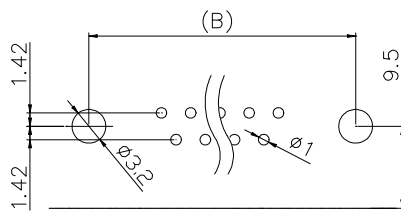
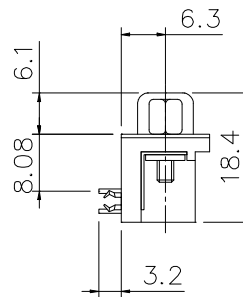
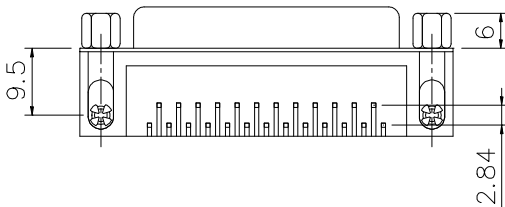
Materials :

- Contact : Bronze
- Housing : Glass-filled thermoplastic, UL94V-0
- Shell : Steel, Tin plated



Dimensions :

Nb of Contacts	A	B	C
9	30,89	24,99	16,33
15	39,10	33,32	24,66
25	53,09	47,04	38,38
37	69,40	63,50	54,84

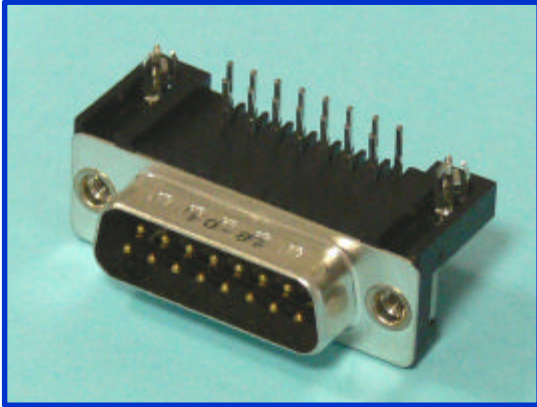


Part Numbers :

Nb of Contacts	Threaded holes	Performance Level 3 ( flash Gold )	Performance Level 2 ( 0,38 $\mu$ m Gold )	Performance Level 1 ( 0,76 $\mu$ m Gold )
9	UNC #4-40	L77SDE09SA4CH4F	L177SDE09SA4CH4F	L77SDE09SA4CH4FC309
	M3	L77SDE09SA4CH3F	L177SDE09SA4CH3F	L77SDE09SA4CH3FC309
15	UNC #4-40	L77SDA15SA4CH4F	L177SDA15SA4CH4F	L77SDA15SA4CH4FC309
	M3	L77SDA15SA4CH3F	L177SDA15SA4CH3F	L77SDA15SA4CH3FC309
25	UNC #4-40	L77SDB25SA4CH4F	L177SDB25SA4CH4F	L77SDB25SA4CH4FC309
	M3	L77SDB25SA4CH3F	L177SDB25SA4CH3F	L77SDB25SA4CH3FC309
37	UNC #4-40	L77SDC37SA4CH4F	L177SDC37SA4CH4F	L77SDC37SA4CH4FC309
	M3	L77SDC37SA4CH3F	L177SDC37SA4CH3F	L77SDC37SA4CH3FC309

Performance levels as per DIN 41 652/IEC 807-3

Plug Right Angle Europe Footprint – Rear Inserts

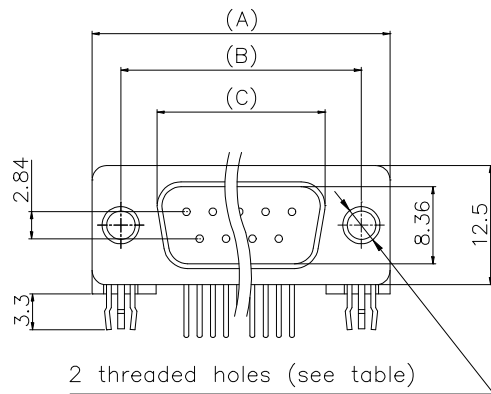


Specifications :

Contact Resistance : 20 m $\Omega$  Max  
 Insulator Resistance : 1000 M $\Omega$  Min at 500V DC  
 Current Rating: 5A  
 Dielectric Withstanding Voltage : 1000V AC for 1 minute  
 Operating Temperature : -55 $^{\circ}$ C to +105 $^{\circ}$ C

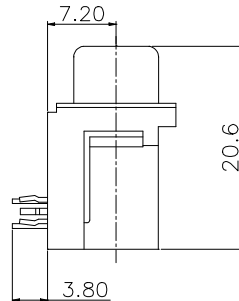
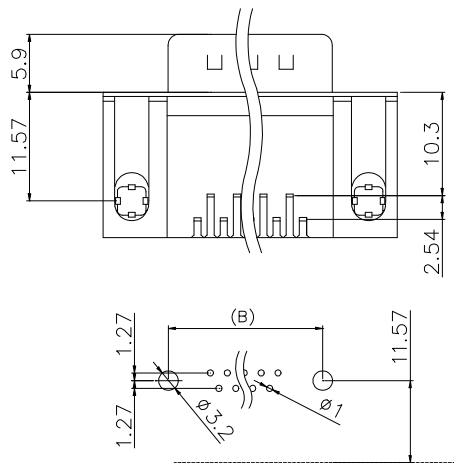
Materials :

Contact : Brass  
 Housing : Glass-filled thermoplastic, UL94V-0  
 Shell : Steel, Tin plated



Dimensions :

Nb of Contacts	A	B	C
9	30,89	24,99	16,92
15	39,10	33,32	25,25
25	53,09	47,04	38,96
37	69,40	63,50	55,42



Part Numbers :

Nb of Contacts	Threaded holes	Performance Level 3 ( flash Gold )	Performance Level 2 ( 0,38 $\mu$ m Gold )	Performance Level 1 ( 0,76 $\mu$ m Gold )
9	UNC #4-40	L717SDE09P1ACH4R	L777SDE09P1ACH4R	L717SDE09P1ACH4RC309
	M3	L717SDE09P1ACH3R	L777SDE09P1ACH3R	L717SDE09P1ACH3RC309
15	UNC #4-40	L717SDA15P1ACH4R	L777SDA15P1ACH4R	L717SDA15P1ACH4RC309
	M3	L717SDA15P1ACH3R	L777SDA15P1ACH3R	L717SDA15P1ACH3RC309
25	UNC #4-40	L717SDB25P1ACH4R	L777SDB25P1ACH4R	L717SDB25P1ACH4RC309
	M3	L717SDB25P1ACH3R	L777SDB25P1ACH3R	L717SDB25P1ACH3RC309
37	UNC #4-40	L717SDC37P1ACH4R	L777SDC37P1ACH4R	L717SDC37P1ACH4RC309
	M3	L717SDC37P1ACH3R	L777SDC37P1ACH3R	L717SDC37P1ACH3RC309

Performance levels as per DIN 41 652/IEC 807-3



Receptacle Right Angle Europe Footprint – Rear Inserts

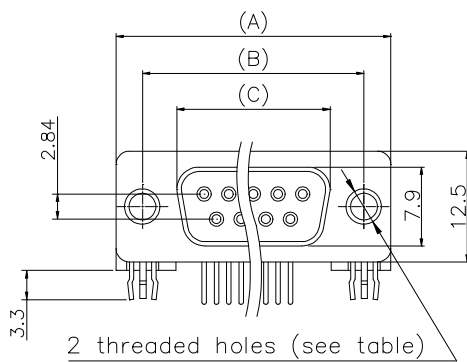


Specifications :

Contact Resistance : 20 m $\Omega$  Max  
 Insulator Resistance : 1000 M $\Omega$  Min at 500V DC  
 Current Rating: 5A  
 Dielectric Withstanding Voltage : 1000V AC for 1 minute  
 Operating Temperature : -55 $^{\circ}$ c to +105 $^{\circ}$ c

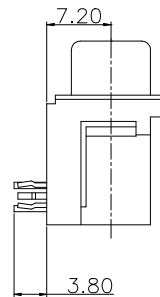
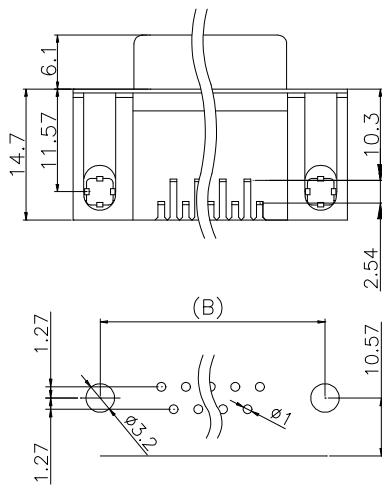
Materials :

Contact : Bronze  
 Housing : Glass-filled thermoplastic, UL94V-0  
 Shell : Steel, Tin plated



Dimensions :

Nb of Contacts	A	B	C
9	30,89	24,99	16,33
15	39,10	33,32	24,66
25	53,09	47,04	38,38
37	69,40	63,50	54,84



Part Numbers :

Nb of Contacts	Threaded holes	Performance Level 3 ( flash Gold )	Performance Level 2 ( 0,38 $\mu$ m Gold )	Performance Level 1 ( 0,76 $\mu$ m Gold )
9	UNC #4-40	L77SDE09S1ACH4R	L177SDE09S1ACH4R	L77SDE09S1ACH4RC309
	M3	L77SDE09S1ACH3R	L177SDE09S1ACH3R	L77SDE09S1ACH3RC309
15	UNC #4-40	L77SDA15S1ACH4R	L177SDA15S1ACH4R	L77SDA15S1ACH4RC309
	M3	L77SDA15S1ACH3R	L177SDA15S1ACH3R	L77SDA15S1ACH3RC309
25	UNC #4-40	L77SDB25S1ACH4R	L177SDB25S1ACH4R	L77SDB25S1ACH4RC309
	M3	L77SDB25S1ACH3R	L177SDB25S1ACH3R	L77SDB25S1ACH3RC309
37	UNC #4-40	L77SDC37S1ACH4R	L177SDC37S1ACH4R	L77SDC37S1ACH4RC309
	M3	L77SDC37S1ACH3R	L177SDC37S1ACH3R	L77SDC37S1ACH3RC309

Performance levels as per DIN 41 652/IEC 807-3