



Chipsmall Limited consists of a professional team with an average of over 10 year of expertise in the distribution of electronic components. Based in Hongkong, we have already established firm and mutual-benefit business relationships with customers from,Europe,America and south Asia,supplying obsolete and hard-to-find components to meet their specific needs.

With the principle of “Quality Parts,Customers Priority,Honest Operation,and Considerate Service”,our business mainly focus on the distribution of electronic components. Line cards we deal with include Microchip,ALPS,ROHM,Xilinx,Pulse,ON,Everlight and Freescale. Main products comprise IC,Modules,Potentiometer,IC Socket,Relay,Connector.Our parts cover such applications as commercial,industrial, and automotives areas.

We are looking forward to setting up business relationship with you and hope to provide you with the best service and solution. Let us make a better world for our industry!



## Contact us

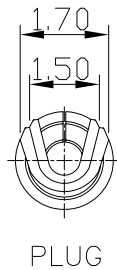
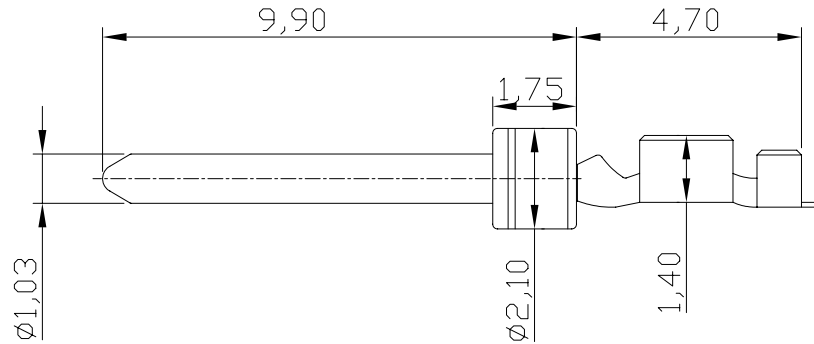
Tel: +86-755-8981 8866 Fax: +86-755-8427 6832

Email & Skype: info@chipsmall.com Web: www.chipsmall.com

Address: A1208, Overseas Decoration Building, #122 Zhenhua RD., Futian, Shenzhen, China



This document is the property of Amphenol Corporation and is delivered on the express condition that it is not to be disclosed, reproduced or used, in whole or in part, for manufacture or sale by anyone other than Amphenol Corporation without its prior consent, & that no right is granted to disclose or to use any information in this document.



REVISIONS				
SYM	ECN	DESCRIPTION	DATE	APPROVED
A			12/19/07	

**D-SUB TECHNICAL DATA**

**CONTACTS:**

Material: Brass

Finishes: gold flash on full contact.

Contact current rating: 3A

Contact resistance: 20 mOhms max.

**PRODUCT CODE**

**L 17 RR D2 M 01 100**

L: RoHS Compliance

Wire size:  
D2=24 to 28 AWG

Contact type:  
M=male

Packaging:  
100=bulkpack unit  
(100cts)

Selective gold plating:  
01= Gold flash

UNLESS OTHERWISE SPECIFIED		APPROVAL	DATE
TOLERANCES		DRAWN	Christine.cui 12/19/07
U.S.	METRIC	CHECKED	lik.wang 12/19/07
.X	+/-	CHECKED	
.XX	+/-		
.XXX	+/-		
FRACTIONS	+/-		
ANGLES	+/-		
FOR MATERIALS AND FINISHES		DRAWING FILE :	
SEE NOTES			
REMOVE SHARP EDGES		ANGLE OF PROJECTION	
DIMENSIONS			
U.S.	INCHES		
METRIC	MM		

Amphenol

TITLE		
CONTACTS, RR series		
SIZE	DRAWING NO.	REV.
A4	C L17RRD2M01100	A
SCALE	NONE	SHEET 1 OF 1