



Chipsmall Limited consists of a professional team with an average of over 10 year of expertise in the distribution of electronic components. Based in Hongkong, we have already established firm and mutual-benefit business relationships with customers from,Europe,America and south Asia,supplying obsolete and hard-to-find components to meet their specific needs.

With the principle of “Quality Parts,Customers Priority,Honest Operation,and Considerate Service”,our business mainly focus on the distribution of electronic components. Line cards we deal with include Microchip,ALPS,ROHM,Xilinx,Pulse,ON,Everlight and Freescale. Main products comprise IC,Modules,Potentiometer,IC Socket,Relay,Connector.Our parts cover such applications as commercial,industrial, and automotives areas.

We are looking forward to setting up business relationship with you and hope to provide you with the best service and solution. Let us make a better world for our industry!



Contact us

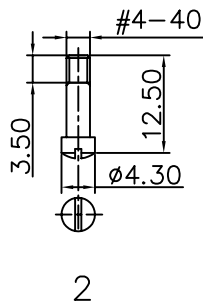
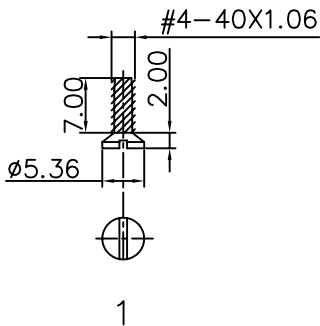
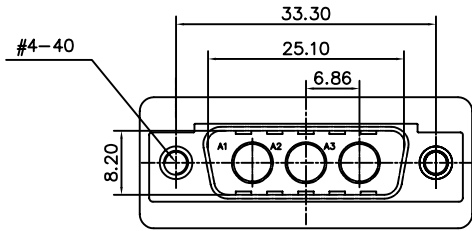
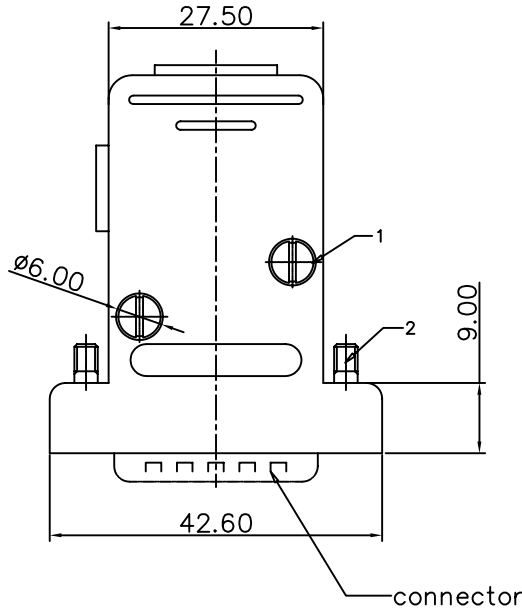
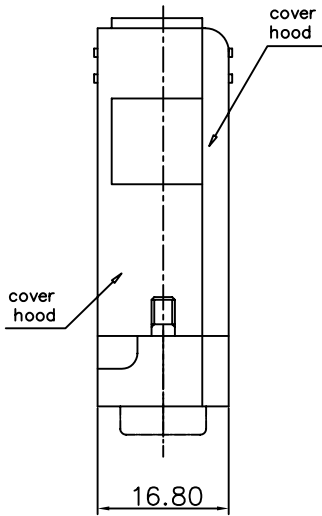
Tel: +86-755-8981 8866 Fax: +86-755-8427 6832

Email & Skype: info@chipsmall.com Web: www.chipsmall.com

Address: A1208, Overseas Decoration Building, #122 Zhenhua RD., Futian, Shenzhen, China



This document is the property of Amphenol Corporation and is delivered on the express condition that it is not to be disclosed, reproduced or used, in whole or in part, for manufacture or sale by anyone other than Amphenol Corporation without its prior consent, & that no right is granted to disclose or to use any information in this document.



REVISIONS

SYM	ECN	DESCRIPTION	DATE	APPROVED
A			06/25/07	

D-SUB TECHNICAL DATA

Hood, plastic, For 15 positions D-SUB connectors
 SHELL : Steel 2.5um(100u") min tin over 1.25um(50u") min nickel
 BODY : Glass filled thermoplastic.
 Flame retardant to UL94 V-0
 COLOUR: Black
 CLIMATIC : Temperature range -30 °C up to 90°C
 MARKING : Amphenol---(Series No.)
 Commercial reference
 Manufacturing date

L 17158806 is only hood, the connector is only for reference

PRODUCT CODE

L 17158806
 ROHS

UNLESS OTHERWISE SPECIFIED TOLERANCES		APPROVAL		DATE
U.S.	METRIC	DRAWN	Issa peng	06/25/07
.X	+/- 0.50	CHECKED	kk.wang	06/25/07
.XX	+/- 0.30	CHECKED		
.XXX	+/- 0.20			
FRACTIONS	+/-			
ANGLES	+/- 2'			
FOR MATERIALS AND FINISHES SEE NOTES		DRAWING FILE :		
REMOVE SHARP EDGES		ANGLE OF PROJECTION		
DIMENSIONS				
U.S.	INCHES			
METRIC	MM			

Amphenol		
TITLE hood		
SIZE	DRAWING NO.	REV.
A4	C L17158806	A
SCALE	NONE	SHEET 1 OF 1