



Chipsmall Limited consists of a professional team with an average of over 10 year of expertise in the distribution of electronic components. Based in Hongkong, we have already established firm and mutual-benefit business relationships with customers from,Europe,America and south Asia,supplying obsolete and hard-to-find components to meet their specific needs.

With the principle of “Quality Parts,Customers Priority,Honest Operation,and Considerate Service”,our business mainly focus on the distribution of electronic components. Line cards we deal with include Microchip,ALPS,ROHM,Xilinx,Pulse,ON,Everlight and Freescale. Main products comprise IC,Modules,Potentiometer,IC Socket,Relay,Connector.Our parts cover such applications as commercial,industrial, and automotives areas.

We are looking forward to setting up business relationship with you and hope to provide you with the best service and solution. Let us make a better world for our industry!



Contact us

Tel: +86-755-8981 8866 Fax: +86-755-8427 6832

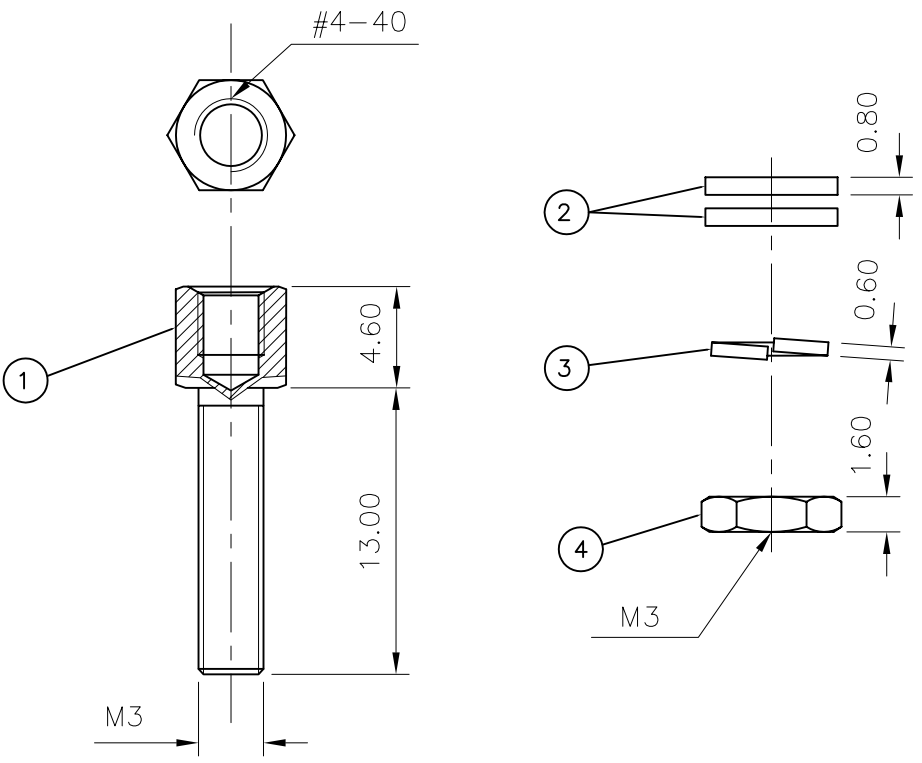
Email & Skype: info@chipsmall.com Web: www.chipsmall.com

Address: A1208, Overseas Decoration Building, #122 Zhenhua RD., Futian, Shenzhen, China



This document is the property of Amphenol Corporation and is delivered on the express condition that it is not to be disclosed, reproduced or used, in whole or in part, for manufacture or sale by anyone other than Amphenol Corporation without its prior consent, & that no right is granted to disclose or to use any information in this document.

REVISIONS				
SYM	ECN	DESCRIPTION	DATE	APPROVED
A			09/19/07	



- ① SCREW
- ② WASHERS
- ③ LOCK WASHER
- ④ NUT



D-SUB TECHNICAL DATA

MATERIAL:

screwlock: steel,100u" min sn over
 washer: steel,100u" min sn over 50u"
 lock washer: steel,100u" min sn over 50u"
 nut: steel,100u" min sn over 50u"

PACKAGE:

delivered separately
 1 P/N = 10sets

MARKING:

Amphenol...(Series No.) Commercial reference
 Manufacturing date

UNLESS OTHERWISE SPECIFIED TOLERANCES		APPROVAL		DATE	Amphenol
U.S.		DRAWN	Christina.cui	09/19/07	
METRIC		CHECKED	Wk.wang	09/19/07	
DRAWING FILE :		CHECKED			
FOR MATERIALS AND FINISHES SEE NOTES		ANGLE OF PROJECTION		TITLE	
REMOVE SHARP EDGES				Accessory, screwlock with nut and washes	
DIMENSIONS				SIZE	DRAWING NO.
U.S. INCHES				A4	C L17D204182LM3EX
METRIC MM				SCALE	REV.
				NONE	A
				SHEET 1 OF 1	