



Chipsmall Limited consists of a professional team with an average of over 10 year of expertise in the distribution of electronic components. Based in Hongkong, we have already established firm and mutual-benefit business relationships with customers from,Europe,America and south Asia,supplying obsolete and hard-to-find components to meet their specific needs.

With the principle of “Quality Parts,Customers Priority,Honest Operation,and Considerate Service”,our business mainly focus on the distribution of electronic components. Line cards we deal with include Microchip,ALPS,ROHM,Xilinx,Pulse,ON,Everlight and Freescale. Main products comprise IC,Modules,Potentiometer,IC Socket,Relay,Connector.Our parts cover such applications as commercial,industrial, and automotives areas.

We are looking forward to setting up business relationship with you and hope to provide you with the best service and solution. Let us make a better world for our industry!



## Contact us

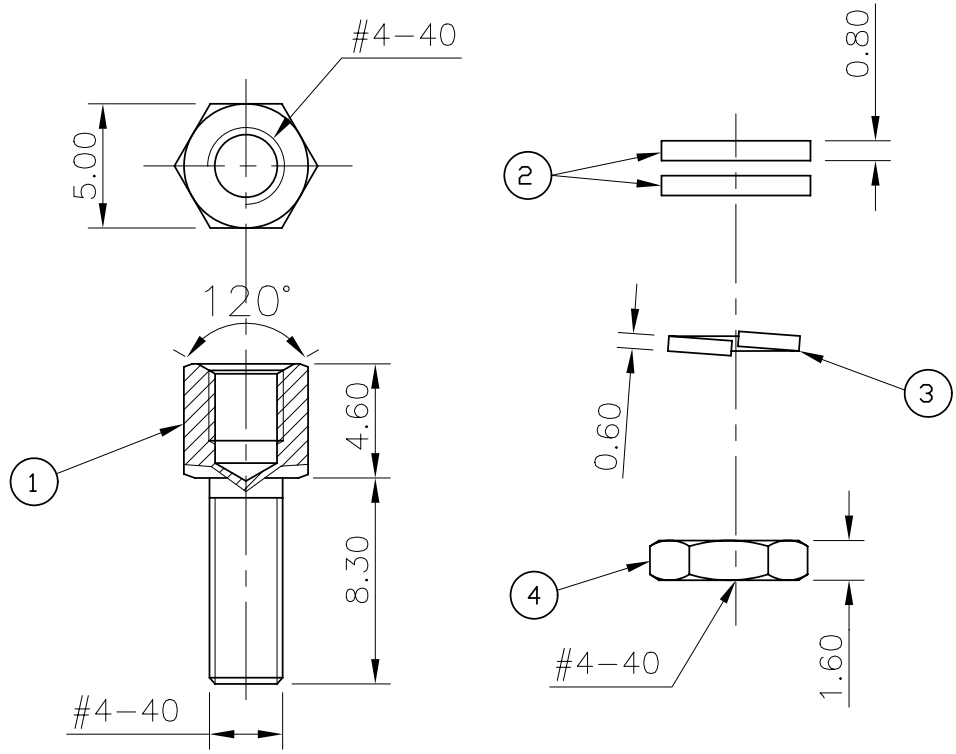
Tel: +86-755-8981 8866 Fax: +86-755-8427 6832

Email & Skype: info@chipsmall.com Web: www.chipsmall.com

Address: A1208, Overseas Decoration Building, #122 Zhenhua RD., Futian, Shenzhen, China



This document is the property of Amphenol Corporation and is delivered on the express condition that it is not to be disclosed, reproduced or used, in whole or in part, for manufacture or sale by anyone other than Amphenol Corporation without its prior consent. It is not to be used to disclose or to use any information in this document.



- ① SCREW
- ② WASHERS
- ③ LOCK WASHER
- ④ NUT



# Customer drawing

REVISIONS				
SYM	ECN	DESCRIPTION	DATE	APPROVED
1			04/25/08	

## D-SUB TECHNICAL DATA

### MATERIAL:

Screwlock: Steel, 100u" min tin over 50u" min nickel.  
 Washer: Steel, 100u" min tin over 50u" min nickel.  
 Lock washer: XC 35  
 Nut: Brass, 100u" min tin over 50u" min nickel.

### PACKAGE:

Delivered separately  
 1 P/N = 10 sets

### MARKING:

Amphenol—...(Series No.) Commercial reference  
 Manufacturing date

UNLESS OTHERWISE SPECIFIED		APPROVAL	DATE	Amphenol®		
TOLERANCES		DRAWN	Christina.cui		TITLE Accessory, screwlock with nut and washers	
U.S. METRIC		CHECKED	Hk.wang			
.X +/- 0.50		CHECKED	04/25/08			
.XX +/- 0.30						
.XXX +/- 0.20		DRAWING FILE :		SIZE DRAWING NO.		
FRACTIONS +/-		ANGLE OF PROJECTION		A4 C L17D2041B2TX		
ANGLES +/- 2'				REV.		
FOR MATERIALS AND FINISHES SEE NOTES				SCALE	NONE	1
REMOVE SHARP EDGES				SHEET 1 OF 1		
DIMENSIONS						
U.S.	INCHES					
METRIC	MM					