



Chipsmall Limited consists of a professional team with an average of over 10 year of expertise in the distribution of electronic components. Based in Hongkong, we have already established firm and mutual-benefit business relationships with customers from,Europe,America and south Asia,supplying obsolete and hard-to-find components to meet their specific needs.

With the principle of “Quality Parts,Customers Priority,Honest Operation,and Considerate Service”,our business mainly focus on the distribution of electronic components. Line cards we deal with include Microchip,ALPS,ROHM,Xilinx,Pulse,ON,Everlight and Freescale. Main products comprise IC,Modules,Potentiometer,IC Socket,Relay,Connector.Our parts cover such applications as commercial,industrial, and automotives areas.

We are looking forward to setting up business relationship with you and hope to provide you with the best service and solution. Let us make a better world for our industry!



Contact us

Tel: +86-755-8981 8866 Fax: +86-755-8427 6832

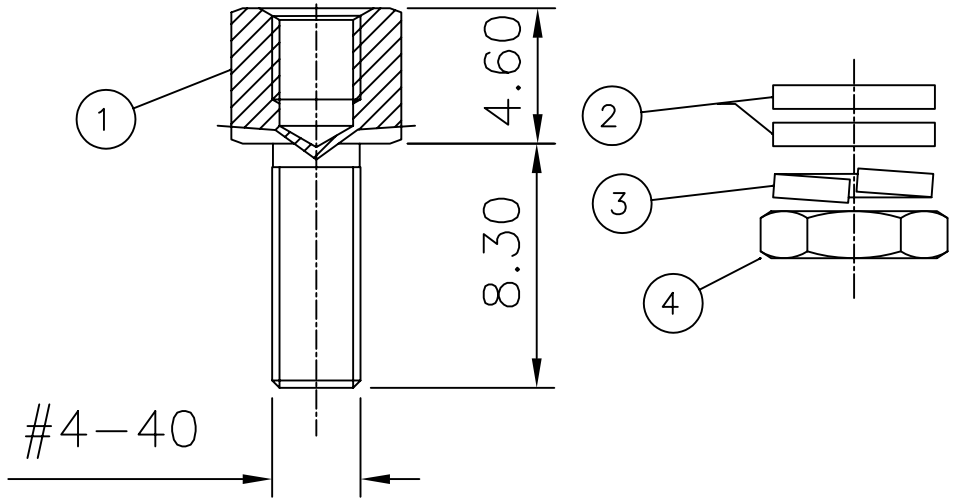
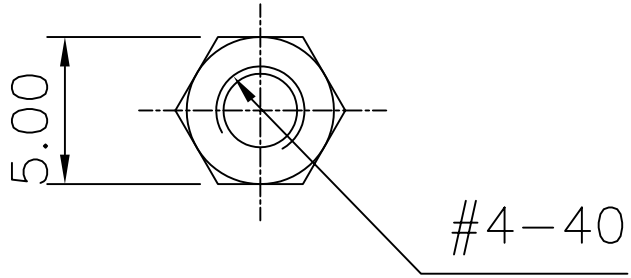
Email & Skype: info@chipsmall.com Web: www.chipsmall.com

Address: A1208, Overseas Decoration Building, #122 Zhenhua RD., Futian, Shenzhen, China



This document is the property of Amphenol Corporation and is delivered on the express condition that it is not to be disclosed, reproduced or used, in whole or in part, for manufacture or sale by anyone other than Amphenol Corporation without its prior consent, & that no right is granted to disclose or to use any information in this document.

REVISIONS				
SYM	ECN	DESCRIPTION	DATE	APPROVED
1			06/17/08	



- ① SCREWS
- ② 2 WASHERS
- ③ LOCK WASHERS
- ④ NUTS



CUSTOMER DRAWING

D-SUB TECHNICAL DATA

Plating : tinned
 delivered separately
 1 P/N = 10 lockings
 2 lockings are necessary for one connector

MARKING:
 Amphenol...(Series No.)
 Commercial reference
 Manufacturing date

UNLESS OTHERWISE SPECIFIED TOLERANCES		APPROVAL		DATE	Amphenol®	
	U.S.	METRIC	DRAWN	Lisa.peng		07/31/07
.X	+/-	0.50	CHECKED	Mk.wang		07/31/07
.XX	+/-	0.30	CHECKED			
.XXX	+/-	0.20				
FRACTIONS	+/-					
ANGLES	+/-	2°				
FOR MATERIALS AND FINISHES SEE NOTES			DRAWING FILE :		TITLE	
REMOVE SHARP EDGES			DRAWING Desc\LI7D204182			
DIMENSIONS			ANGLE OF PROJECTION		SIZE DRAWING NO.	
U.S.	INCHES					
METRIC	MM				SCALE	
					NONE	
					SHEET 1 OF 1	
					REV. 1	
					C L17D204182X	