



Chipsmall Limited consists of a professional team with an average of over 10 year of expertise in the distribution of electronic components. Based in Hongkong, we have already established firm and mutual-benefit business relationships with customers from,Europe,America and south Asia,supplying obsolete and hard-to-find components to meet their specific needs.

With the principle of “Quality Parts,Customers Priority,Honest Operation,and Considerate Service”,our business mainly focus on the distribution of electronic components. Line cards we deal with include Microchip,ALPS,ROHM,Xilinx,Pulse,ON,Everlight and Freescale. Main products comprise IC,Modules,Potentiometer,IC Socket,Relay,Connector.Our parts cover such applications as commercial,industrial, and automotives areas.

We are looking forward to setting up business relationship with you and hope to provide you with the best service and solution. Let us make a better world for our industry!



Contact us

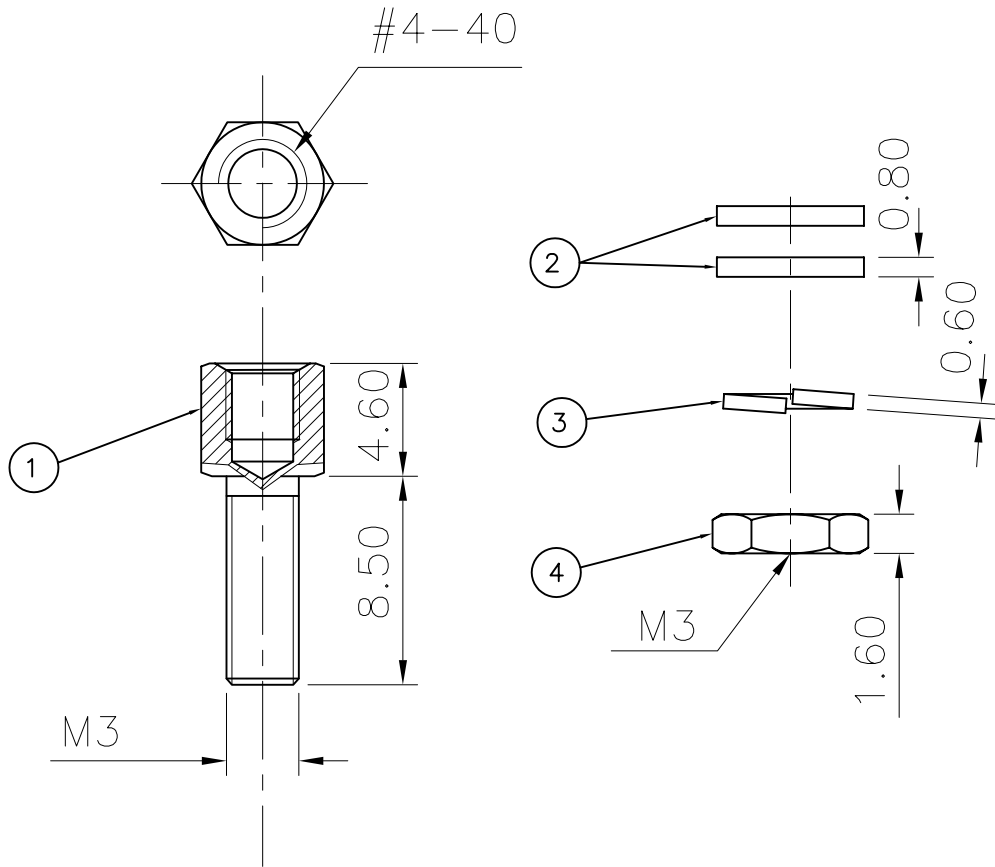
Tel: +86-755-8981 8866 Fax: +86-755-8427 6832

Email & Skype: info@chipsmall.com Web: www.chipsmall.com

Address: A1208, Overseas Decoration Building, #122 Zhenhua RD., Futian, Shenzhen, China



This document is the property of Amphenol Corporation and is delivered on the express condition that it is not to be disclosed, reproduced or used, in whole or in part, for manufacture or sale by anyone other than Amphenol Corporation without its prior consent, & that no right is granted to disclose or to use any information in this document.



REVISIONS				
SYM	ECN	DESCRIPTION	DATE	APPROVED
A			09/17/07	

D-SUB TECHNICAL DATA

MATERIAL:

screwlock: steel,100u" min sn over 50u" min nickel
 washer: steel,100u" min sn over 50u" min nickel
 lock washer: steel,100u" min sn over 50u" min nickel
 nut: steel,100u" min sn over 50u"

PACKAGE:

delivered separately
 1 P/N = 10sets

MARKING:

Amphenol...(Series No.) Commercial reference
 Manufacturing date

- ① SCREW
- ② WASHERS
- ③ LOCK WASHER
- ④ NUT



UNLESS OTHERWISE SPECIFIED TOLERANCES		APPROVAL		DATE	Amphenol	
	U.S.	METRIC	DRAWN	Christina.cui		09/17/07
.X	+/-	0.50	CHECKED	kk.wang		09/17/07
.XX	+/-	0.30	CHECKED			
.XXX	+/-	0.20				
FRACTIONS +/-		2'	DRAWING FILE :		TITLE	
ANGLES +/-					Accessory, screwlock with nut and washers	
FOR MATERIALS AND FINISHES SEE NOTES		REMOVE SHARP EDGES		ANGLE OF PROJECTION		
DIMENSIONS		U.S.		INCHES		
METRIC		MM		SCALE NONE		
				SIZE DRAWING NO.		
				A4 C L17D2041843X(10PCES)		
				REV. A		
				SHEET 1 OF 1		