



Chipsmall Limited consists of a professional team with an average of over 10 year of expertise in the distribution of electronic components. Based in Hongkong, we have already established firm and mutual-benefit business relationships with customers from,Europe,America and south Asia,supplying obsolete and hard-to-find components to meet their specific needs.

With the principle of “Quality Parts,Customers Priority,Honest Operation,and Considerate Service”,our business mainly focus on the distribution of electronic components. Line cards we deal with include Microchip,ALPS,ROHM,Xilinx,Pulse,ON,Everlight and Freescale. Main products comprise IC,Modules,Potentiometer,IC Socket,Relay,Connector.Our parts cover such applications as commercial,industrial, and automotives areas.

We are looking forward to setting up business relationship with you and hope to provide you with the best service and solution. Let us make a better world for our industry!



Contact us

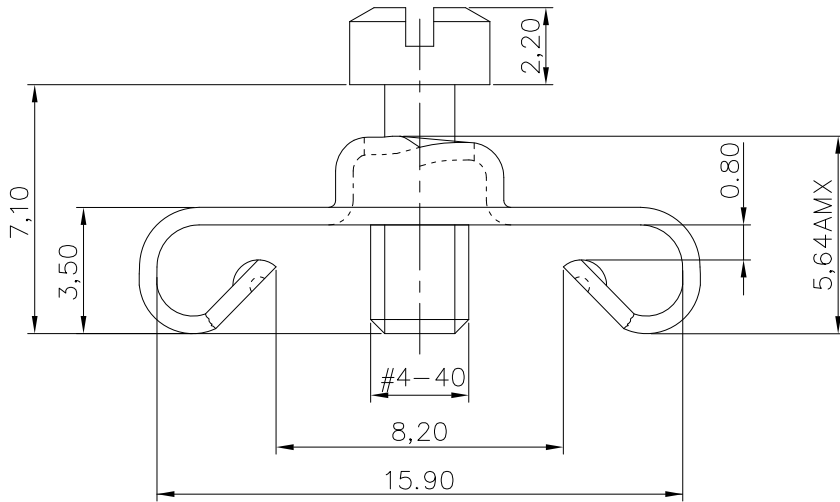
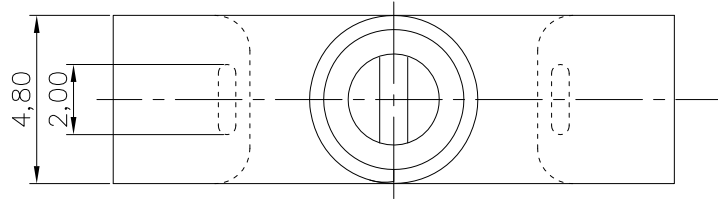
Tel: +86-755-8981 8866 Fax: +86-755-8427 6832

Email & Skype: info@chipsmall.com Web: www.chipsmall.com

Address: A1208, Overseas Decoration Building, #122 Zhenhua RD., Futian, Shenzhen, China



This document is the property of Amphenol Corporation and is delivered on the express condition that it is not to be disclosed, reproduced or used, in whole or in part, for manufacture or sale by anyone other than Amphenol Corporation without its prior consent, & that no right is granted to disclose or to use any information in this document.



Customer Drawing

REVISIONS				
SYM	ECN	DESCRIPTION	DATE	APPROVED
A		Original revision	12/12/07	IP
1		Revision change	07/07/10	IP
2		Clear information on revision change 1.Customer drawing revision 1, 2... WAS A,B... 2.Dim.s correction:8.20 WAS 6.50, 15.90 WAS 13.30 , 3.50 WAS 3.60	10/08/10	IP

D-SUB TECHNICAL DATA

MATERIAL : Steel 100u" min tin over 50u" min nickel

PACKAGE : Delivered separately

1 P/N : 10 sets

MARKING : Amphenol...(Series No.)

Commercial reference

Manufacturing date

PRODUCT CODE

L 17D20420EX

L: RoHS Compliance

X=10 lockings

UNLESS OTHERWISE SPECIFIED TOLERANCES U.S. METRIC .X +/- 0.50 .XX +/- 0.30 .XXX +/- 0.20 FRACTIONS +/- ANGLES +/- 2° FOR MATERIALS AND FINISHES SEE NOTES REMOVE SHARP EDGES DIMENSIONS U.S. INCHES METRIC MM	APPROVAL DRAWN Mary Ma 10/08/10 CHECKED Wk.wang 10/08/10 CHECKED		DATE 10/08/10
	DRAWING FILE :		
	ANGLE OF PROJECTION 		
	SIZE A4 DRAWING NO. C L17D20420EX SCALE NONE SHEET 1 OF 1		

TITLE Lock Accessory for D shell		
REV. 2	REV. 2	

Amphenol