



Chipsmall Limited consists of a professional team with an average of over 10 year of expertise in the distribution of electronic components. Based in Hongkong, we have already established firm and mutual-benefit business relationships with customers from,Europe,America and south Asia,supplying obsolete and hard-to-find components to meet their specific needs.

With the principle of “Quality Parts,Customers Priority,Honest Operation,and Considerate Service”,our business mainly focus on the distribution of electronic components. Line cards we deal with include Microchip,ALPS,ROHM,Xilinx,Pulse,ON,Everlight and Freescale. Main products comprise IC,Modules,Potentiometer,IC Socket,Relay,Connector.Our parts cover such applications as commercial,industrial, and automotives areas.

We are looking forward to setting up business relationship with you and hope to provide you with the best service and solution. Let us make a better world for our industry!



## Contact us

Tel: +86-755-8981 8866 Fax: +86-755-8427 6832

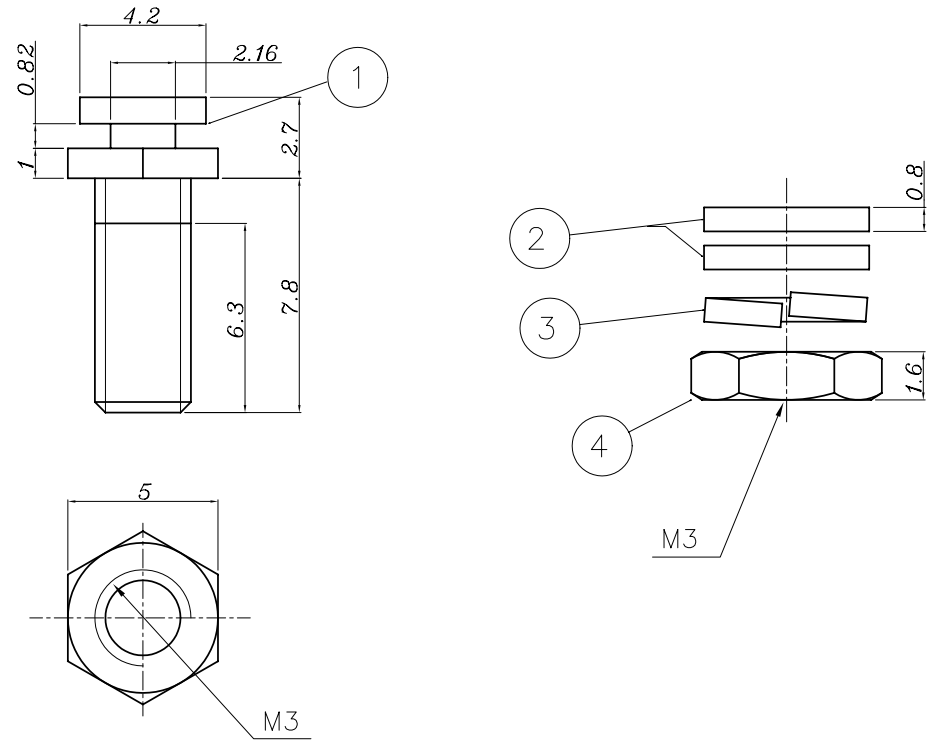
Email & Skype: info@chipsmall.com Web: www.chipsmall.com

Address: A1208, Overseas Decoration Building, #122 Zhenhua RD., Futian, Shenzhen, China



This document is the property of Amphenol Corporation and is delivered on the express condition that it is not to be disclosed, reproduced or used, in whole or in part, for manufacture or sale by anyone other than Amphenol Corporation without its prior consent, & that no right is granted to disclose or to use any information in this document.

REVISIONS				
SYM	ECN	DESCRIPTION	DATE	APPROVED
A			03/06/08	



*D-SUB TECHNICAL DATA*

*Plating : 100u" min. tin over  
50u" min. nickel.  
delivered separately  
1 P/N = 10 sets*

*MARKING:  
Amphenol...(Series No.)  
Commercial reference  
Manufacturing date*

- ① 10 LOCKING SCREWS
- ② 20 WASHERS
- ③ 10 LOCK WASHERS
- ④ 10 NUTS



**Customer drawing**

UNLESS OTHERWISE SPECIFIED		APPROVAL		DATE	Amphenol	
TOLERANCES		DRAWN	Sunny Li	03/06/08		
	U.S.	METRIC	CHECKED	tk.wang	03/06/08	TITLE Accessory for L17D53018M3X
.X	+/-	0.50	CHECKED			
.XX	+/-	0.30				
.XXX	+/-	0.20				
FRACTIONS	+/-					
ANGLES	+/-	2'				
FOR MATERIALS AND FINISHES SEE NOTES		DRAWING FILE :				
REMOVE SHARP EDGES		ANGLE OF PROJECTION				
DIMENSIONS				SIZE DRAWING NO.		
U.S.	INCHES			A4	C L17D53018M3X	REV.
METRIC	MM	SCALE		NONE	SHEET 1 OF 1	