



Chipsmall Limited consists of a professional team with an average of over 10 year of expertise in the distribution of electronic components. Based in Hongkong, we have already established firm and mutual-benefit business relationships with customers from,Europe,America and south Asia,supplying obsolete and hard-to-find components to meet their specific needs.

With the principle of “Quality Parts,Customers Priority,Honest Operation,and Considerate Service”,our business mainly focus on the distribution of electronic components. Line cards we deal with include Microchip,ALPS,ROHM,Xilinx,Pulse,ON,Everlight and Freescale. Main products comprise IC,Modules,Potentiometer,IC Socket,Relay,Connector.Our parts cover such applications as commercial,industrial, and automotives areas.

We are looking forward to setting up business relationship with you and hope to provide you with the best service and solution. Let us make a better world for our industry!



## Contact us

Tel: +86-755-8981 8866 Fax: +86-755-8427 6832

Email & Skype: info@chipsmall.com Web: www.chipsmall.com

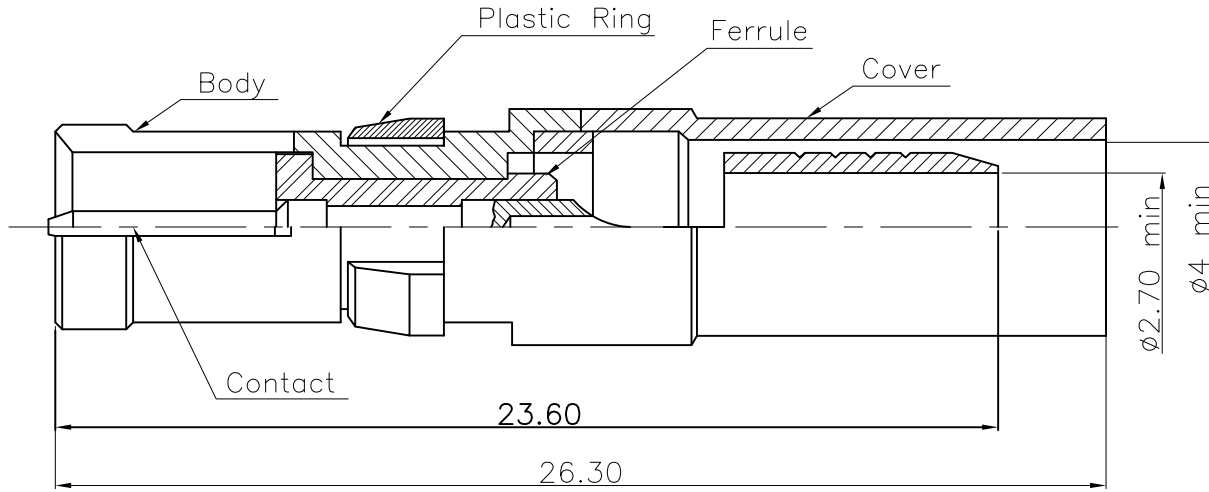
Address: A1208, Overseas Decoration Building, #122 Zhenhua RD., Futian, Shenzhen, China



This document is the property of Amphenol Corporation and is delivered on the express condition that it is not to be disclosed, reproduced or used, in whole or in part, for manufacture or sale by anyone other than Amphenol Corporation without its prior consent, & that no right is granted to disclose or to use any information in this document.

# Customer drawing

REVISIONS				
SYM	ECN	DESCRIPTION	DATE	APPROVED
1	HK--	First Release	03/14/08	IP



## MECHANICAL

### Materials:

- Bosies, Receptacles: Copper Alloy per ASTM B196
- Female Contacts: Copper Alloy per ASTM B196
- Insulators: Teflon per ASTM D1710
- Crimp Ferrule: Annealed Copper Alloy
- Clip Ring: Plastic

### Finish:

- Body: Gold Plated per MIL-G-45204
- Center Contact: Gold Plated per MIL-G-45204

## ELECTRICAL

- Impedance: 50 Ohms Nominal
- Frequency Range: 0 to 5.0 GHz
- Insulation Resistance: 5000 Megaohms Minimum
- Contact Resistance: (Milliohms maximum)
- Center Contact: 5.0
- Outer Contact: 3.0
- Voltage Standing Wave Ratio: 0 to 5.0 GHz
- Straight connector: 1.15+.02F GHz on RG-316 Cable
- Straight connector: 1.15+.01F GHz on .141 Dia.Semi-Rigid Cable

## ENVIRONMENTAL

- Operating Temperature: -55°C to +125°C
- Vibration: MIL-STD-202, Method 204, Test Condition D
- Shock: MIL-STD-202, Method 213, Test Condition I
- Corrosion Resistance: MIL-STD-202, Method 101, Test Condition B



UNLESS OTHERWISE SPECIFIED <b>TOLERANCES</b> U.S. METRIC .X +/- 0.30 .XX +/- 0.20 .XXX +/- 0.10 FRACTIONS +/- ANGLES +/- 2° FOR MATERIALS AND FINISHES SEE NOTES REMOVE SHARP EDGES	<b>APPROVAL</b> DRAWN <i>Christine.cou</i> 03/14/08 CHECKED <i>lsh.wang</i> 03/14/08 CHECKED	<b>DATE</b> 03/14/08	<b>Amphenol</b> Amphenol East Asia Limited <b>TITLE</b> Straight Female Coaxial Contact <b>SIZE</b> DRAWING NO. A4 C L17DM537423 <b>SCALE</b> NONE SHEET 1 OF 1
	<b>DRAWING FILE :</b>		
	<b>ANGLE OF PROJECTION</b> 		
	<b>DIMENSIONS</b> U.S. INCHES METRIC MM		
<b>REV.</b> 1			