



Chipsmall Limited consists of a professional team with an average of over 10 year of expertise in the distribution of electronic components. Based in Hongkong, we have already established firm and mutual-benefit business relationships with customers from,Europe,America and south Asia,supplying obsolete and hard-to-find components to meet their specific needs.

With the principle of “Quality Parts,Customers Priority,Honest Operation,and Considerate Service”,our business mainly focus on the distribution of electronic components. Line cards we deal with include Microchip,ALPS,ROHM,Xilinx,Pulse,ON,Everlight and Freescale. Main products comprise IC,Modules,Potentiometer,IC Socket,Relay,Connector.Our parts cover such applications as commercial,industrial, and automotives areas.

We are looking forward to setting up business relationship with you and hope to provide you with the best service and solution. Let us make a better world for our industry!



## Contact us

Tel: +86-755-8981 8866 Fax: +86-755-8427 6832

Email & Skype: info@chipsmall.com Web: www.chipsmall.com

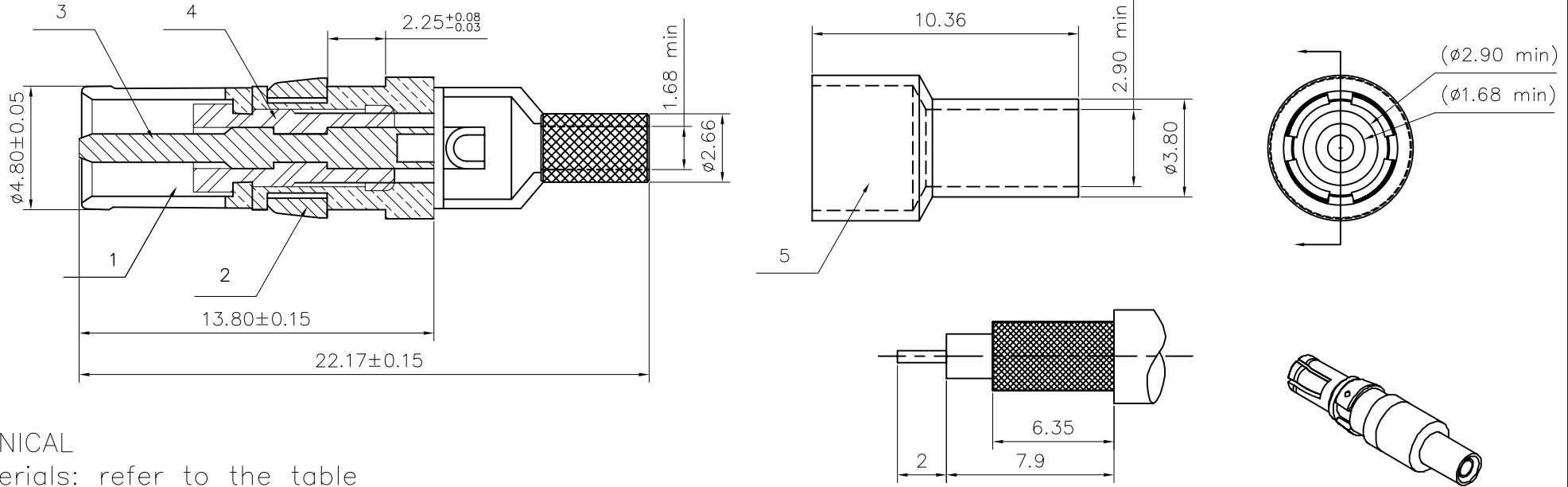
Address: A1208, Overseas Decoration Building, #122 Zhenhua RD., Futian, Shenzhen, China



This document is the property of Amphenol Corporation and is delivered on the express condition that it is not to be disclosed, reproduced or used, in whole or in part, for manufacture or sale by anyone other than Amphenol Corporation without its prior consent, & that no right is granted to disclose or to use any information in this document.

# Customer drawing

REVISIONS				
SYM	ECN	DESCRIPTION	DATE	APPROVED
1			09/05/08	



## MECHANICAL

1. Materials: refer to the table
2. Finish: refer to the table

## ELECTRICAL :

Impedance: 50 Ohms Nominal  
 Frequency Range: 0 to 5.0 GHz  
 Insulation Resistance: 5000 Megaohms Minimum  
 Contact Resistance: (Milliohms maximum)  
 Center Contact: 5.0  
 Outer Contact: 3.0  
 Voltage Standing Wave Ratio: 0 to 5.0 GHz

## ENVIRONMENTAL

Operating Temperature range : -55 °C up to +125°C  
 Vibration: MIL-STD-202, Method 204, Test Condition D  
 Shock: MIL-STD-202, Method 213, Test Condition I  
 Corrosion Resistance: MIL-STD-202, Method 101, Test Condition B



Trim cable

5	ferrule	brass, gold over 50u" min. nickel
4	insulator	PTFE, Color white
3	center contact	phosphor bronze, 30u" min. gold over 50u" min. nickel
2	ring	thermoplastic, Color black
1	outer contact	brass, gold over 50u" min. nickel
Sequence	Material	Remark

UNLESS OTHERWISE SPECIFIED TOLERANCES		APPROVAL		DATE
U.S.	METRIC	DRAWN	Mary.ma	09/05/08
.X +/-	0.20	CHECKED	Wk.wang	09/05/08
.XX +/-	0.10	CHECKED		
.XXX +/-	0.05			
FRACTIONS +/-				
ANGLES +/-	2'			
FOR MATERIALS AND FINISHES SEE NOTES		DRAWING FILE :		
REMOVE SHARP EDGES		ANGLE OF PROJECTION		
DIMENSIONS				
U.S.	INCHES			
METRIC	MM			

<b>Amphenol®</b>		
TITLE Straight shielded contacts ferrule		
SIZE	DRAWING NO.	REV.
A4	C L17DM53742-5001	1
SCALE	NONE	SHEET 1 OF 1