



Chipsmall Limited consists of a professional team with an average of over 10 year of expertise in the distribution of electronic components. Based in Hongkong, we have already established firm and mutual-benefit business relationships with customers from,Europe,America and south Asia,supplying obsolete and hard-to-find components to meet their specific needs.

With the principle of “Quality Parts,Customers Priority,Honest Operation,and Considerate Service”,our business mainly focus on the distribution of electronic components. Line cards we deal with include Microchip,ALPS,ROHM,Xilinx,Pulse,ON,Everlight and Freescale. Main products comprise IC,Modules,Potentiometer,IC Socket,Relay,Connector.Our parts cover such applications as commercial,industrial, and automotives areas.

We are looking forward to setting up business relationship with you and hope to provide you with the best service and solution. Let us make a better world for our industry!



## Contact us

Tel: +86-755-8981 8866 Fax: +86-755-8427 6832

Email & Skype: info@chipsmall.com Web: www.chipsmall.com

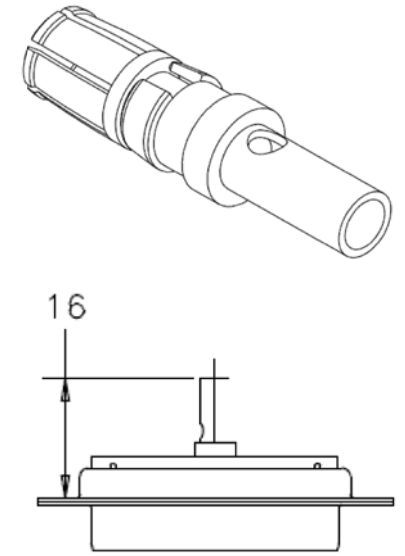
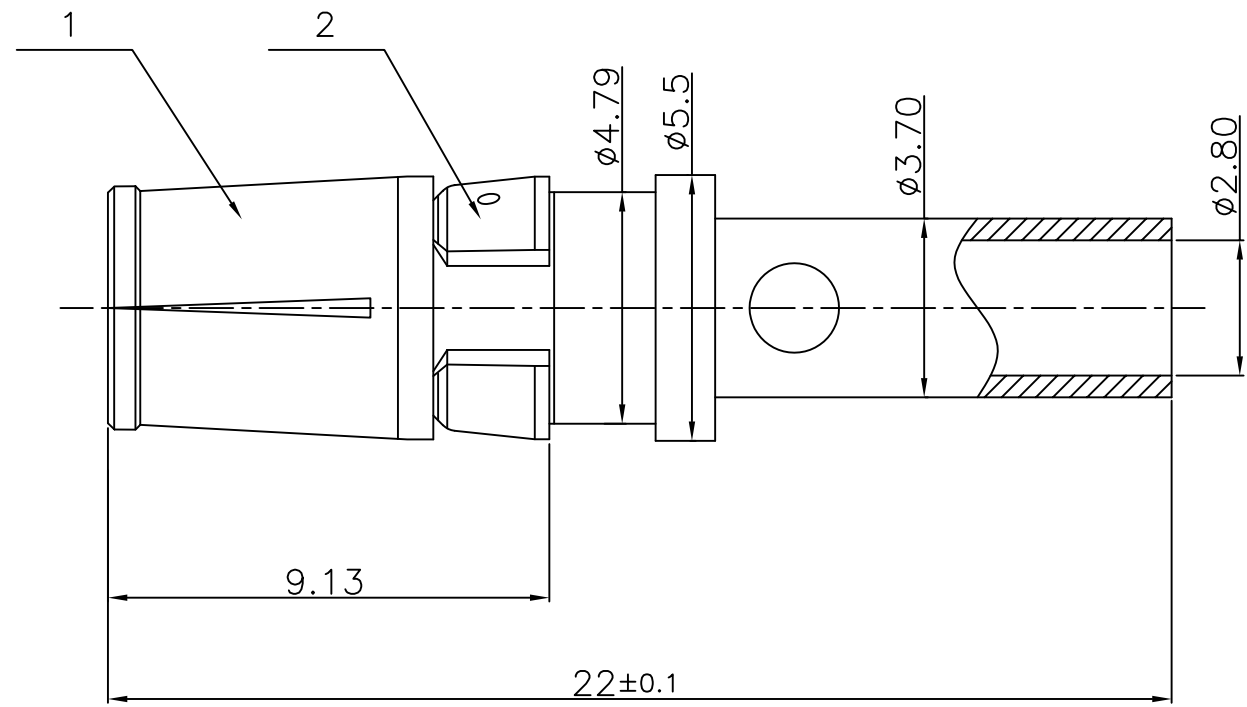
Address: A1208, Overseas Decoration Building, #122 Zhenhua RD., Futian, Shenzhen, China



This document is the property of Amphenol Corporation and is delivered on the express condition that it is not to be disclosed, reproduced or used, in whole or in part, for manufacture or sale by anyone other than Amphenol Corporation without its prior consent, & that no right is granted to disclose or to use any information in this document.

| REVISIONS |     |             |          |          |
|-----------|-----|-------------|----------|----------|
| SYM       | ECN | DESCRIPTION | DATE     | APPROVED |
| 1         |     |             | 05/06/08 |          |

# Customer drawing



Notes:

- Commercial number is L17DM53744206C309
- Current rating: 20 to 30A.



|          |               |               |   |
|----------|---------------|---------------|---|
| 2        | 4P00100       | thermoplastic |   |
| 1        | power contact | copper alloy  | 0.76um(30u") gold over 1.25-2.50um nickel |
| Sequence | Part number   | Material      | Plating                                   |

| UNLESS OTHERWISE SPECIFIED TOLERANCES |        | APPROVAL                               |          | DATE     |
|---------------------------------------|--------|--|----------|----------|
| U.S.                                  | METRIC | DRAWN                                  | Sunny.LA | 05/06/08 |
| .X +/-                                | 0.20   | CHECKED                                | lik.wang | 05/06/08 |
| .XX +/-                               | 0.10   | CHECKED                                |          |          |
| .XXX +/-                              | 0.05   |  |          |          |
| FRACTIONS +/-                         | 2'     | DRAWING FILE :                         |          |          |
| ANGLES +/-                            |        | ANGLE OF PROJECTION                    |          |          |
| FOR MATERIALS AND FINISHES SEE NOTES  |        |  |          |          |
| REMOVE SHARP EDGES                    |        | DIMENSIONS<br>U.S. INCHES<br>METRIC MM |          |          |

|                                    |                     |              |
|------------------------------------|---------------------|--------------|
| <b>Amphenol®</b>                   |                     |              |
| TITLE<br><b>High power contact</b> |                     |              |
| SIZE                               | DRAWING NO.         | REV.         |
| A4                                 | C L17DM53744206C309 | 1            |
| SCALE                              | NONE                | SHEET 1 OF 1 |