



Chipsmall Limited consists of a professional team with an average of over 10 year of expertise in the distribution of electronic components. Based in Hongkong, we have already established firm and mutual-benefit business relationships with customers from,Europe,America and south Asia,supplying obsolete and hard-to-find components to meet their specific needs.

With the principle of “Quality Parts,Customers Priority,Honest Operation,and Considerate Service”,our business mainly focus on the distribution of electronic components. Line cards we deal with include Microchip,ALPS,ROHM,Xilinx,Pulse,ON,Everlight and Freescale. Main products comprise IC,Modules,Potentiometer,IC Socket,Relay,Connector.Our parts cover such applications as commercial,industrial, and automotives areas.

We are looking forward to setting up business relationship with you and hope to provide you with the best service and solution. Let us make a better world for our industry!



Contact us

Tel: +86-755-8981 8866 Fax: +86-755-8427 6832

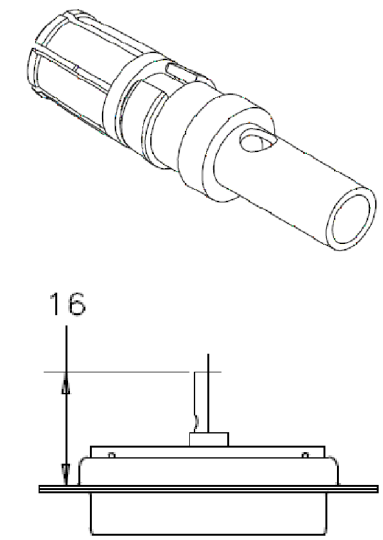
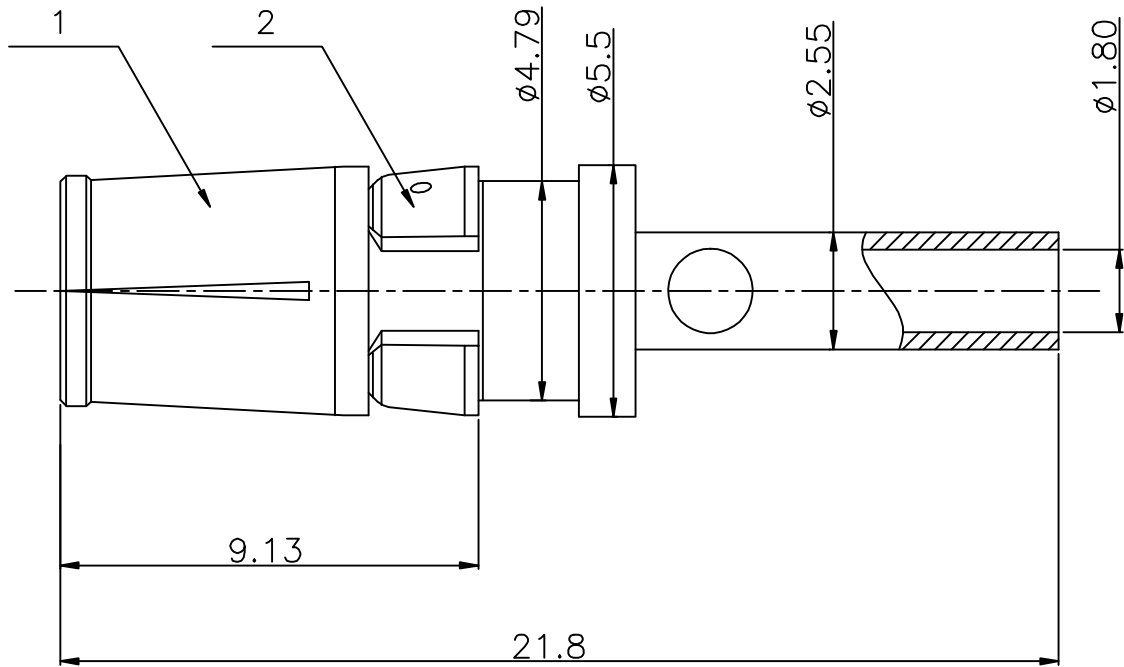
Email & Skype: info@chipsmall.com Web: www.chipsmall.com

Address: A1208, Overseas Decoration Building, #122 Zhenhua RD., Futian, Shenzhen, China



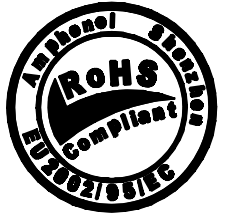
This document is the property of Amphenol Corporation and is delivered on the express condition that it is not to be disclosed, reproduced or used, in whole or in part, for manufacture or sale by anyone other than Amphenol Corporation without its prior consent, & that no right is granted to disclose or to use any information in this document.

REVISIONS				
SYM	ECN	DESCRIPTION	DATE	APPROVED
A		Release drawing	12/12/07	IP



Notes:

- Commercial number is L17DM53744207
- Current rating: 10 to 20A.



Customer drawing

2	4P00100	thermoplastic	
1	CONTACT	CuNi1Pb1P(C97)	0.375um gold over 1.25-2.5um nickel
Sequence	Part number	Material	Plating

UNLESS OTHERWISE SPECIFIED TOLERANCES		APPROVAL		DATE
	U.S.	METRIC	DRAWN	DATE
.X	+/-	0.20	Sunny LA	12/12/07
.XX	+/-	0.10	CHECKED	12/12/07
.XXX	+/-	0.05	CHECKED	
FRACTIONS	+/-			
ANGLES	+/-	2'		

<i>Amphenol</i>	
TITLE <i>High power contact</i>	
SIZE	DRAWING NO.
A4	C L17DM53744207
SCALE	REV.
NONE	A
SHEET 1 OF 1	

