



Chipsmall Limited consists of a professional team with an average of over 10 year of expertise in the distribution of electronic components. Based in Hongkong, we have already established firm and mutual-benefit business relationships with customers from,Europe,America and south Asia,supplying obsolete and hard-to-find components to meet their specific needs.

With the principle of “Quality Parts,Customers Priority,Honest Operation,and Considerate Service”,our business mainly focus on the distribution of electronic components. Line cards we deal with include Microchip,ALPS,ROHM,Xilinx,Pulse,ON,Everlight and Freescale. Main products comprise IC,Modules,Potentiometer,IC Socket,Relay,Connector.Our parts cover such applications as commercial,industrial, and automotives areas.

We are looking forward to setting up business relationship with you and hope to provide you with the best service and solution. Let us make a better world for our industry!



Contact us

Tel: +86-755-8981 8866 Fax: +86-755-8427 6832

Email & Skype: info@chipsmall.com Web: www.chipsmall.com

Address: A1208, Overseas Decoration Building, #122 Zhenhua RD., Futian, Shenzhen, China

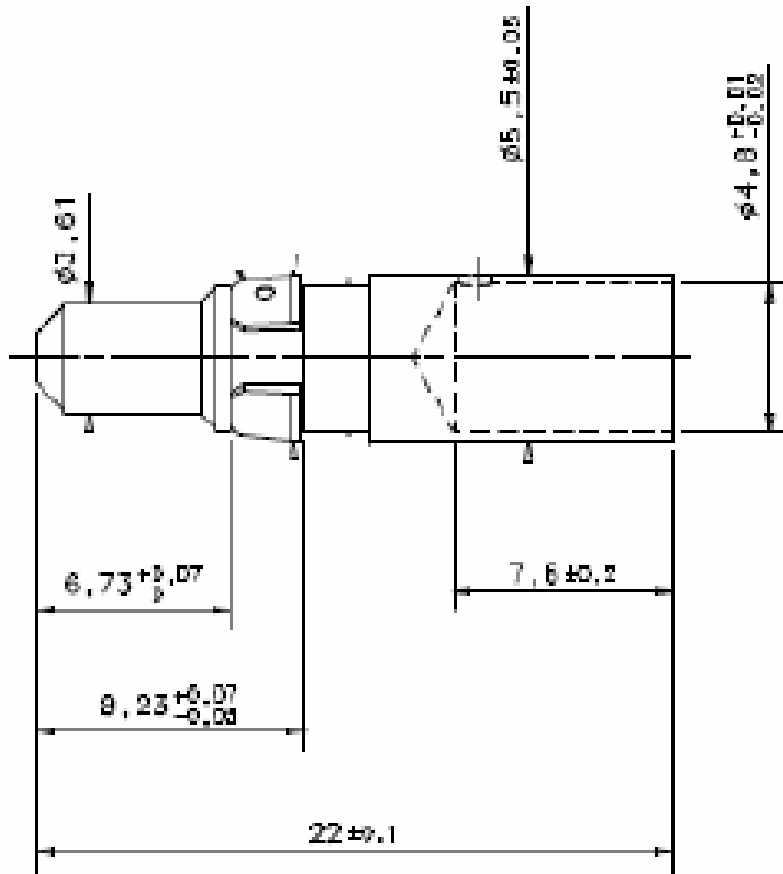


IDEAS - PLAN REALISE A PARTIR D'UN MODELE 3D
NE PEUT ETRE MIS A JOUR QUE SUR CAO

H CLIENT

H OUTIL

H D'ETUDE



Echelle 1

Amphenol Socapex
Usine de Dole

PRE-OUT
VALVE PIECE
SURFACE PI ECE
OPERATION

NUM. D. DNE.
S. SERIE



PROJ. TENDIT
MPTI ERE

code de 7-34 (le code est en ligne)

X	C	DRU 41 7032	E. Lo	100%					
X	B	PAU 11 50030	E. Lo	100%					
X	A	OPERATION PLAN	E. Lo	100%					
		CLIENT	NOTIFICATIONS	EXC.	DATE	APP.			

MIC OUT BARRE

INSERITION

L17D M53745 201

H MATER

4W54000R