



Chipsmall Limited consists of a professional team with an average of over 10 year of expertise in the distribution of electronic components. Based in Hongkong, we have already established firm and mutual-benefit business relationships with customers from,Europe,America and south Asia,supplying obsolete and hard-to-find components to meet their specific needs.

With the principle of “Quality Parts,Customers Priority,Honest Operation,and Considerate Service”,our business mainly focus on the distribution of electronic components. Line cards we deal with include Microchip,ALPS,ROHM,Xilinx,Pulse,ON,Everlight and Freescale. Main products comprise IC,Modules,Potentiometer,IC Socket,Relay,Connector.Our parts cover such applications as commercial,industrial, and automotives areas.

We are looking forward to setting up business relationship with you and hope to provide you with the best service and solution. Let us make a better world for our industry!



Contact us

Tel: +86-755-8981 8866 Fax: +86-755-8427 6832

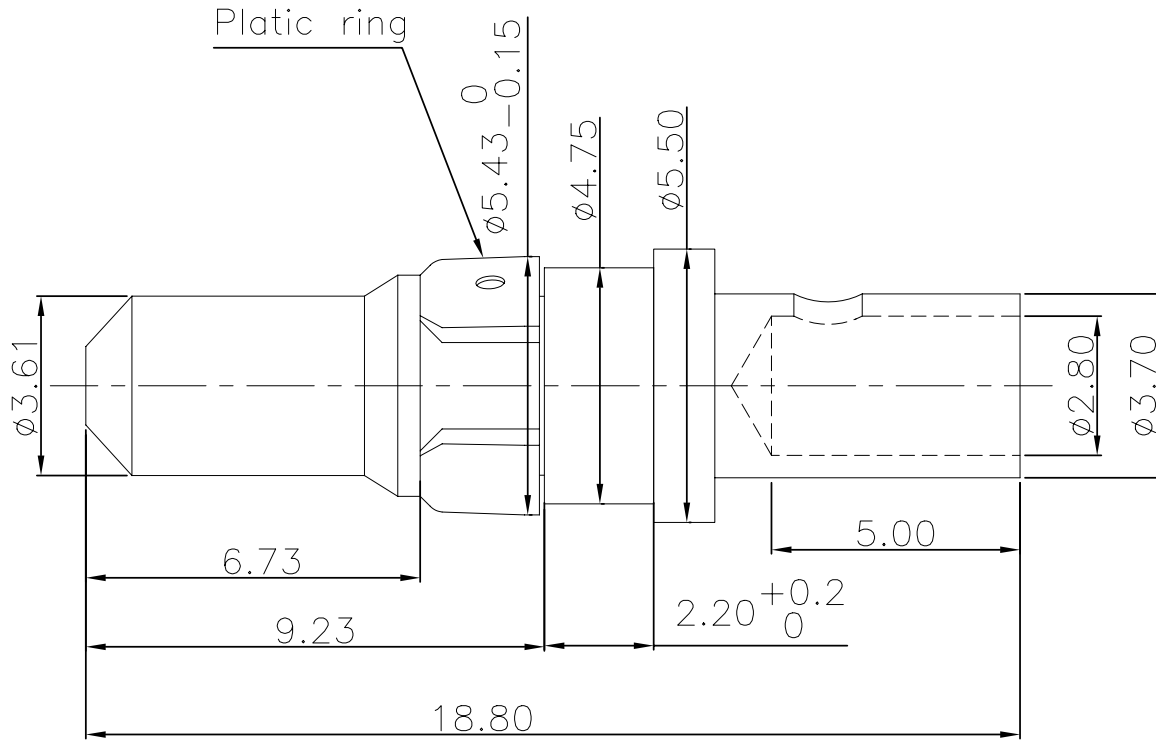
Email & Skype: info@chipsmall.com Web: www.chipsmall.com

Address: A1208, Overseas Decoration Building, #122 Zhenhua RD., Futian, Shenzhen, China



This document is the property of Amphenol Corporation and is delivered on the express condition that it is not to be disclosed, reproduced or used, in whole or in part for manufacture or sale by anyone other than Amphenol Corporation without its prior consent, & that no right is granted to disclose or to use any information in this document.

REVISIONS				
SYM	ECN	DESCRIPTION	DATE	APPROVED
1			09/04/09	



Notes:

- Material and finish
Body: CuZn36Pb3
30u" min gold plating over 50u" min nickel over all,tempering(heat-treat ment)
- Technical characteristics
Peak voltage: 750V
Operating voltage: 500V
Temperature range: -55°C up to +125°C
Current capability 20 to 30 Amp
- There should be no crack when crimping the cable on the crimping side
- No burrs,no crack on the contact



Customer drawing

UNLESS OTHERWISE SPECIFIED TOLERANCES U.S. METRIC .X +/- 0.20 .XX +/- 0.10 .XXX +/- 0.05 FRACTIONS +/- ANGLES +/- 2°	APPROVAL	DATE	Amphenol Amphenol East Asia Limited
	DRAWN christina.cui	09/04/09	
FOR MATERIALS AND FINISHES SEE NOTES	CHECKED lik.wang	09/04/09	TITLE Power contact with plastic ring
REMOVE SHARP EDGES	DRAWING FILE :		SIZE DRAWING NO.
DIMENSIONS	ANGLE OF PROJECTION		A4 C L17DM53745-217
U.S. INCHES	METRIC MM		SCALE NONE SHEET 1 OF 1
			REV. 1