



Chipsmall Limited consists of a professional team with an average of over 10 year of expertise in the distribution of electronic components. Based in Hongkong, we have already established firm and mutual-benefit business relationships with customers from,Europe,America and south Asia,supplying obsolete and hard-to-find components to meet their specific needs.

With the principle of “Quality Parts,Customers Priority,Honest Operation,and Considerate Service”,our business mainly focus on the distribution of electronic components. Line cards we deal with include Microchip,ALPS,ROHM,Xilinx,Pulse,ON,Everlight and Freescale. Main products comprise IC,Modules,Potentiometer,IC Socket,Relay,Connector.Our parts cover such applications as commercial,industrial, and automotives areas.

We are looking forward to setting up business relationship with you and hope to provide you with the best service and solution. Let us make a better world for our industry!



Contact us

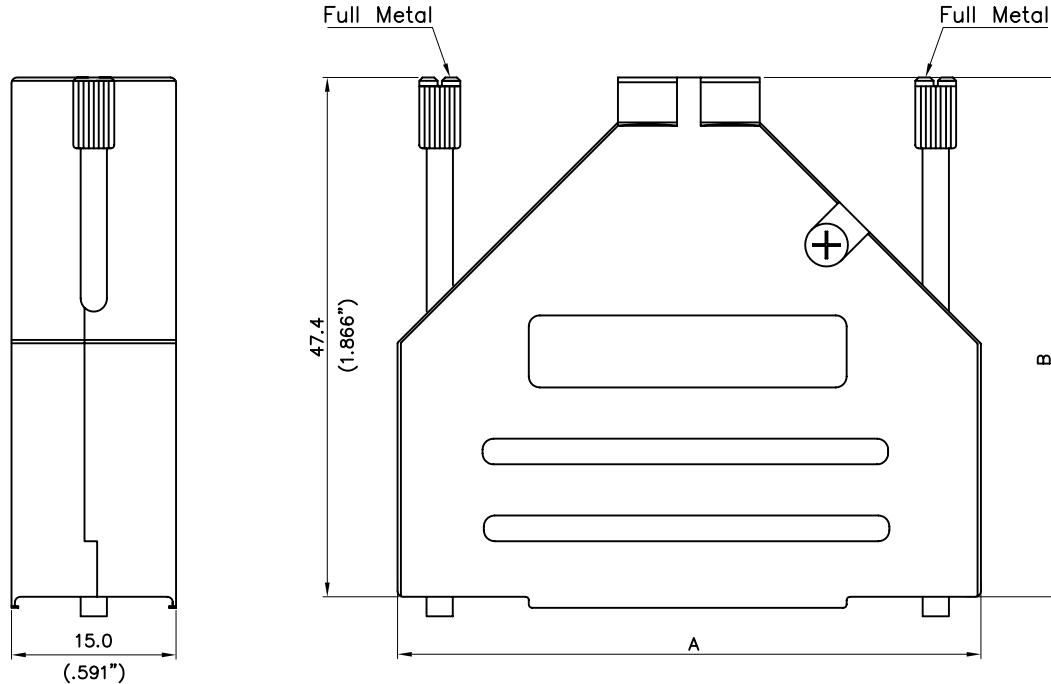
Tel: +86-755-8981 8866 Fax: +86-755-8427 6832

Email & Skype: info@chipsmall.com Web: www.chipsmall.com

Address: A1208, Overseas Decoration Building, #122 Zhenhua RD., Futian, Shenzhen, China



This document is the property of Amphenol Corporation and is delivered on the express condition that it is not to be disclosed, reproduced or used, in whole or in part, for manufacture or sale by anyone other than Amphenol Corporation without its prior consent, & that no right is granted to disclose or to use any information in this document.



L17D TZK **K FM (**=09,15,25,37)

Part Number	A	B
L17D TZK 09K FM	21 (.827")	38.3 (1.508")
L17D TZK 15K FM	39.5 (1.555")	40.5 (1.594")
L17D TZK 25K FM	54.4 (2.144")	47.3 (1.862")
L17D TZK 37K FM	70.9 (2.791")	52.2 (2.055")



REVISIONS				
SYM	ECN	DESCRIPTION	DATE	APPROVED
A			5/29/07	

D-SUB TECHNICAL DATA

Material and finish: die-cast, nickel plated or black iron zinc

Cable strain relief: Steel fibre reinforced Polycarbonate (UL94R-0) for ENI/RFI screening

Locking screws: Long solid jackscrew with full metal for indication of thread

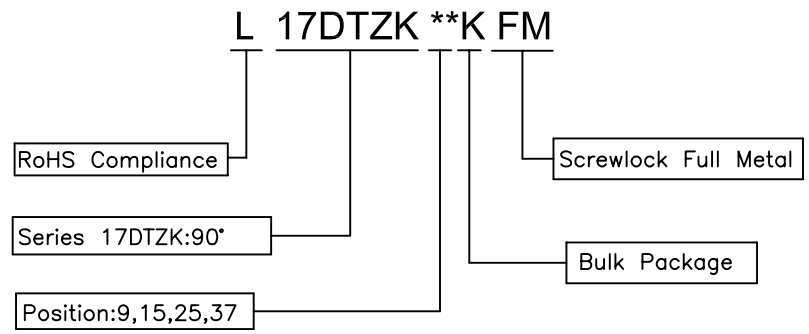
Temperature range: -40°C to 120°C

Cable diameter: 4.0-13.0mm

Attenuation factor: >40 dB between 30 MHz and 1 GHz

Meet requirements: VDE 0971, FCC 20780, 89/336/EU

PRODUCT CODE



UNLESS OTHERWISE SPECIFIED TOLERANCES		APPROVAL		DATE
U.S.	METRIC	DRAWN	Issa.peng	5/29/07
.X +/-	0.4	CHECKED	tk.wang	5/28/07
.XX +/-	0.30	CHECKED		
.XXX +/-	0.20			
FRACTIONS +/-				
ANGLES +/-	2°			
FOR MATERIALS AND FINISHES SEE NOTES		DRAWING FILE : PE master/drawing/Dsub		
REMOVE SHARP EDGES		ANGLE OF PROJECTION		
DIMENSIONS				
U.S.	INCHES			
METRIC	MM			

Amphenol		
TITLE METAL HOOD		
SIZE	DRAWING NO.	REV.
A4	L17D TZK **K FM	A
SCALE	NONE	SHEET 1 OF 1