



Chipsmall Limited consists of a professional team with an average of over 10 year of expertise in the distribution of electronic components. Based in Hongkong, we have already established firm and mutual-benefit business relationships with customers from,Europe,America and south Asia,supplying obsolete and hard-to-find components to meet their specific needs.

With the principle of “Quality Parts,Customers Priority,Honest Operation,and Considerate Service”,our business mainly focus on the distribution of electronic components. Line cards we deal with include Microchip,ALPS,ROHM,Xilinx,Pulse,ON,Everlight and Freescale. Main products comprise IC,Modules,Potentiometer,IC Socket,Relay,Connector.Our parts cover such applications as commercial,industrial, and automotives areas.

We are looking forward to setting up business relationship with you and hope to provide you with the best service and solution. Let us make a better world for our industry!



## Contact us

Tel: +86-755-8981 8866 Fax: +86-755-8427 6832

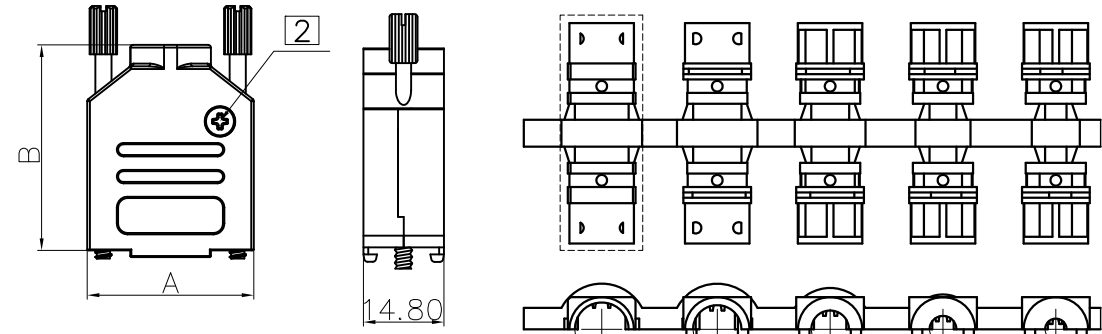
Email & Skype: info@chipsmall.com Web: www.chipsmall.com

Address: A1208, Overseas Decoration Building, #122 Zhenhua RD., Futian, Shenzhen, China

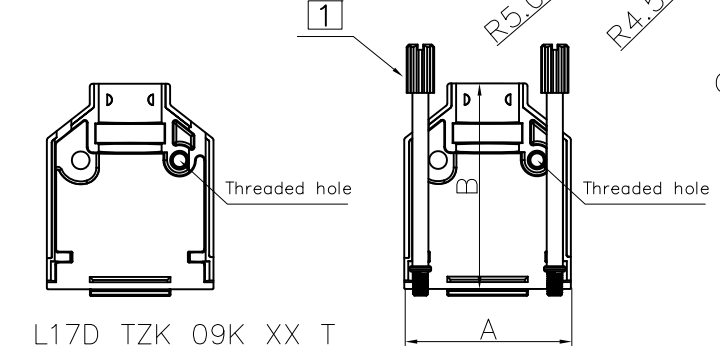


This document is the property of Amphenol Corporation and is delivered on the express condition that it is not to be disclosed, reproduced or used, in whole or in part, for manufacture or sale by anyone other than Amphenol Corporation without its prior consent, & that no right is granted to disclose or to use any information in this document.

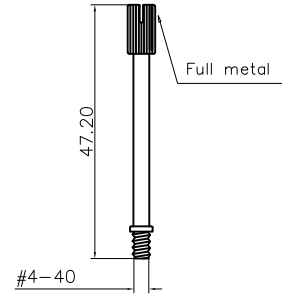
REVISIONS				
SYM	ECN	DESCRIPTION	DATE	APPROVED
2		From self-tapering to self-tapping	May/05/11	IP
3	HK#	Correct View shape	3/27/13	IP



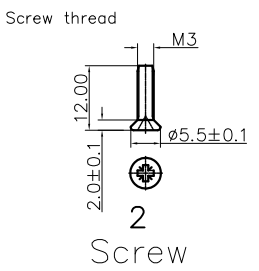
L17D TZK 09K XX T



L17D TZK 09K XX T



Thumb screw



Screw

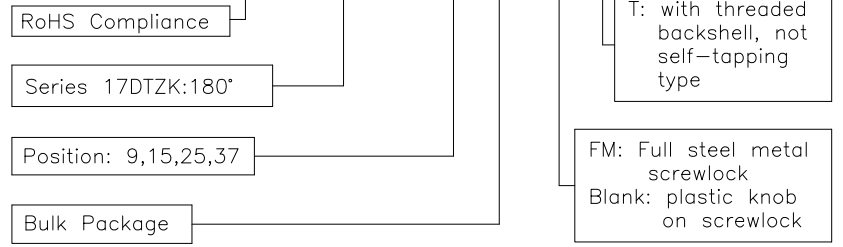


**D-SUB TECHNICAL DATA**

Material and finish:  
 Shell: die-cast, nickel plated  
 Thumb screws: with metal knob, nickel plated  
 Screws: Steel, blue chromate plating, Philips head  
 Cable strain relief: Plastic UL94 V-0  
 Temperature range: -40°C to 120°C  
 Cable diameter: 4.0-13.0mm  
 Attenuation factor: >40 dB between 30 MHz and 1 GHz

**PRODUCT CODE**

**L 17DTZK XX K XX T**



Part Number	A	B	Part Number
L17D TZK 09K FM T	31 (1.220")	38.3 (1.508")	L17D TZK 09K T
L17D TZK 15K FM T	39.5 (1.555")	40.5 (1.594")	L17D TZK 15K T
L17D TZK 25K FM T	53.4 (2.102")	48.2 (1.897")	L17D TZK 25K T
L17D TZK 37K FM T	70 (2.755")	52.2 (2.055")	L17D TZK 37K T

Customer drawing

UNLESS OTHERWISE SPECIFIED TOLERANCES		APPROVAL		DATE
U.S.	METRIC	DRAWN	XS.Guo	3/27/13
.X +/-	0.50	CHECKED	Tony	3/27/13
.XX +/-	0.30	CHECKED		
.XXX +/-	0.20			
FRACTIONS +/-				
ANGLES +/-	2'			
FOR MATERIALS AND FINISHES SEE NOTES		DRAWING FILE :		
REMOVE SHARP EDGES		ANGLE OF PROJECTION		
DIMENSIONS				
U.S.	INCHES			
METRIC	MM			

<b>Amphenol</b>		Amphenol East Asia Limited	
TITLE			
<b>Metal Hood DTZK series</b>			
SIZE	DRAWING NO.	REV.	
A4	C L17D TZK XXX XX T	3	
SCALE	NONE	SHEET 1 OF 4	

This document is the property of Amphenol Corporation and is delivered on the express condition that it is not to be disclosed, reproduced or used, in whole or in part, for manufacture or sale by anyone other than Amphenol Corporation without its prior consent, & that no right is granted to disclose or to use any information in this document.

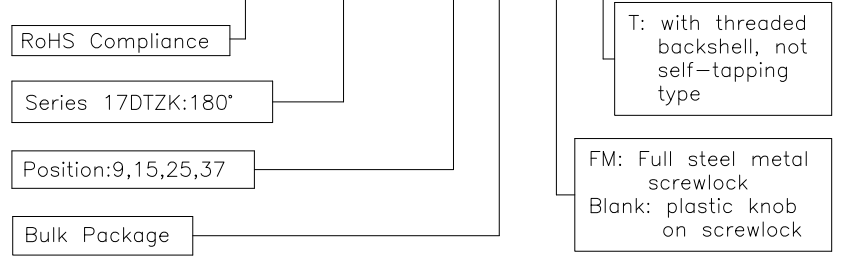
REVISIONS				
SYM	ECN	DESCRIPTION	DATE	APPROVED
2		From self-tapering to self-tapping	May/05/11	IP
3	HK#	Correct View shape	3/27/13	IP

**D-SUB TECHNICAL DATA**

Material and finish:  
 Shell: die-cast, nickel plated  
 Thumb screws: with metal knob, nickel plated  
 Screws: Steel, blue chromate plating, Philips head  
 Cable strain relief: Plastic UL94 V-0  
 Temperature range: -40°C to 120°C  
 Cable diameter: 4.0-13.0mm  
 Attenuation factor: >40 dB between 30 MHz and 1 GHz

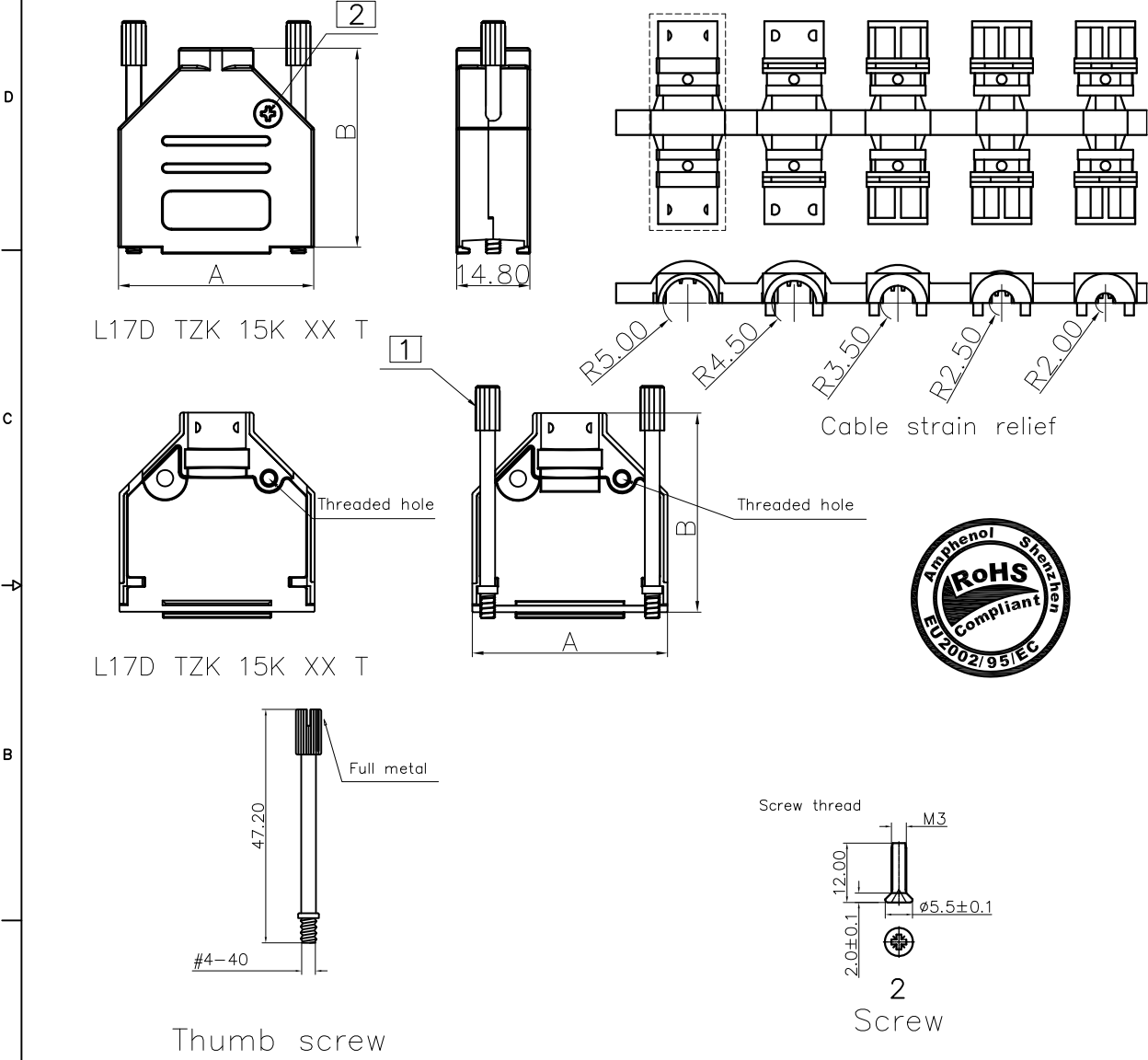
**PRODUCT CODE**

**L 17DTZK XX K XX T**



UNLESS OTHERWISE SPECIFIED TOLERANCES	APPROVAL		DATE
	U.S.	METRIC	
.X	+/-	0.50	DRAWN XS.Guo 3/27/13
.XX	+/-	0.30	CHECKED Tony 3/27/13
.XXX	+/-	0.20	CHECKED
FRACTIONS	+/-	2'	
ANGLES	+/-		
FOR MATERIALS AND FINISHES SEE NOTES			DRAWING FILE :
REMOVE SHARP EDGES			ANGLE OF PROJECTION
DIMENSIONS			
U.S. INCHES			
METRIC MM			

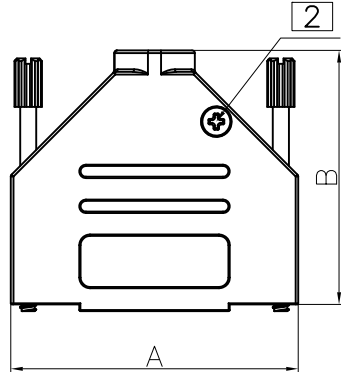
<b>Amphenol</b>		Amphenol East Asia Limited	
TITLE			
<b>Metal Hood DTZK series</b>			
SIZE	DRAWING NO.	REV.	
A4	C L17D TZK XXX XX T	3	
SCALE	NONE	SHEET 2 OF 4	



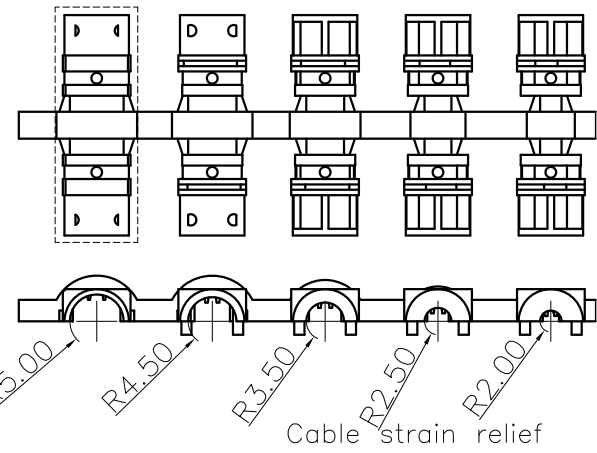
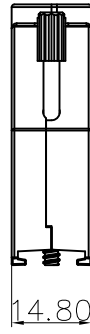
Part Number	A	B	Part Number
L17D TZK 09K FM T	31 (1.220")	38.3 (1.508")	L17D TZK 09K T
L17D TZK 15K FM T	39.5 (1.555")	40.5 (1.594")	L17D TZK 15K T
L17D TZK 25K FM T	53.4 (2.102")	48.2 (1.897")	L17D TZK 25K T
L17D TZK 37K FM T	70 (2.755")	52.2 (2.055")	L17D TZK 37K T

**Customer drawing**

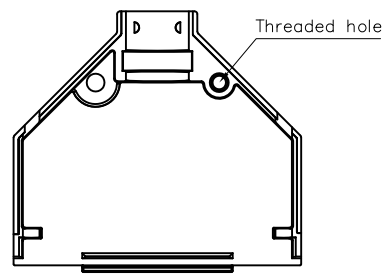
This document is the property of Amphenol Corporation and is delivered on the express condition that it is not to be disclosed, reproduced or used, in whole or in part, for manufacture or sale by anyone other than Amphenol Corporation without its prior consent, & that no right is granted to disclose or to use any information in this document.



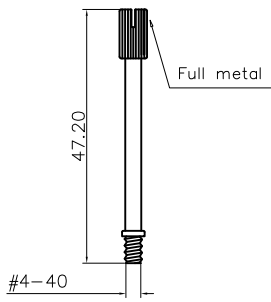
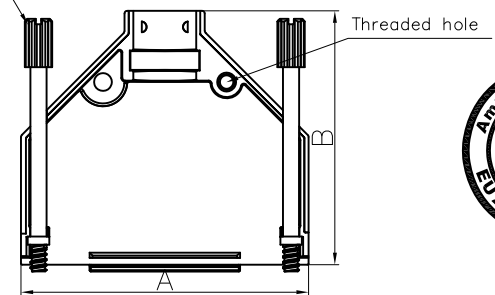
L17D TZK 25K XX T



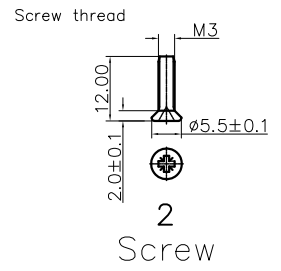
Cable strain relief



L17D TZK 25K XX T



Thumb screw



Part Number	A	B	Part Number
L17D TZK 09K FM T	31 (1.220")	38.3 (1.508")	L17D TZK 09K T
L17D TZK 15K FM T	39.5 (1.555")	40.5 (1.594")	L17D TZK 15K T
L17D TZK 25K FM T	53.4 (2.102")	48.2 (1.897")	L17D TZK 25K T
L17D TZK 37K FM T	70 (2.755")	52.2 (2.055")	L17D TZK 37K T

Customer drawing

REVISIONS				
SYM	ECN	DESCRIPTION	DATE	APPROVED
2		From self-tapering to self-tapping	May/05/11	IP
3	HK#	Correct View shape	3/27/13	IP

D-SUB TECHNICAL DATA

Material and finish:  
 Shell: die-cast, nickel plated  
 Thumb screws: with metal knob, nickel plated  
 Screws: Steel, blue chromate plating, Philips head  
 Cable strain relief: Plastic UL94 V-0  
 Temperature range: -40°C to 120°C  
 Cable diameter: 4.0-13.0mm  
 Attenuation factor: >40 dB between 30 MHz and 1 GHz

PRODUCT CODE

L 17DTZK XX K XX T

RoHS Compliance

Series 17DTZK:180°

Position: 9,15,25,37

Bulk Package

T: with threaded backshell, not self-tapping type

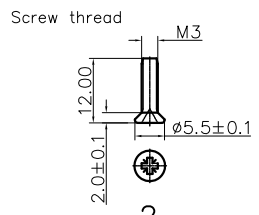
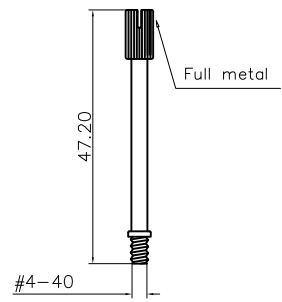
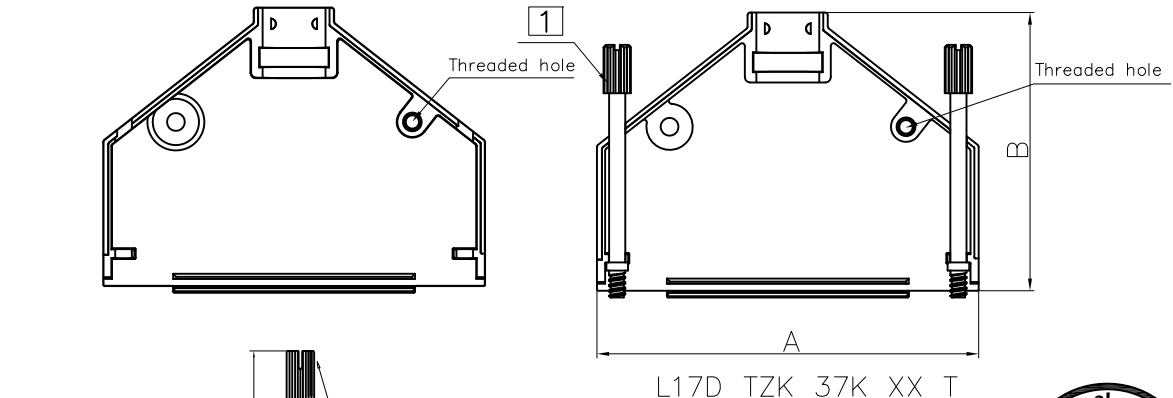
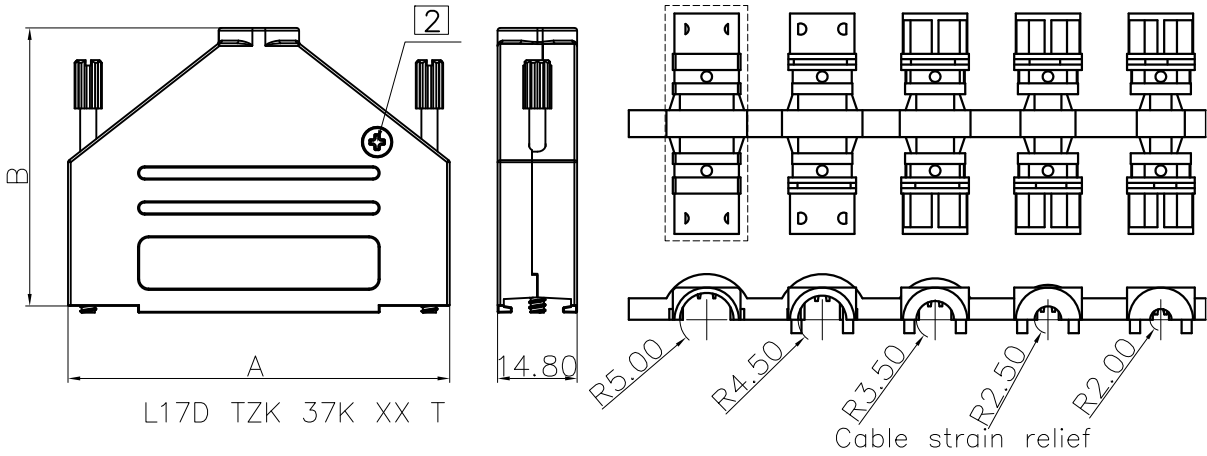
FM: Full steel metal screwlock  
 Blank: plastic knob on screwlock

UNLESS OTHERWISE SPECIFIED TOLERANCES	APPROVAL		DATE
	DRAWN	XS.Guo	3/27/13
U.S. METRIC	CHECKED	Tony	3/27/13
.X +/-	CHECKED		
.XX +/-			
.XXX +/-			
FRACTIONS +/-			
ANGLES +/-			
FOR MATERIALS AND FINISHES SEE NOTES	DRAWING FILE :		
REMOVE SHARP EDGES	ANGLE OF PROJECTION		
DIMENSIONS	U.S. INCHES		
U.S. INCHES	METRIC MM		

Amphenol  
Amphenol East Asia Limited

TITLE		
Metal Hood DTZK series		
SIZE	DRAWING NO.	REV.
A4	C L17D TZK XXX XX T	3
SCALE	NONE	SHEET 3 OF 4

This document is the property of Amphenol Corporation and is delivered on the express condition that it is not to be disclosed, reproduced or used, in whole or in part, for manufacture or sale by anyone other than Amphenol Corporation without its prior consent, & that no right is granted to disclose or to use any information in this document.



Part Number	A	B	Part Number
L17D TZK 09K FM T	31 (1.220")	38.3 (1.508")	L17D TZK 09K T
L17D TZK 15K FM T	39.5 (1.555")	40.5 (1.594")	L17D TZK 15K T
L17D TZK 25K FM T	53.4 (2.102")	48.2 (1.897")	L17D TZK 25K T
L17D TZK 37K FM T	70 (2.755")	52.2 (2.055")	L17D TZK 37K T

Customer drawing

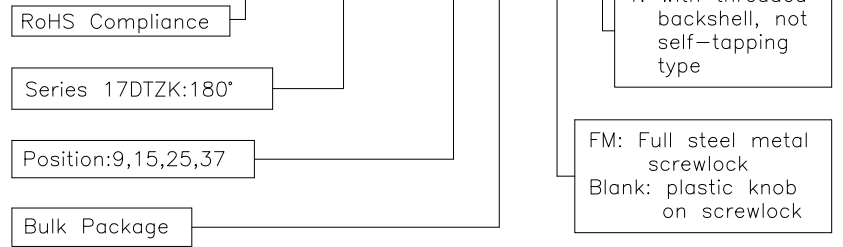
REVISIONS				
SYM	ECN	DESCRIPTION	DATE	APPROVED
2		From self-tapering to self-tapping	May/05/11	IP
3	HK#	Correct View shape	3/27/13	IP

D-SUB TECHNICAL DATA

Material and finish:  
 Shell: die-cast, nickel plated  
 Thumb screws: with metal knob, nickel plated  
 Screws: Steel, blue chromate plating, Philips head  
 Cable strain relief: Plastic UL94 V-0  
 Temperature range: -40°C to 120°C  
 Cable diameter: 4.0-13.0mm  
 Attenuation factor: >40 dB between 30 MHz and 1 GHz

PRODUCT CODE

L 17DTZK XX K XX T



UNLESS OTHERWISE SPECIFIED TOLERANCES		APPROVAL		DATE
U.S.	METRIC	DRAWN	XS.Guo	3/27/13
.X +/-	0.50	CHECKED	Tony	3/27/13
.XX +/-	0.30	CHECKED		
.XXX +/-	0.20			
FRACTIONS +/-	2'			
ANGLES +/-				
FOR MATERIALS AND FINISHES SEE NOTES		DRAWING FILE :		
REMOVE SHARP EDGES		ANGLE OF PROJECTION		
DIMENSIONS				
U.S.	INCHES			
METRIC	MM			

Amphenol		Amphenol East Asia Limited	
TITLE			
Metal Hood DTZK series			
SIZE	DRAWING NO.	REV.	
A4	C L17D TZK XXX XX T	3	
SCALE	NONE	SHEET 4 OF 4	