



Chipsmall Limited consists of a professional team with an average of over 10 year of expertise in the distribution of electronic components. Based in Hongkong, we have already established firm and mutual-benefit business relationships with customers from,Europe,America and south Asia,supplying obsolete and hard-to-find components to meet their specific needs.

With the principle of “Quality Parts,Customers Priority,Honest Operation,and Considerate Service”,our business mainly focus on the distribution of electronic components. Line cards we deal with include Microchip,ALPS,ROHM,Xilinx,Pulse,ON,Everlight and Freescale. Main products comprise IC,Modules,Potentiometer,IC Socket,Relay,Connector.Our parts cover such applications as commercial,industrial, and automotives areas.

We are looking forward to setting up business relationship with you and hope to provide you with the best service and solution. Let us make a better world for our industry!



## Contact us

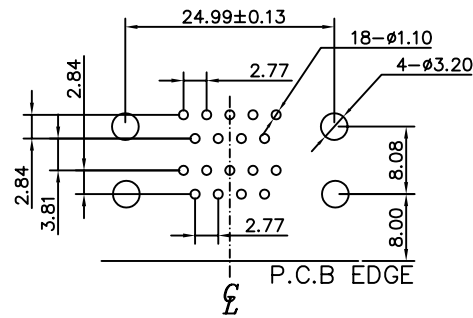
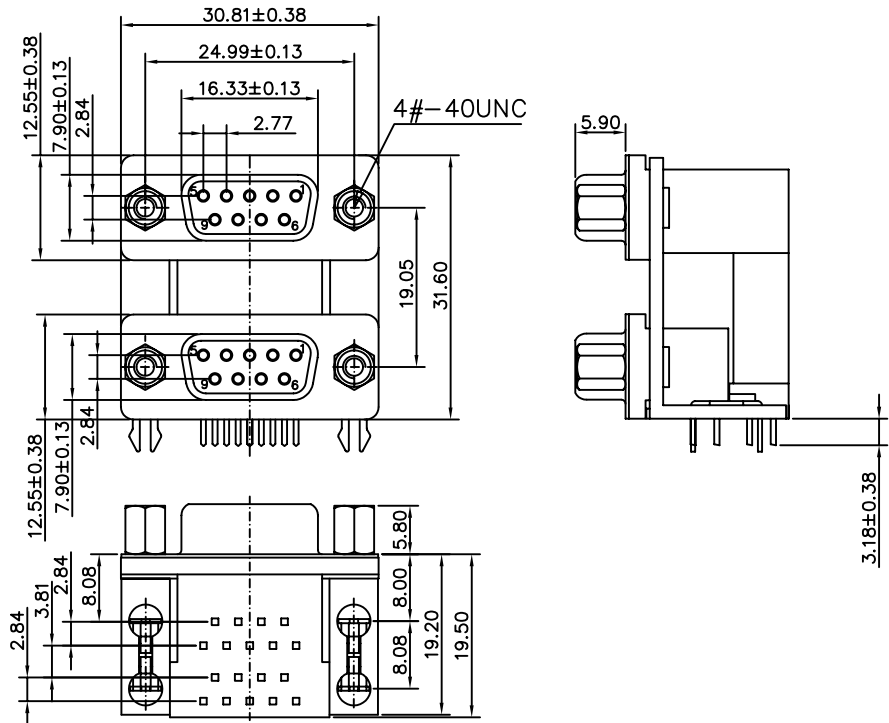
Tel: +86-755-8981 8866 Fax: +86-755-8427 6832

Email & Skype: info@chipsmall.com Web: www.chipsmall.com

Address: A1208, Overseas Decoration Building, #122 Zhenhua RD., Futian, Shenzhen, China



This document is the property of Amphenol Corporation and is delivered on the express condition that it is not to be disclosed, reproduced or used, in whole or in part, for manufacture or sale by anyone other than Amphenol Corporation without its prior consent, & that no right is granted to disclose or to use any information in this document.



RECOMMENDED P.C.B LAYOUT  
(Tolerance +/-0.3)

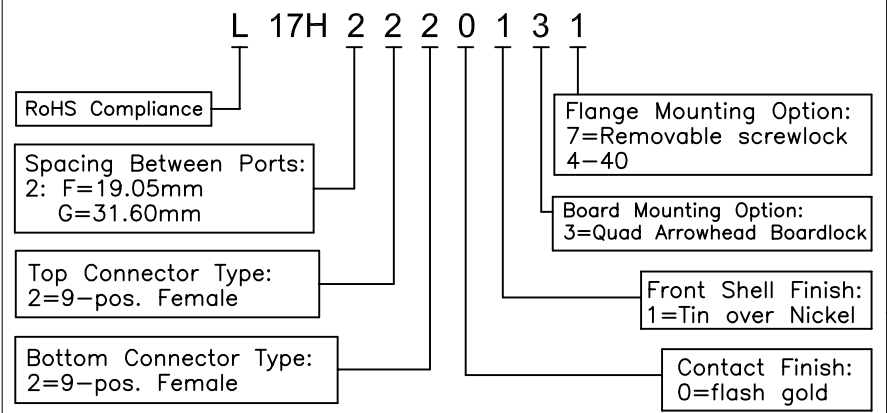


REVISIONS				
SYM	ECN	DESCRIPTION	DATE	APPROVED
1		New release	11/01/08	

**D-SUB TECHNICAL DATA**

SHELL : Steel, 100u" min. sn over 50u" min nickel.  
 BODY : Glass filled thermoplastic, high temperature.  
 CONTACTS : Phosphor bronze  
 Flash gold over 50u" min nickel on mating area.  
 100u" min tin over 50u" min nickel on solder area  
 BOARDLOCK : Phosphor bronze. 100u" min tin over 50u" min nickel  
 SCREWLOCK : Brass. 100u" min nickel plated  
 BRACKET : Brass. 100u" min. tin over 50u" min nickel  
 ELECTRICAL : Voltage rating :250 V Rms to 60 Hz  
 Current rating :3A  
 Withstanding Voltage >1000 V Rms to 50 Hz for one minute  
 Insulation resistance >5000 M Ohms  
 Contact resistance 20 mOhms max.  
 CLIMATIC : Temperature range -55 °C up to 125°C  
 MARKING : Amphenol...(Series No.)  
 Commercial reference  
 Manufacturing date

**PRODUCT CODE**



Customer drawing

UNLESS OTHERWISE SPECIFIED TOLERANCES		APPROVAL	DATE
U.S.	METRIC	DRAWN	Checked
.X +/-	0.50	Christina.csw	11/01/08
.XX +/-	0.30	CHECKED	Lik.wang
.XXX +/-	0.20	CHECKED	
FRACTIONS +/-			
ANGLES +/-	2'		
FOR MATERIALS AND FINISHES SEE NOTES		DRAWING FILE :	
REMOVE SHARP EDGES		ANGLE OF PROJECTION	
DIMENSIONS			
U.S.	INCHES		
METRIC	MM		

Amphenol®		
TITLE Dual port connector, 17H series		
SIZE	DRAWING NO.	REV.
A4	C L17H2220131	1
SCALE	NONE	SHEET 1 OF 1