



Chipsmall Limited consists of a professional team with an average of over 10 year of expertise in the distribution of electronic components. Based in Hongkong, we have already established firm and mutual-benefit business relationships with customers from,Europe,America and south Asia,supplying obsolete and hard-to-find components to meet their specific needs.

With the principle of “Quality Parts,Customers Priority,Honest Operation,and Considerate Service”,our business mainly focus on the distribution of electronic components. Line cards we deal with include Microchip,ALPS,ROHM,Xilinx,Pulse,ON,Everlight and Freescale. Main products comprise IC,Modules,Potentiometer,IC Socket,Relay,Connector.Our parts cover such applications as commercial,industrial, and automotives areas.

We are looking forward to setting up business relationship with you and hope to provide you with the best service and solution. Let us make a better world for our industry!



Contact us

Tel: +86-755-8981 8866 Fax: +86-755-8427 6832

Email & Skype: info@chipsmall.com Web: www.chipsmall.com

Address: A1208, Overseas Decoration Building, #122 Zhenhua RD., Futian, Shenzhen, China



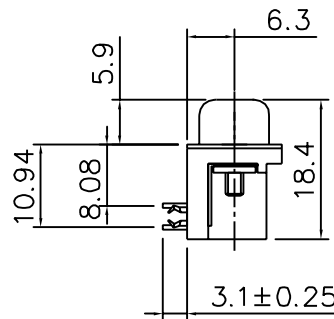
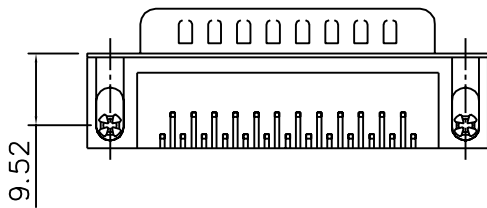
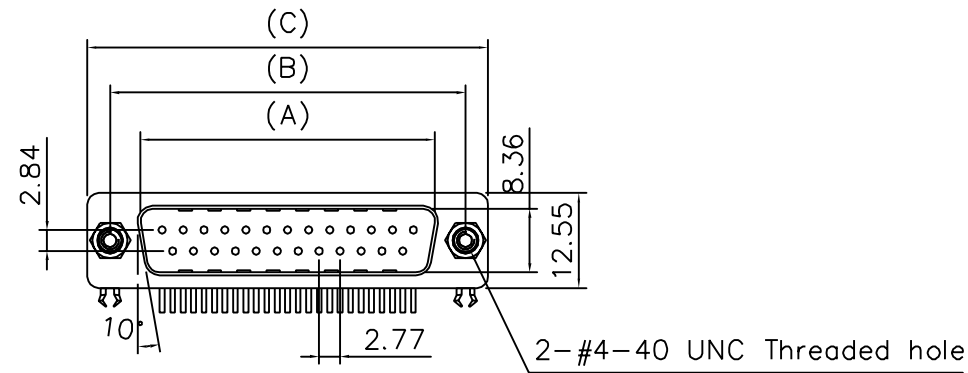
This document is the property of Amphenol Corporation and is delivered on the express condition that it is not to be disclosed, reproduced or used, in whole or in part, for the manufacture or sale by anyone other than Amphenol Corporation without its prior consent, and that no right is granted to disclose or to use any information in this document.

MALE

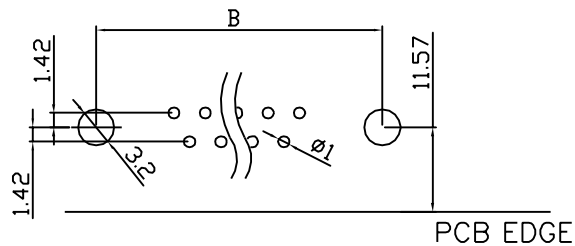
Specifications

Contact Resistance: 30m ohms max. at DC 100mA
 Insulator Resistance: 1000M ohms min. at DC 500V
 Current Rating: 5 AMP
 Dielectric Withstanding Voltage: AC 1000V For 1 minute
 Operating Temperature: -55°C ~ +150°C
 resist to short term (30s) at 260°C
 Shell : steel, tin plated
 Contact: Brass , selective gold flash
 Termination : Tin over Nickel
 Housing: Glass-filled thermoplastic (UL 94V-0)

ROHS compliant
 MSL components : level 3



RECOMMENDED PCB LAYOUT



Size	part number	A	B	C
09	L17HTNEP4R1C	16.92	24.99	30.81
15	L17HTNAP4R1C	25.25	33.32	39.14
25	L17HTNBP4R1C	38.96	47.04	53.0.4
37	L17HTNCP4R1C	55.42	63.50	69.32

TOLERANCE (mm)	APPROVALS	DATE	TITLE	AMPHENOL AMPHENOL SOCAPEX Dole Plant	
X. ±0.3	DRAWN GDU	07/06/06	17HT SERIES CONNECTORS HIGH TEMP MATERIAL MIL FOOTPRINT PLUG	Scale N.A.	Sheet 1 of 1
X.X ±0.1	CHECKED J.F.L	07/06/06			
X.XX ±0.05	APPROVED J.F.L	07/06/06			
UNLESS OTHERWISE SPECIFIED	UNIT : MM		SIZE : A4 DRAWING N° : L17HTN-P4R1C	REV. : A	