



Chipsmall Limited consists of a professional team with an average of over 10 year of expertise in the distribution of electronic components. Based in Hongkong, we have already established firm and mutual-benefit business relationships with customers from,Europe,America and south Asia,supplying obsolete and hard-to-find components to meet their specific needs.

With the principle of “Quality Parts,Customers Priority,Honest Operation,and Considerate Service”,our business mainly focus on the distribution of electronic components. Line cards we deal with include Microchip,ALPS,ROHM,Xilinx,Pulse,ON,Everlight and Freescale. Main products comprise IC,Modules,Potentiometer,IC Socket,Relay,Connector.Our parts cover such applications as commercial,industrial, and automotives areas.

We are looking forward to setting up business relationship with you and hope to provide you with the best service and solution. Let us make a better world for our industry!



## Contact us

Tel: +86-755-8981 8866 Fax: +86-755-8427 6832

Email & Skype: info@chipsmall.com Web: www.chipsmall.com

Address: A1208, Overseas Decoration Building, #122 Zhenhua RD., Futian, Shenzhen, China



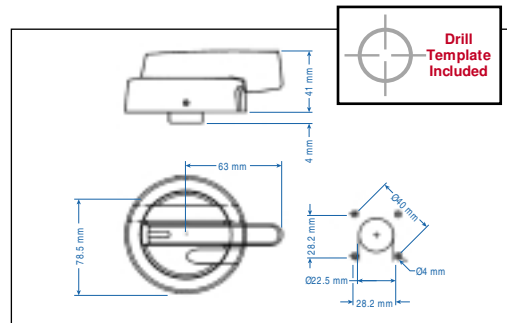
## Extended Handle Accessories

### DOOR INTERLOCK HANDLES

Features retention mechanism to keep in 'OFF' position while cabinet door is open. Only rotates 90° from off to on position. One defeatable.



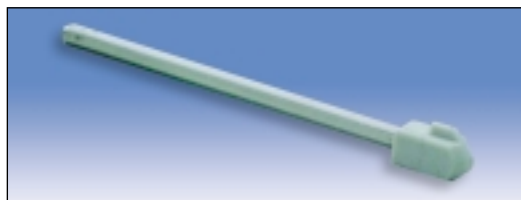
<b>Cat. No.</b>	LK11 U	LK11 Y/R U
<b>Environmental Rating</b>	NEMA Type 4X, IP67	NEMA Type 4X, IP67
<b>Color</b>	Black	Yellow/Red



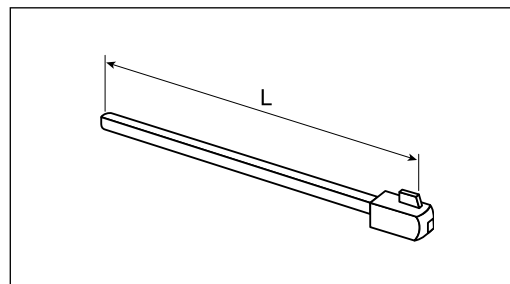
**Dimensions** (to convert to inches multiply by 0.03937)

### DOOR INTERLOCK SHAFT

The steel shaft ensures reliable operation even in the toughest conditions.



<b>Cat. No.</b>	L100AD11-ST	L200AD11-ST	L300AD11-ST
<b>Length (L)</b>	100mm	200mm	300mm
<b>Material</b>	Steel	Steel	Steel



### AUXILIARY SWITCHES

The auxiliary switches are the snap-on type and can be retrofitted.



<b>Cat. No.</b>	KU1.V	KU2.V	VKA1.V	VKA2.V
<b>Electrical Rating</b>	10A/1/2HP/125-250V AC	10A/1/2HP/125-250V AC	10A/1/2HP/125-250V AC	10A/1/2HP/125-250V AC
<b>No. of contacts</b>	1n.o./1n.c.	2n.o./2n.c.	1n.o./1n.c.	2n.o./2n.c.
<b>For Use With</b>	KU models	KU models	VKA models	VKA models

### FUSE HOLDER

This fuseholder can be retrofitted with the KU340N. Therefore design changes can be incorporated with ease to allow a fusible disconnect.



Shown with extended handle switch.

<b>Cat. No.</b>	KV 10x38	KV 10x38 CC
<b>Electrical Rating</b>	30A/600V AC	30A/600V AC
<b>Fuse Type</b>	10x38, Midget	Class CC
<b>For Use With</b>	KU340N	KU340N

**Dimensions** (to convert to inches multiply by 0.03937)

