



Chipsmall Limited consists of a professional team with an average of over 10 year of expertise in the distribution of electronic components. Based in Hongkong, we have already established firm and mutual-benefit business relationships with customers from,Europe,America and south Asia,supplying obsolete and hard-to-find components to meet their specific needs.

With the principle of “Quality Parts,Customers Priority,Honest Operation,and Considerate Service”,our business mainly focus on the distribution of electronic components. Line cards we deal with include Microchip,ALPS,ROHM,Xilinx,Pulse,ON,Everlight and Freescale. Main products comprise IC,Modules,Potentiometer,IC Socket,Relay,Connector.Our parts cover such applications as commercial,industrial, and automotives areas.

We are looking forward to setting up business relationship with you and hope to provide you with the best service and solution. Let us make a better world for our industry!



## Contact us

Tel: +86-755-8981 8866 Fax: +86-755-8427 6832

Email & Skype: info@chipsmall.com Web: www.chipsmall.com

Address: A1208, Overseas Decoration Building, #122 Zhenhua RD., Futian, Shenzhen, China





# L293B L293E

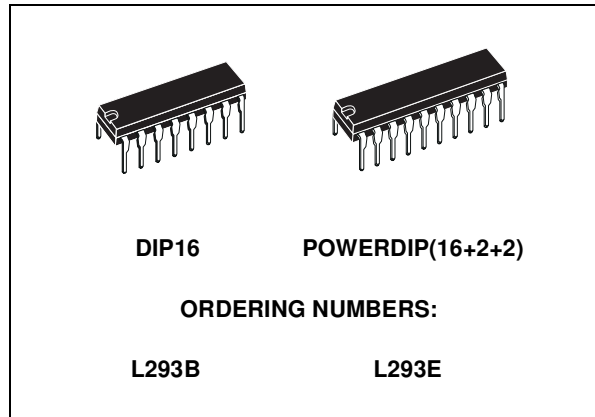
## PUSH-PULL FOUR CHANNEL DRIVERS

- OUTPUT CURRENT 1A PER CHANNEL
- PEAK OUTPUT CURRENT 2A PER CHANNEL (non repetitive)
- INHIBIT FACILITY
- HIGH NOISE IMMUNITY
- SEPARATE LOGIC SUPPLY
- OVERTEMPERATURE PROTECTION

### DESCRIPTION

The L293B and L293E are quad push-pull drivers capable of delivering output currents to 1A per channel. Each channel is controlled by a TTL-compatible logic input and each pair of drivers (a full bridge) is equipped with an inhibit input which turns off all four transistors. A separate supply input is provided for the logic so that it may be run off a lower voltage to reduce dissipation.

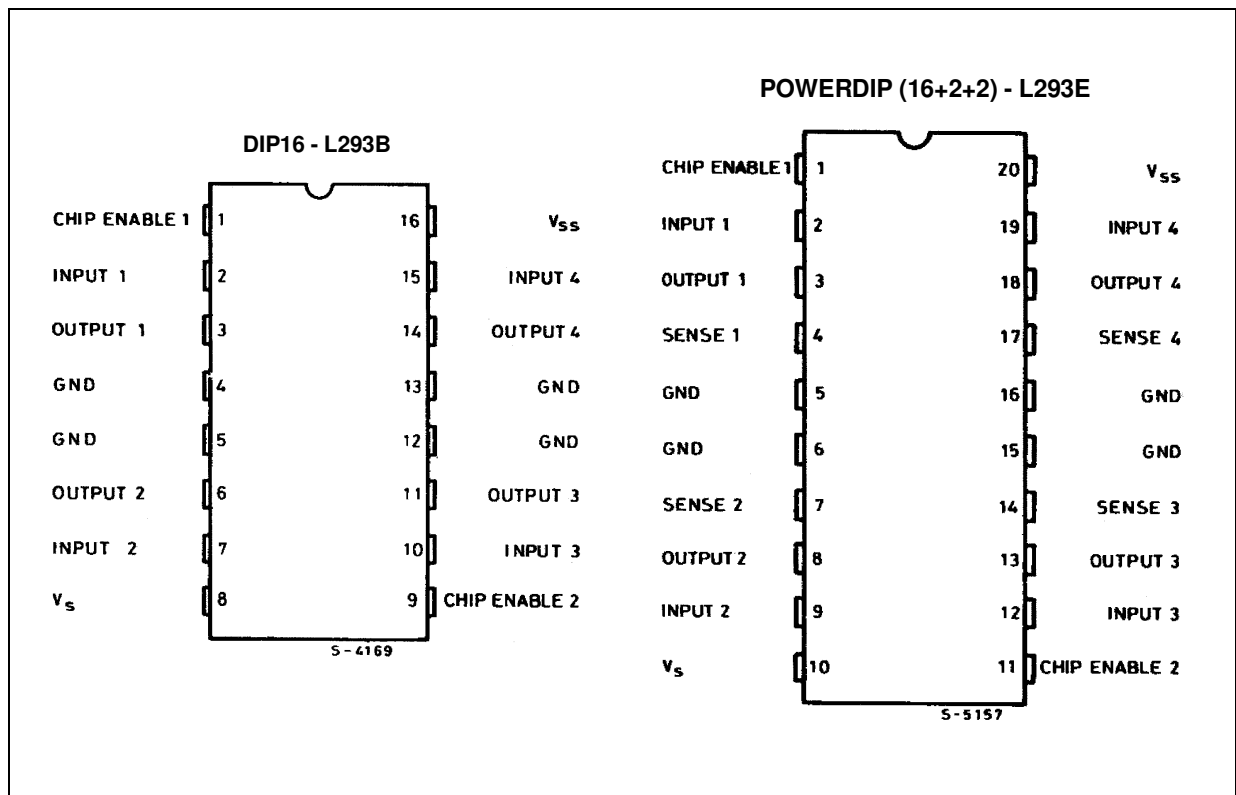
Additionally, the L293E has external connection of



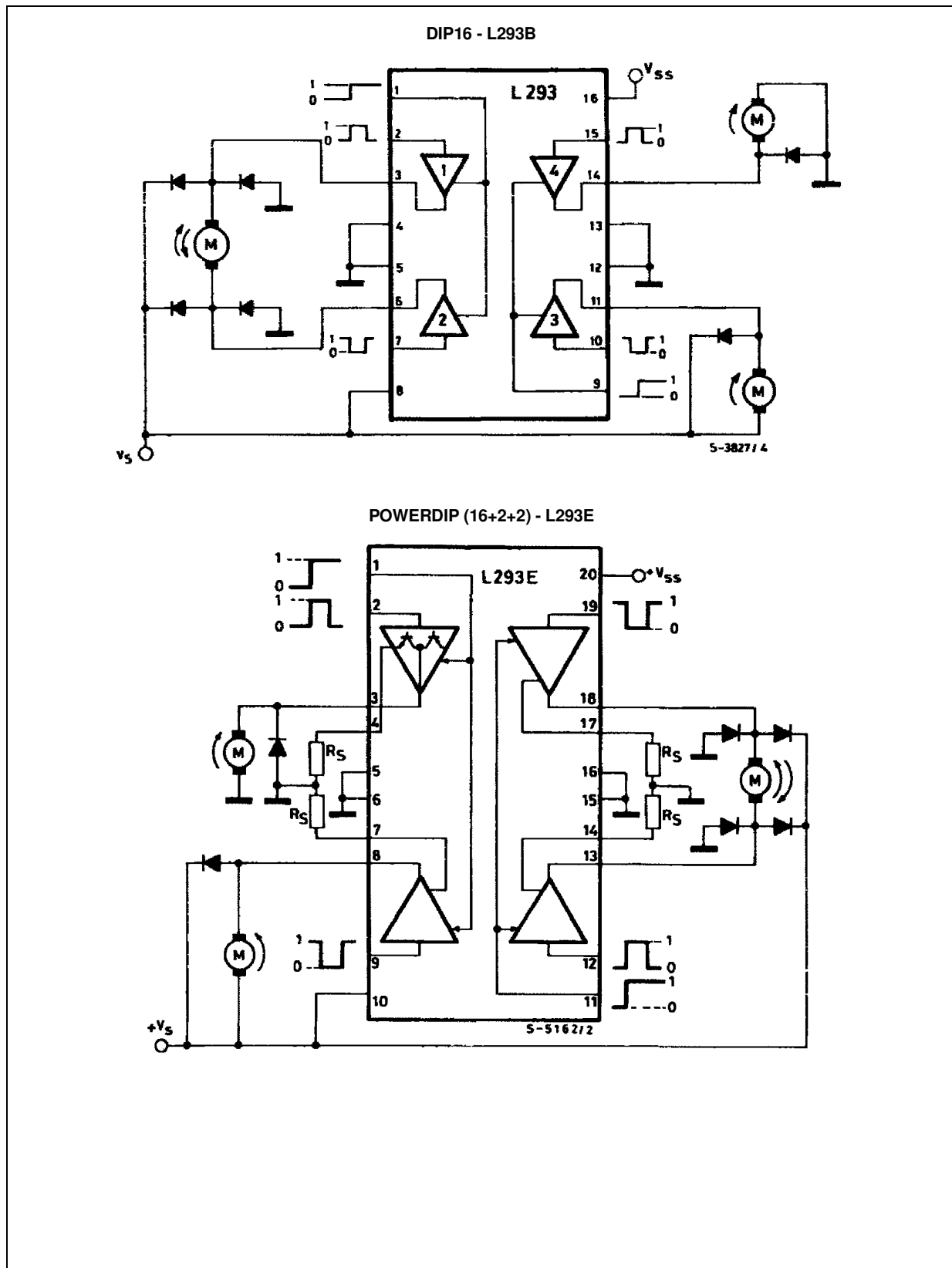
sensing resistors, for switchmode control.

The L293B and L293E are package in 16 and 20-pin plastic DIPs respectively ; both use the four center pins to conduct heat to the printed circuit board.

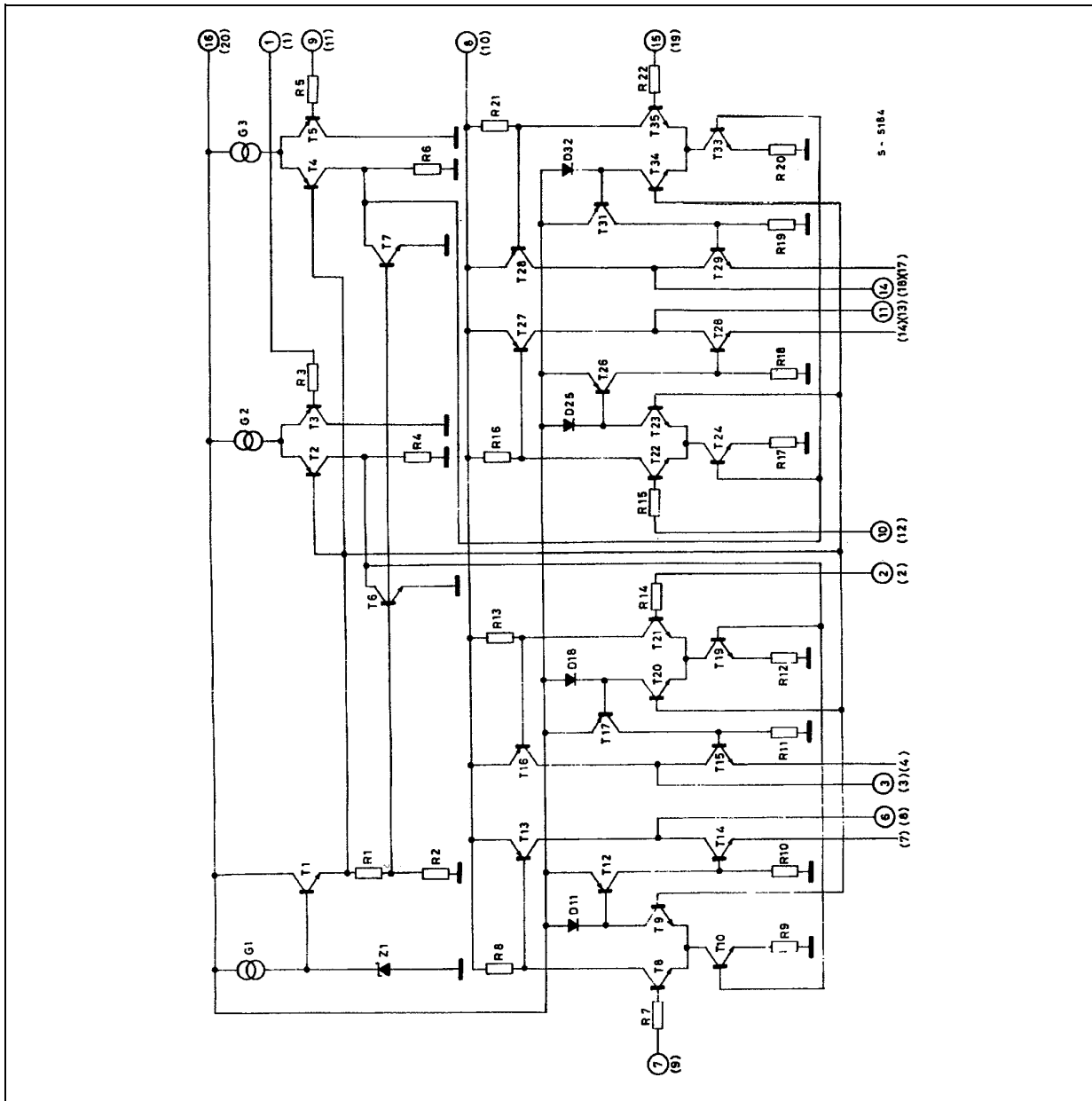
### PIN CONNECTION (Top view)



BLOCK DIAGRAMS



**SCHEMATIC DIAGRAM**



(\*) In the L293 these points are not externally available. They are internally connected to the ground (substrate).  
 O Pins of L293                      () Pins of L293E.

**ABSOLUTE MAXIMUM RATINGS**

Symbol	Parameter	Value	Unit
$V_s$	Supply Voltage	36	V
$V_{ss}$	Logic Supply Voltage	36	V
$V_i$	Input Voltage	7	V
$V_{inh}$	Inhibit Voltage	7	V
$I_{out}$	Peak Output Current (non repetitive $t = 5ms$ )	2	A
$P_{tot}$	Total Power Dissipation at $T_{ground-pins} = 80^{\circ}C$	5	W
$T_{stg}, T_j$	Storage and Junction Temperature	-40 to +150	$^{\circ}C$



**THERMAL DATA**

Symbol	Parameter	Value	Unit
R <sub>th j-case</sub>	Thermal Resistance Junction-case	Max. 14	°C/W
R <sub>th j-amb</sub>	Thermal Resistance Junction-ambient	Max. 80	°C/W

**ELECTRICAL CHARACTERISTICS**

Symbol	Parameter	Test Condition	Min.	Typ.	Max.	Unit
V <sub>s</sub>	Supply Voltage		V <sub>SS</sub>		36	V
V <sub>SS</sub>	Logic Supply Voltage		4.5		36	V
I <sub>s</sub>	Total Quiescent Supply Current	V <sub>i</sub> = L; I <sub>o</sub> = 0; V <sub>inh</sub> = H		2	6	mA
		V <sub>i</sub> = h; I <sub>o</sub> = 0; V <sub>inh</sub> = H		16	24	mA
		V <sub>inh</sub> = L			4	mA
I <sub>SS</sub>	Total Quiescent Logic Supply Current	V <sub>i</sub> = L; I <sub>o</sub> = 0; V <sub>inh</sub> = H		44	60	mA
		V <sub>i</sub> = h; I <sub>o</sub> = 0; V <sub>inh</sub> = H		16	22	mA
		V <sub>inh</sub> = L		16	24	mA
V <sub>iL</sub>	Input Low Voltage		-0.3		1.5	V
V <sub>iH</sub>	Input High Voltage	V <sub>SS</sub> ≤ 7V	2.3		V <sub>SS</sub>	V
		V <sub>SS</sub> > 7V	2.3		7	V
I <sub>iL</sub>	Low Voltage Input Current	V <sub>il</sub> = 1.5V			-10	μA
I <sub>iH</sub>	High Voltage Input Current	2.3V ≤ V <sub>iH</sub> ≤ V <sub>SS</sub> - 0.6V		30	100	μA
V <sub>inhL</sub>	Inhibit Low Voltage		-0.3		1.5	V
V <sub>inhH</sub>	Inhibit High Voltage	V <sub>SS</sub> ≤ 7V	2.3		V <sub>SS</sub>	V
		V <sub>SS</sub> > 7V	2.3		7	V
I <sub>inhL</sub>	Low Voltage Inhibit Current	V <sub>inhL</sub> = 1.5V		-30	-100	μA
I <sub>inhH</sub>	High Voltage Inhibit Current	2.3V ≤ V <sub>inhH</sub> ≤ V <sub>SS</sub> - 0.6V			±10	μA
V <sub>CEsatH</sub>	Source Output Saturation Voltage	I <sub>o</sub> = -1A		1.4	1.8	V
V <sub>CEsatL</sub>	Sink Output Saturation Voltage	I <sub>o</sub> = 1A		1.2	1.8	V
V <sub>SENS</sub>	Sensing Voltage (pins 4, 7, 14, 17) (**)				2	V
t <sub>r</sub>	Rise Time	0.1 to 0.9 V <sub>o</sub> (*)		250		ns
t <sub>f</sub>	Fall Time	0.9 to 0.1 V <sub>o</sub> (*)		250		ns
t <sub>on</sub>	Turn-on Delay	0.5 V <sub>i</sub> to 0.5 V <sub>o</sub> (*)		750		ns
t <sub>off</sub>	Turn-off Delay	0.5 V <sub>i</sub> to 0.5 V <sub>o</sub> (*)		200		ns

\* See figure 1

\*\* Referred to L293E

**TRUTH TABLE**

V <sub>i</sub> (each channel)	V <sub>o</sub>	V <sub>inh</sub> (**)
H	H	H
L	L	H
H	X (*)	L
L	X (*)	L

(\*) High output impedance

(\*\*) Relative to the considerate channel



Figure 1. Switching Timers

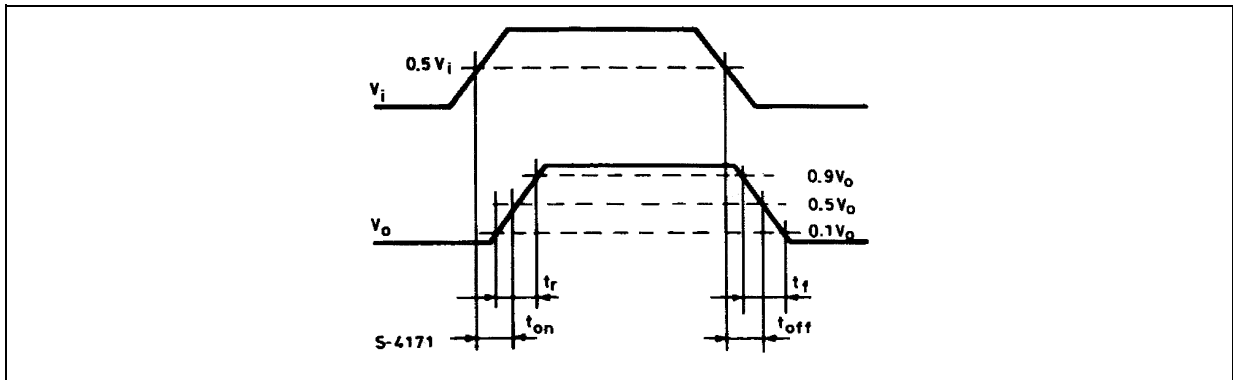


Figure 2. Saturation voltage versus Output Current

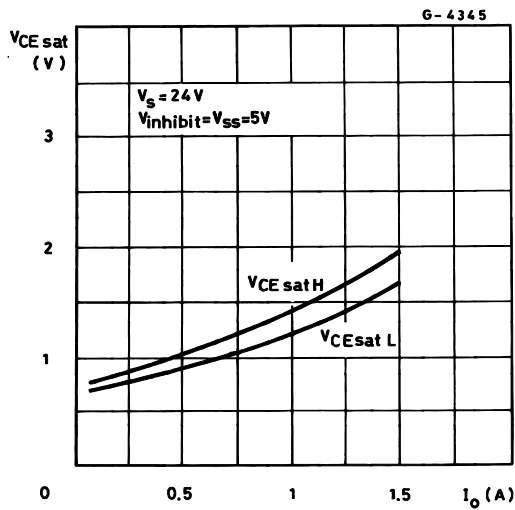


Figure 3. Source Saturation Voltage versus Ambient Temperature

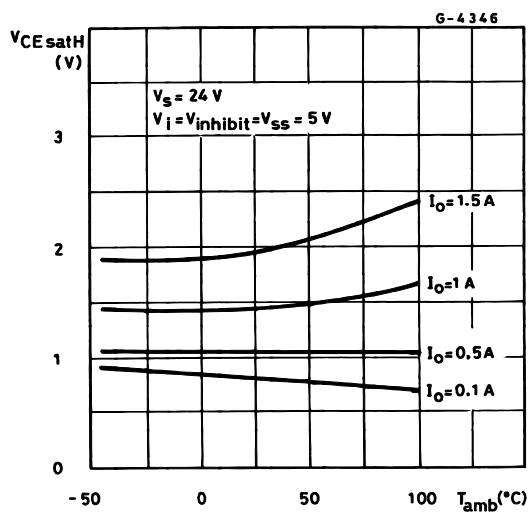


Figure 4. Sink Saturation Voltage versus Ambient Temperature

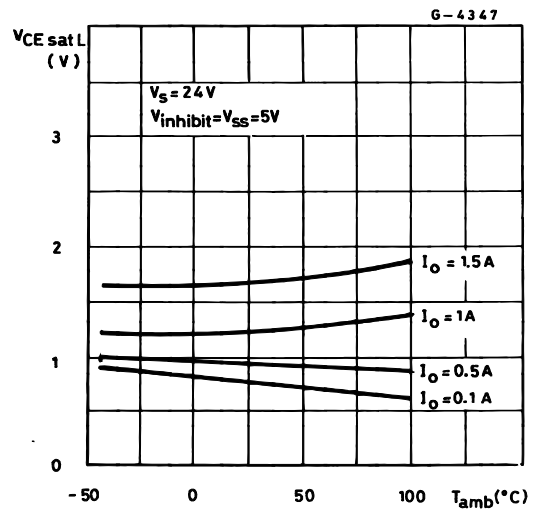


Figure 5. Quiescent Logic Supply Current versus Logic Supply Voltage

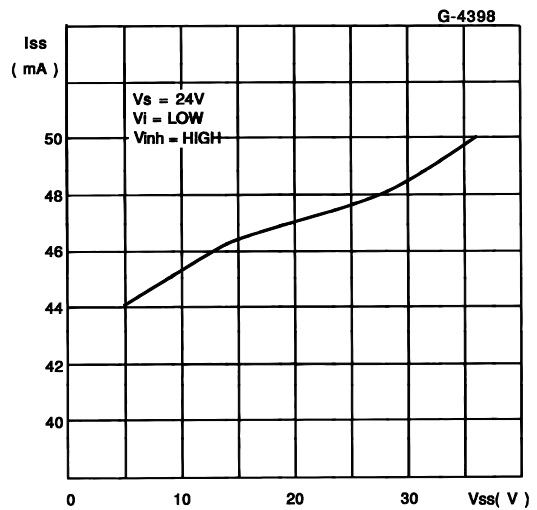


Figure 6. Output Voltage versus Input Voltage

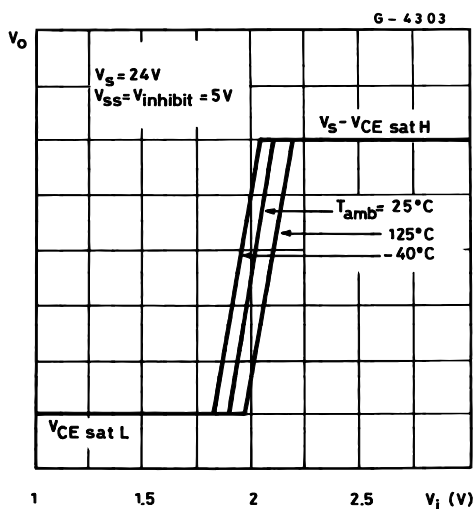
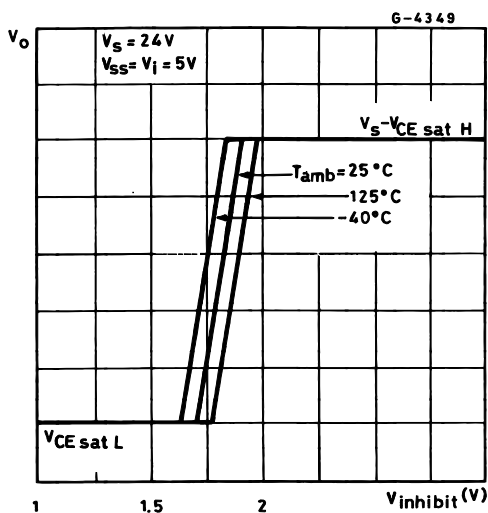
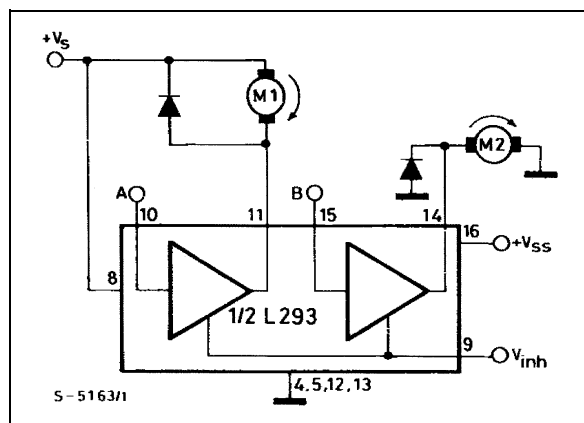


Figure 7. Output Voltage versus Inhibit Voltage



APPLICATION INFORMATION

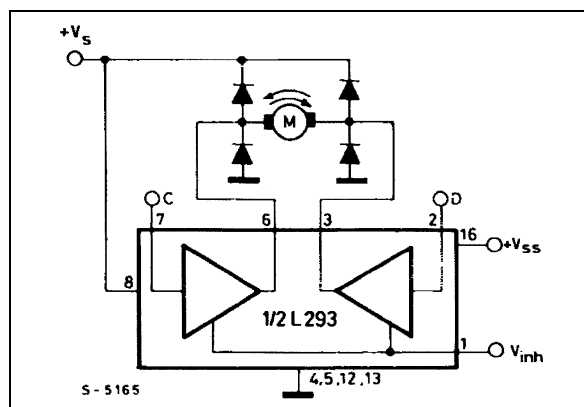
Figure 8. DC Motor Controls (with connection to ground and to the supply voltage)



$V_{inh}$	A	M1	B	M2
H	H	Fast Motor Stop	H	Run
H	L	Run	L	Fast Motor Stop
L	X	Free Running	X	Free Running
		Motor Stop		Motor Stop

L = Low H = High X = Don't Care

Figure 9. Bidirectional DC Motor Control



Inputs	Function	
$V_{inh} = H$	C = H ; D = L	Turn Right
	C = L ; D = H	Turn Left
	C = D	Fast Motor Stop
$V_{inh} = L$	C = X ; D = X	Free Running Motor Stop

L = Low H = High X = Don't Care



Figure 10. Bipolar Stepping Motor Control

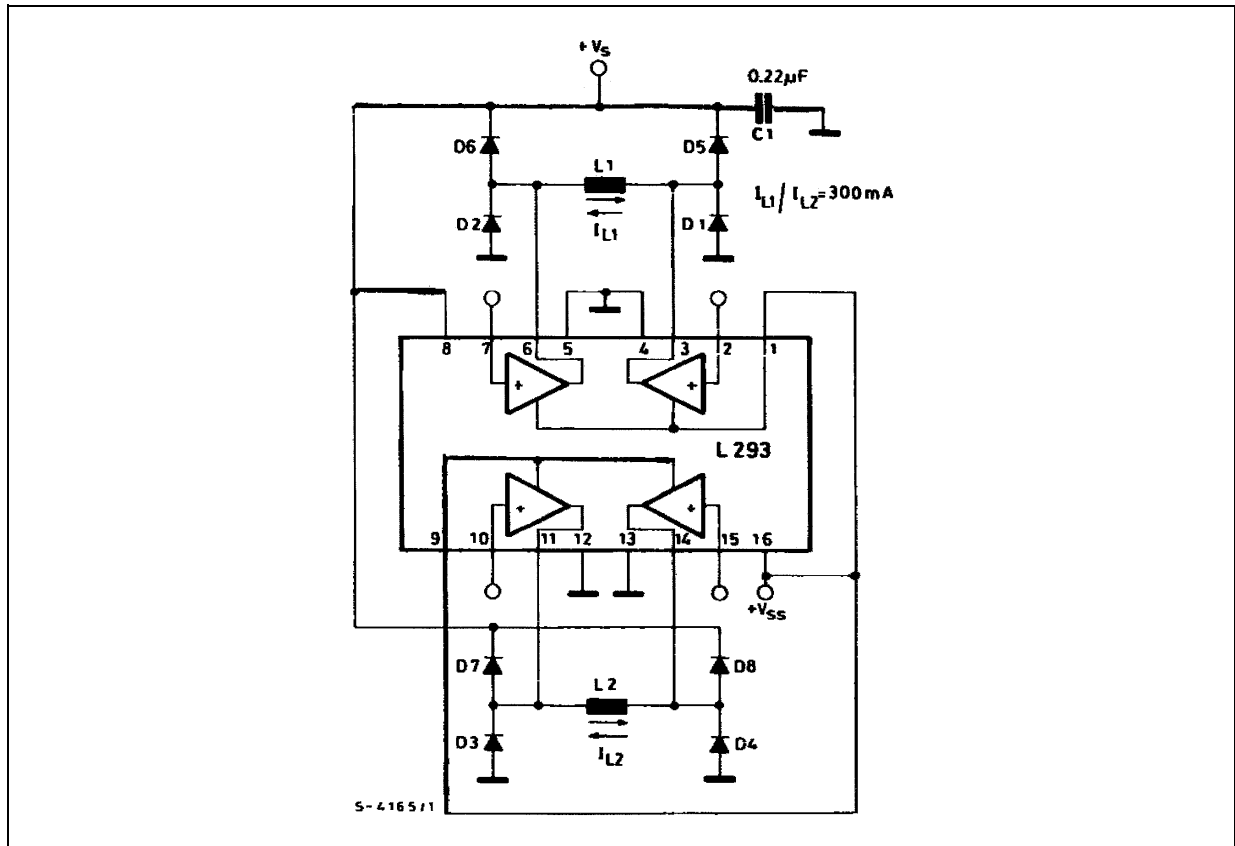
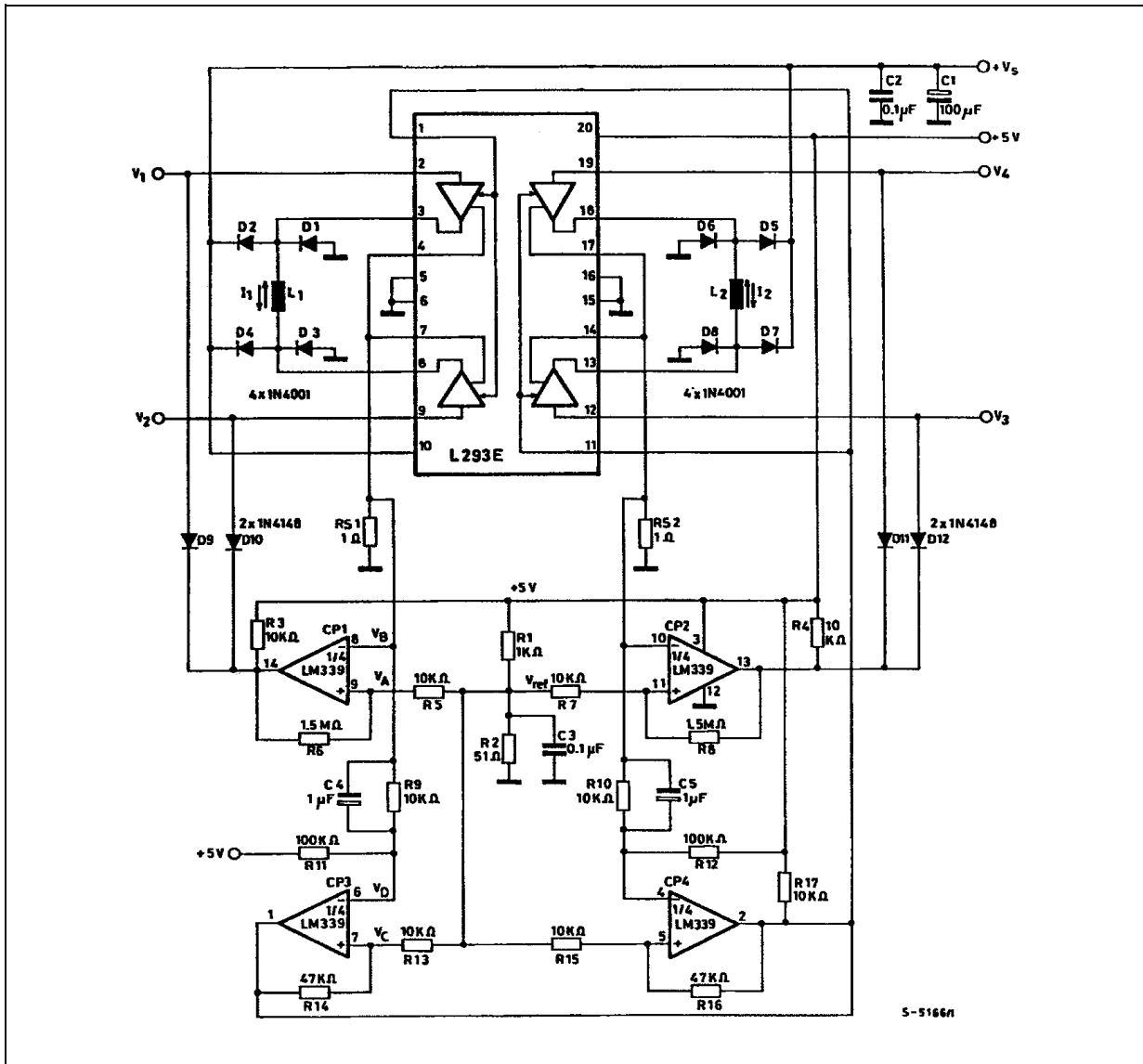




Figure 11. Stepping Motor Driver with Phase Current Control and Short Circuit Protection



## MOUNTING INSTRUCTIONS

The  $R_{thj-amb}$  of the L293B and the L293E can be reduced by soldering the GND pins to a suitable copper area of the printed circuit board as shown in figure 12 or to an external heatsink (figure 13).

During soldering the pins temperature must not exceed 260°C and the soldering time must not be longer than 12 seconds.

The external heatsink or printed circuit copper area must be connected to electrical ground.

Figure 12. Example of P.C. Board Copper Area which is Used as Heatsink

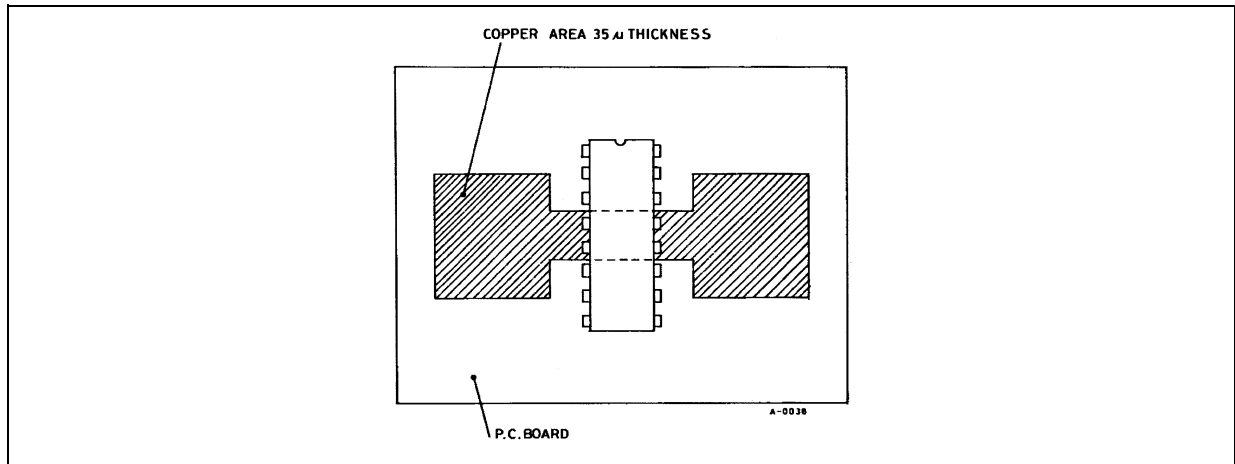
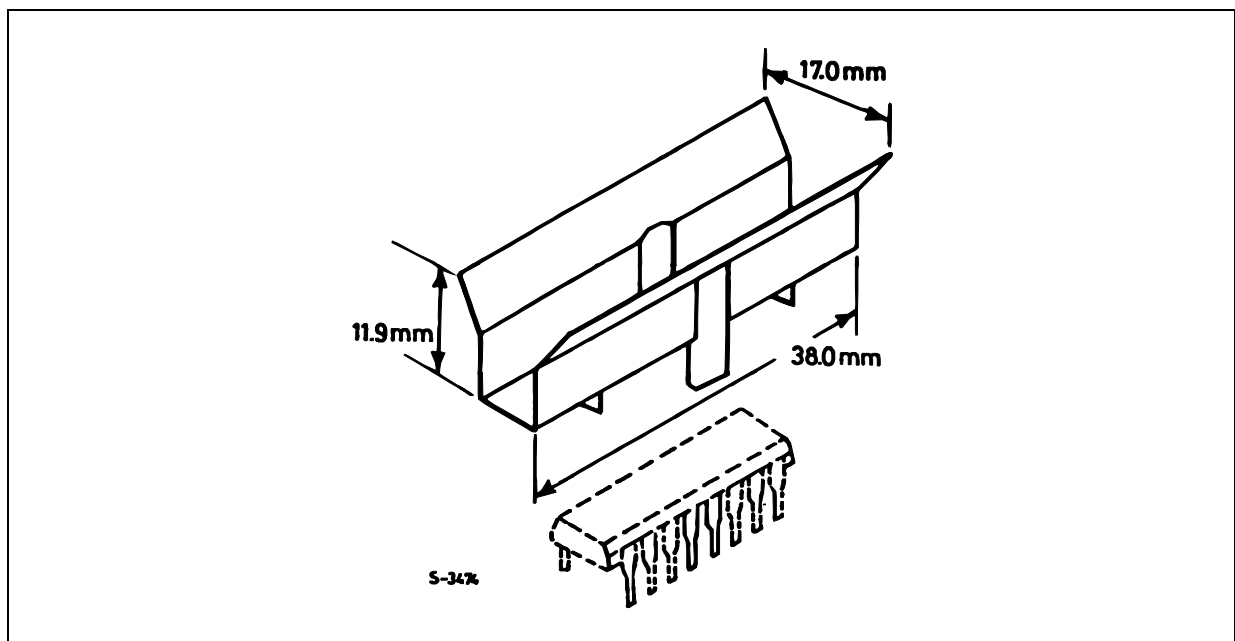
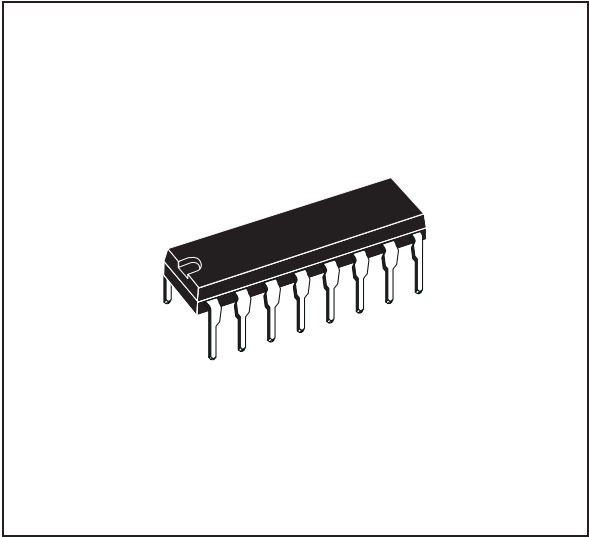


Figure 13. External Heatsink Mounting Example ( $R_{th} = 30^{\circ}\text{C/W}$ )

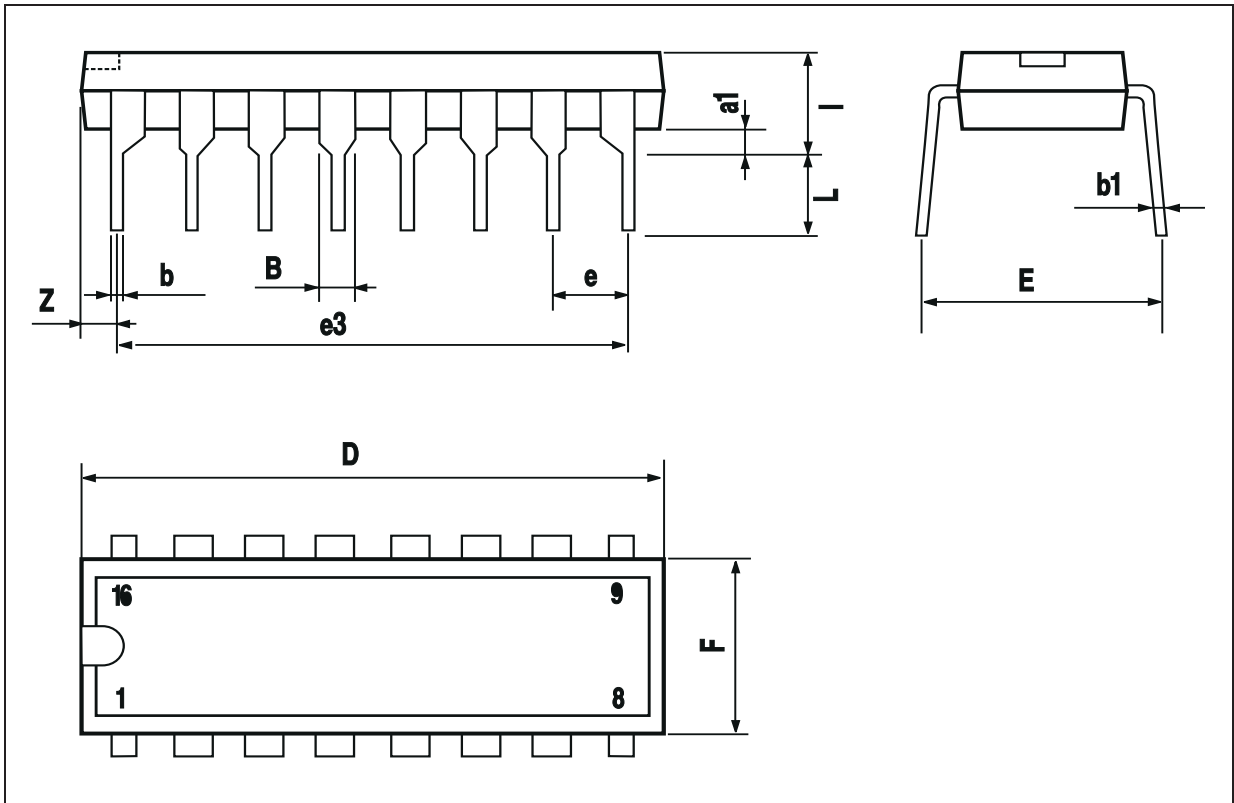


DIM.	mm			inch		
	MIN.	TYP.	MAX.	MIN.	TYP.	MAX.
a1	0.51			0.020		
B	0.77		1.65	0.030		0.065
b		0.5			0.020	
b1		0.25			0.010	
D			20			0.787
E		8.5			0.335	
e		2.54			0.100	
e3		17.78			0.700	
F			7.1			0.280
I			5.1			0.201
L		3.3			0.130	
Z			1.27			0.050

**OUTLINE AND MECHANICAL DATA**

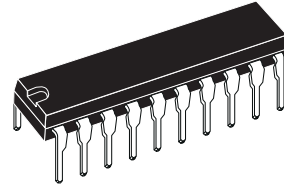


**DIP16**

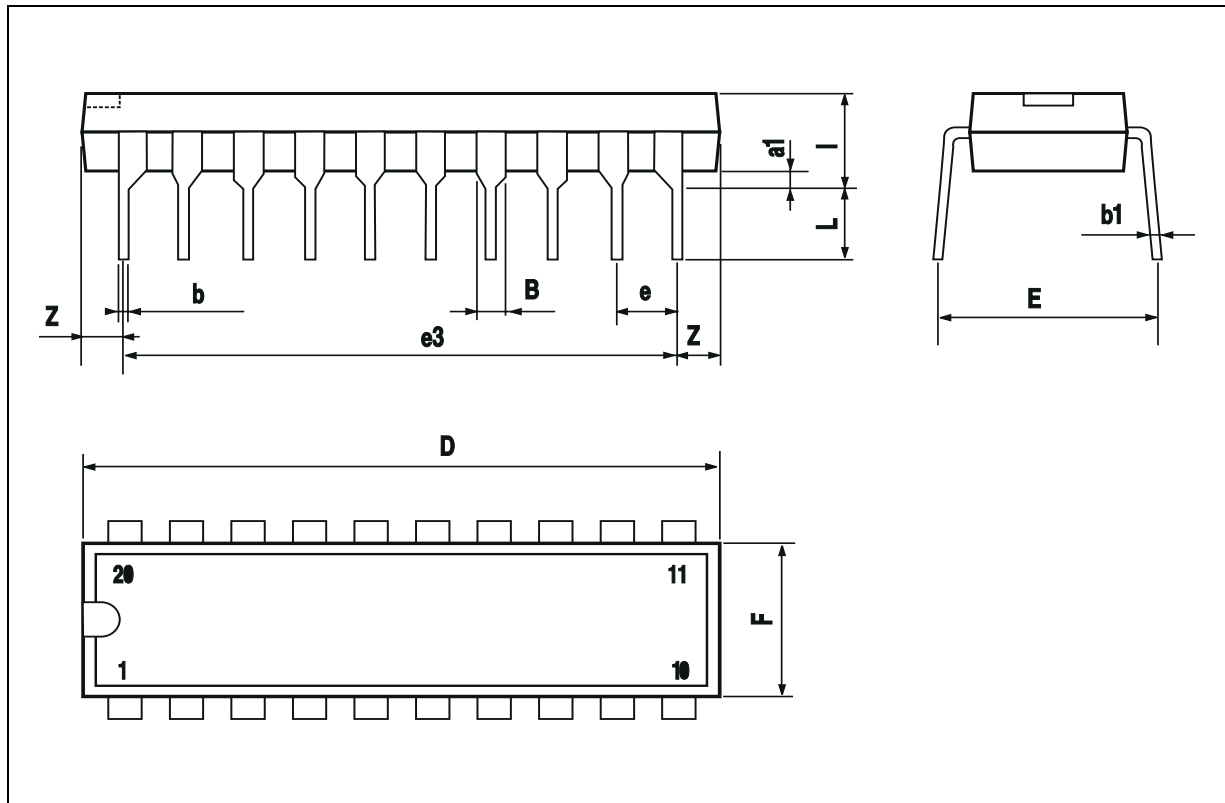


DIM.	mm			inch		
	MIN.	TYP.	MAX.	MIN.	TYP.	MAX.
a1	0.51			0.020		
B	0.85		1.40	0.033		0.055
b		0.50			0.020	
b1	0.38		0.50	0.015		0.020
D			24.80			0.976
E		8.80			0.346	
e		2.54			0.100	
e3		22.86			0.900	
F			7.10			0.280
I			5.10			0.201
L		3.30			0.130	
Z			1.27			0.050

**OUTLINE AND MECHANICAL DATA**



**Powerdip 20**



Information furnished is believed to be accurate and reliable. However, STMicroelectronics assumes no responsibility for the consequences of use of such information nor for any infringement of patents or other rights of third parties which may result from its use. No license is granted by implication or otherwise under any patent or patent rights of STMicroelectronics. Specifications mentioned in this publication are subject to change without notice. This publication supersedes and replaces all information previously supplied. STMicroelectronics products are not authorized for use as critical components in life support devices or systems without express written approval of STMicroelectronics.

STMicroelectronics acknowledges the trademarks of all companies referred to in this document.

The ST logo is a registered trademark of STMicroelectronics  
© 2003 STMicroelectronics - All Rights Reserved

STMicroelectronics GROUP OF COMPANIES  
Australia - Brazil - Canada - China - Finland - France - Germany - Hong Kong - India - Israel - Italy - Japan - Malaysia - Malta - Morocco -  
Singapore - Spain - Sweden - Switzerland - United Kingdom - United States.  
<http://www.st.com>