



Chipsmall Limited consists of a professional team with an average of over 10 year of expertise in the distribution of electronic components. Based in Hongkong, we have already established firm and mutual-benefit business relationships with customers from,Europe,America and south Asia,supplying obsolete and hard-to-find components to meet their specific needs.

With the principle of "Quality Parts,Customers Priority,Honest Operation,and Considerate Service",our business mainly focus on the distribution of electronic components. Line cards we deal with include Microchip,ALPS,ROHM,Xilinx,Pulse,ON,Everlight and Freescale. Main products comprise IC,Modules,Potentiometer,IC Socket,Relay,Connector.Our parts cover such applications as commercial,industrial, and automotives areas.

We are looking forward to setting up business relationship with you and hope to provide you with the best service and solution. Let us make a better world for our industry!



Contact us

Tel: +86-755-8981 8866 Fax: +86-755-8427 6832

Email & Skype: info@chipsmall.com Web: www.chipsmall.com

Address: A1208, Overseas Decoration Building, #122 Zhenhua RD., Futian, Shenzhen, China





LUXEON CoB Core Range (Gen 3)

Uniform, high-efficacy and easy-to-design array

The third generation of LUXEON CoB represents a new breakthrough for arrays. The efficacies will be >160 lm/W for 70CRI and 80CRI products. Due to its small Light Emitting Surface (LES) and industry-leading thermal resistance, LUXEON CoB is easy to work with, enabling simplified and less expensive luminaire designs. LUXEON CoBs are hot-tested at 85°C—real world operating conditions—which means additional testing can be minimized. LUXEON CoB LEDs are available in 3-step MacAdam ellipse, ensuring uniform optical performance in a wide range of applications.



FEATURES AND BENEFITS

Highest flux densities with industry's smallest LES

3-step MacAdam ellipse color definition: *Freedom from Binning* for color consistency from luminaire to luminaire

Up to 4x lower thermal resistance than competition, enabling smaller heatsinks and higher lumens

Supported by a comprehensive optical, mechanical and electrical ecosystem

PRIMARY APPLICATIONS

Architectural

Downlights

High Bay & Low Bay

Lamps

Outdoor

Specialty Lighting

Spotlights

Table of Contents

General Product Information	2
Product Test Conditions	2
Part Number Nomenclature	2
Lumen Maintenance	2
Environmental Compliance	2
Performance Characteristics	3
Product Selection Guide	3
Optical Characteristics	7
Electrical and Thermal Characteristics	7
Absolute Maximum Ratings	7
Characteristic Curves	8
Spectral Power Distribution Characteristics	8
Light Output Characteristics	9
Forward Current Characteristics	12
Radiation Pattern Characteristics	14
Color Bin Definitions	15
Mechanical Dimensions	16
Packaging and Labeling Information	18
Tube	18
Inner Box	20
Outer Box	21

General Product Information

Product Test Conditions

LUXEON CoB Core Range (Gen 3) LEDs are tested and binned with a DC drive current specified below at a junction temperature, T_j , of 85°C:

200mA	-	LUXEON CoB 1202s
200mA	-	LUXEON CoB 1202
300mA	-	LUXEON CoB 1203
450mA	-	LUXEON CoB 1204
600mA	-	LUXEON CoB 1205
900mA	-	LUXEON CoB 1208
1200mA	-	LUXEON CoB 1211
1600mA	-	LUXEON CoB 1216

Part Number Nomenclature

Part numbers for LUXEON CoB Core Range (Gen 3) follow the convention below:

L 2 C 5 - **A A B B C C C C E D D F F**

Where:

- A A** - designates nominal CCT (22=2200K, 27=2700K, 30=3000K, 35=3500K, 40=4000K, 50=5000K, 57=5700K, 65=6500K)
- B B** - designates minimum CRI (70=70CRI, 80=80CRI, 90=90CRI)
- C C C C** - designates product configuration (example: 1202, 1203, 1204, 1205, 1208, 1211, 1216)
- D D** - designates light emitting surface (LES) size (06=6mm, 09=9mm, 13=13mm, 15=15mm, 19=19mm, 23=23mm)
- F F** - designates options for product specification

Therefore, the following part number is used for a LUXEON CoB 1203, 3000K 80CRI, with a 9mm LES:

L 2 C 5 - **3 0 8 0 1 2 0 3 E 0 9 0 0**

Lumen Maintenance

Please contact your local Sales Representative or Lumileds Technical Solutions Manager for more information about the long-term performance of this product.

Environmental Compliance

Lumileds LLC is committed to providing environmentally friendly products to the solid-state lighting market. LUXEON CoB Core Range (Gen 3) is compliant to the European Union directives on the restriction of hazardous substances in electronic equipment, namely the RoHS Directive 2011/65/EU and REACH Regulation (EC) 1907/2006. Lumileds LLC will not intentionally add the following restricted materials to its products: lead, mercury, cadmium, hexavalent chromium, polybrominated biphenyls (PBB) or polybrominated diphenyl ethers (PBDE).

Performance Characteristics

Product Selection Guide

Table 1. Product performance of LUXEON CoB Core Range (Gen 3) at specified test current, $T_j=85^\circ\text{C}$.

PRODUCT	NOMINAL CCT	MINIMUM CRI ^[1, 2, 3]	LUMINOUS FLUX ^[1] (lm)		TYPICAL LUMINOUS EFFICACY (lm/W)	TEST CURRENT (mA)	LES ^[4] (mm)	PART NUMBER
			MINIMUM	TYPICAL				
LUXEON CoB 1202s	2200K	80	675	750	109	200	6	L2C5-22801202E0600
	2700K	80	797	886	128	200	6	L2C5-27801202E0600
	3000K	80	837	930	135	200	6	L2C5-30801202E0600
	3500K	80	854	949	138	200	6	L2C5-35801202E0600
	4000K	80	863	959	139	200	6	L2C5-40801202E0600
	5000K	80	863	959	139	200	6	L2C5-50801202E0600
	2200K ^[5]	90	589	654	95	200	6	L2C5-22901202E0600
	2700K	90	662	736	107	200	6	L2C5-27901202E0600
	3000K	90	689	766	111	200	6	L2C5-30901202E0600
	3500K	90	725	805	117	200	6	L2C5-35901202E0600
LUXEON CoB 1202	4000K	90	742	824	119	200	6	L2C5-40901202E0600
	3000K	70	923	1026	149	200	9	L2C5-30701202E0900
	3500K	70	923	1026	149	200	9	L2C5-35701202E0900
	4000K	70	968	1075	156	200	9	L2C5-40701202E0900
	5000K	70	968	1075	156	200	9	L2C5-50701202E0900
	5700K	70	942	1047	152	200	9	L2C5-57701202E0900
	2200K	80	703	781	113	200	9	L2C5-22801202E0900
	2700K	80	830	922	134	200	9	L2C5-27801202E0900
	3000K	80	876	973	141	200	9	L2C5-30801202E0900
	3500K	80	893	992	144	200	9	L2C5-35801202E0900
LUXEON CoB 1202	4000K	80	899	999	145	200	9	L2C5-40801202E0900
	5000K	80	899	999	145	200	9	L2C5-50801202E0900
	2200K ^[5]	90	625	694	101	200	9	L2C5-22901202E0900
	2700K	90	690	766	111	200	9	L2C5-27901202E0900
	3000K	90	729	810	117	200	9	L2C5-30901202E0900
	3500K	90	752	836	121	200	9	L2C5-35901202E0900
4000K	90	772	858	124	200	9	L2C5-40901202E0900	

Table 1 continued on next page.

1. Lumileds maintains a tolerance of ± 2 on CRI and $\pm 6.5\%$ on luminous flux measurements.
2. Typical CRI is approximately 2 points higher than the minimum CRI specified, but this is not guaranteed.
3. R9 value of 90CRI products is >50 .
4. Light Emitting Surface (LES) is the inner diameter (phosphor area) inside the dam.
5. Atmosphere Technology creates the ideal ambiance for restaurants and other hospitality venues.

Table 1. Product performance of LUXEON CoB Core Range (Gen 3) at specified test current, T_j=85°C (continued).

PRODUCT	NOMINAL CCT	MINIMUM CRI ^[1, 2, 3]	LUMINOUS FLUX ^[1] (lm)		TYPICAL LUMINOUS EFFICACY (lm/W)	TEST CURRENT (mA)	LES ^[4] (mm)	PART NUMBER	
			MINIMUM	TYPICAL					
LUXEON CoB 1203	3000K	70	1379	1532	148	300	9	L2C5-30701203E0900	
	3500K	70	1379	1532	148	300	9	L2C5-35701203E0900	
	4000K	70	1466	1629	157	300	9	L2C5-40701203E0900	
	5000K	70	1466	1629	157	300	9	L2C5-50701203E0900	
	5700K	70	1428	1587	153	300	9	L2C5-57701203E0900	
	6500K	70	1391	1546	149	300	9	L2C5-65701203E0900	
	2200K	80	1066	1184	114	300	9	L2C5-22801203E0900	
	2700K	80	1258	1398	135	300	9	L2C5-27801203E0900	
	3000K	80	1289	1432	138	300	9	L2C5-30801203E0900	
	3500K	80	1315	1461	141	300	9	L2C5-35801203E0900	
	4000K	80	1363	1514	146	300	9	L2C5-40801203E0900	
	5000K	80	1363	1514	146	300	9	L2C5-50801203E0900	
	5700K	80	1359	1510	146	300	9	L2C5-57801203E0900	
	2200K ^[5]	90	929	1032	100	300	9	L2C5-22901203E0900	
	2700K	90	1045	1161	112	300	9	L2C5-27901203E0900	
	3000K	90	1080	1200	116	300	9	L2C5-30901203E0900	
	3500K	90	1140	1267	122	300	9	L2C5-35901203E0900	
	4000K	90	1170	1301	126	300	9	L2C5-40901203E0900	
	LUXEON CoB 1204	3000K	70	2124	2360	151	450	13	L2C5-30701204E1300
		3500K	70	2124	2360	151	450	13	L2C5-35701204E1300
4000K		70	2258	2509	160	450	13	L2C5-40701204E1300	
5000K		70	2258	2509	160	450	13	L2C5-50701204E1300	
5700K		70	2199	2443	156	450	13	L2C5-57701204E1300	
6500K		70	2142	2380	152	450	13	L2C5-65701204E1300	
2200K		80	1641	1823	117	450	13	L2C5-22801204E1300	
2700K		80	1937	2152	138	450	13	L2C5-27801204E1300	
3000K		80	1980	2200	141	450	13	L2C5-30801204E1300	
3500K		80	2020	2244	144	450	13	L2C5-35801204E1300	
4000K		80	2098	2332	149	450	13	L2C5-40801204E1300	
5000K		80	2098	2332	149	450	13	L2C5-50801204E1300	
5700K		80	2093	2325	148	450	13	L2C5-57801204E1300	
2200K ^[5]		90	1430	1589	102	450	13	L2C5-22901204E1300	
2700K		90	1609	1788	115	450	13	L2C5-27901204E1300	
3000K		90	1656	1840	118	450	13	L2C5-30901204E1300	
3500K		90	1755	1950	125	450	13	L2C5-35901204E1300	
4000K		90	1802	2003	128	450	13	L2C5-40901204E1300	

Table 1 continued on next page.

1. Lumileds maintains a tolerance of ±2 on CRI and ±6.5% on luminous flux measurements.
2. Typical CRI is approximately 2 points higher than the minimum CRI specified, but this is not guaranteed.
3. R9 value of 90CRI products is >50.
4. Light Emitting Surface (LES) is the inner diameter (phosphor area) inside the dam.
5. AtmoSphere Technology creates the ideal ambiance for restaurants and other hospitality venues.

Table 1. Product performance of LUXEON CoB Core Range (Gen 3) at specified test current, T_j=85°C (continued).

PRODUCT	NOMINAL CCT	MINIMUM CRI ^[1, 2, 3]	LUMINOUS FLUX ^[1] (lm)		TYPICAL LUMINOUS EFFICACY (lm/W)	TEST CURRENT (mA)	LES ^[4] (mm)	PART NUMBER	
			MINIMUM	TYPICAL					
LUXEON CoB 1205	3000K	70	2765	3072	146	600	13	L2C5-30701205E1300	
	3500K	70	2765	3072	146	600	13	L2C5-35701205E1300	
	4000K	70	2932	3258	155	600	13	L2C5-40701205E1300	
	5000K	70	2932	3258	155	600	13	L2C5-50701205E1300	
	5700K	70	2856	3173	151	600	13	L2C5-57701205E1300	
	6500K	70	2782	3091	147	600	13	L2C5-65701205E1300	
	2200K	80	2131	2368	113	600	13	L2C5-22801205E1300	
	2700K	80	2516	2795	133	600	13	L2C5-27801205E1300	
	3000K	80	2615	2905	138	600	13	L2C5-30801205E1300	
	3500K	80	2667	2963	141	600	13	L2C5-35801205E1300	
	4000K	80	2725	3028	144	600	13	L2C5-40801205E1300	
	5000K	80	2725	3028	144	600	13	L2C5-50801205E1300	
	5700K	80	2717	3019	144	600	13	L2C5-57801205E1300	
	2200K ^[5]	90	1857	2063	98	600	13	L2C5-22901205E1300	
	2700K	90	2090	2322	111	600	13	L2C5-27901205E1300	
	3000K	90	2176	2418	115	600	13	L2C5-30901205E1300	
	3500K	90	2280	2533	121	600	13	L2C5-35901205E1300	
	4000K	90	2341	2601	124	600	13	L2C5-40901205E1300	
	LUXEON CoB 1208	3000K	70	4149	4610	147	900	15	L2C5-30701208E1500
		3500K	70	4149	4610	147	900	15	L2C5-35701208E1500
4000K		70	4347	4900	156	900	15	L2C5-40701208E1500	
5000K		70	4347	4900	156	900	15	L2C5-50701208E1500	
5700K		70	4284	4760	152	900	15	L2C5-57701208E1500	
6500K		70	4173	4637	148	900	15	L2C5-65701208E1500	
2200K		80	3197	3552	114	900	15	L2C5-22801208E1500	
2700K		80	3774	4193	134	900	15	L2C5-27801208E1500	
3000K		80	3931	4368	140	900	15	L2C5-30801208E1500	
3500K		80	4010	4455	143	900	15	L2C5-35801208E1500	
4000K		80	4088	4542	145	900	15	L2C5-40801208E1500	
5000K		80	4088	4542	145	900	15	L2C5-50801208E1500	
5700K		80	4076	4529	145	900	15	L2C5-57801208E1500	
2200K ^[5]		90	2785	3095	99	900	15	L2C5-22901208E1500	
2700K		90	3135	3483	112	900	15	L2C5-27901208E1500	
3000K		90	3249	3610	116	900	15	L2C5-30901208E1500	
3500K		90	3420	3800	122	900	15	L2C5-35901208E1500	
4000K		90	3511	3902	125	900	15	L2C5-40901208E1500	

Table 1 continued on next page.

1. Lumileds maintains a tolerance of ±2 on CRI and ±6.5% on luminous flux measurements.
2. Typical CRI is approximately 2 points higher than the minimum CRI specified, but this is not guaranteed.
3. R9 value of 90CRI products is >50.
4. Light Emitting Surface (LES) is the inner diameter (phosphor area) inside the dam.
5. AtmoSphere Technology creates the ideal ambiance for restaurants and other hospitality venues.

Table 1. Product performance of LUXEON CoB Core Range (Gen 3) at specified test current, T_j=85°C (continued).

PRODUCT	NOMINAL CCT	MINIMUM CRI ^[1, 2, 3]	LUMINOUS FLUX ^[1] (lm)		TYPICAL LUMINOUS EFFICACY (lm/W)	TEST CURRENT (mA)	LES ^[4] (mm)	PART NUMBER	
			MINIMUM	TYPICAL					
LUXEON CoB 1211	3000K	70	5695	6328	152	1200	19	L2C5-30701211E1900	
	3500K	70	5695	6328	152	1200	19	L2C5-35701211E1900	
	4000K	70	6053	6726	162	1200	19	L2C5-40701211E1900	
	5000K	70	6053	6726	162	1200	19	L2C5-50701211E1900	
	5700K	70	5882	6536	157	1200	19	L2C5-57701211E1900	
	6500K	70	5731	6368	152	1200	19	L2C5-65701211E1900	
	2200K	80	4390	4878	117	1200	19	L2C5-22801211E1900	
	2700K	80	5183	5758	138	1200	19	L2C5-27801211E1900	
	3000K	80	5328	5920	142	1200	19	L2C5-30801211E1900	
	3500K	80	5435	6038	145	1200	19	L2C5-35801211E1900	
	4000K	80	5614	6238	150	1200	19	L2C5-40801211E1900	
	5000K	80	5614	6238	150	1200	19	L2C5-50801211E1900	
	5700K	80	5598	6220	149	1200	19	L2C5-57801211E1900	
	2200K ^[5]	90	3749	4165	100	1200	19	L2C5-22901211E1900	
	2700K	90	4305	4783	115	1200	19	L2C5-27901211E1900	
	3000K	90	4505	5005	120	1200	19	L2C5-30901211E1900	
	3500K	90	4696	5218	125	1200	19	L2C5-35901211E1900	
	4000K	90	4822	5358	129	1200	19	L2C5-40901211E1900	
	LUXEON CoB 1216	3000K	70	7465	8294	150	1600	23	L2C5-30701216E2300
		3500K	70	7465	8294	150	1600	23	L2C5-35701216E2300
4000K		70	7876	8751	159	1600	23	L2C5-40701216E2300	
5000K		70	7876	8751	159	1600	23	L2C5-50701216E2300	
5700K		70	7710	8567	155	1600	23	L2C5-57701216E2300	
6500K		70	7512	8347	151	1600	23	L2C5-65701216E2300	
2200K		80	5755	6394	116	1600	23	L2C5-22801216E2300	
2700K		80	6791	7546	137	1600	23	L2C5-27801216E2300	
3000K		80	6952	7724	140	1600	23	L2C5-30801216E2300	
3500K		80	7090	7878	143	1600	23	L2C5-35801216E2300	
4000K		80	7358	8176	148	1600	23	L2C5-40801216E2300	
5000K		80	7358	8176	148	1600	23	L2C5-50801216E2300	
5700K		80	7336	8151	148	1600	23	L2C5-57801216E2300	
2200K ^[5]		90	5013	5570	101	1600	23	L2C5-22901216E2300	
2700K		90	5642	6269	114	1600	23	L2C5-27901216E2300	
3000K		90	5866	6518	118	1600	23	L2C5-30901216E2300	
3500K		90	6155	6839	124	1600	23	L2C5-35901216E2300	
4000K		90	6321	7023	127	1600	23	L2C5-40901216E2300	

Notes for Table 1:

1. Lumileds maintains a tolerance of ±2 on CRI and ±6.5% on luminous flux measurements.
2. Typical CRI is approximately 2 points higher than the minimum CRI specified, but this is not guaranteed.
3. R9 value of 90CRI products is >50.
4. Light Emitting Surface (LES) is the inner diameter (phosphor area) inside the dam.
5. AtmoSphere Technology creates the ideal ambiance for restaurants and other hospitality venues.

Optical Characteristics

Table 2. Optical characteristics for LUXEON CoB Core Range (Gen 3) at specified test current, $T_j=85^\circ\text{C}$.

PART NUMBER	TYPICAL TOTAL INCLUDED ANGLE ^[1]	TYPICAL VIEWING ANGLE ^[2]
L2C5-xxxx12xxExx00	135°	115°

Notes for Table 2:

1. Total angle at which 90% of total luminous flux is captured.
2. Viewing angle is the off axis angle from the LED centerline where the luminous intensity is ½ of the peak value.

Electrical and Thermal Characteristics

Table 3. Electrical and thermal characteristics for LUXEON CoB Core Range (Gen 3) at specified test current, $T_j=85^\circ\text{C}$.

PART NUMBER	FORWARD VOLTAGE ^[1] (V_f)			TYPICAL TEMPERATURE COEFFICIENT OF FORWARD VOLTAGE ^[2] (mV/°C)	TYPICAL THERMAL RESISTANCE—JUNCTION TO CASE ^[3] (°C/W)
	MINIMUM	TYPICAL	MAXIMUM		
L2C5-xxxx1202E0600	32.5	34.5	37.5	-16	0.98
L2C5-xxxx1202E0900	32.5	34.5	37.5	-16	0.98
L2C5-xxxx1203E0900	32.5	34.5	37.5	-16	0.70
L2C5-xxxx1204E1300	32.5	34.8	37.5	-16	0.55
L2C5-xxxx1205E1300	32.5	35.0	37.5	-16	0.51
L2C5-xxxx1208E1500	32.5	34.8	37.5	-16	0.29
L2C5-xxxx1211E1900	32.5	34.8	37.5	-16	0.23
L2C5-xxxx1216E2300	32.5	34.5	37.5	-16	0.14

Notes for Table 3:

1. Lumileds maintains a tolerance of $\pm 2\%$ on forward voltage measurements.
2. Measured between 25°C and 85°C.
3. Thermal resistance is measured between junction and the bottom of the LUXEON CoB substrate.

Absolute Maximum Ratings

Table 4. Absolute maximum ratings for LUXEON CoB Core Range (Gen 3).

PARAMETER	MAXIMUM PERFORMANCE
DC Forward Current ^[1,2]	2x test current
LED Junction Temperature ^[1] (DC & Pulse)	125°C
ESD Sensitivity (ANSI/ESDA/JEDEC JS-001-2012)	Class 3B
Operating Case Temperature ^[1]	-40°C to 105°C
LED Storage Temperature	-40°C to 120°C
Allowable Reflow Cycles	3
Reverse Voltage ($V_{reverse}$)	LUXEON LEDs are not designed to be driven in reverse bias

Notes for Table 4:

1. Proper current derating must be observed to maintain the junction temperature below the maximum allowable junction temperature.
2. Residual periodic variations due to power conversion from alternating current (AC) to direct current (DC), also called "ripple," are acceptable if the following conditions are met:
 - The frequency of the ripple current is 100Hz or higher
 - The average current for each cycle does not exceed the maximum allowable DC forward current
 - The maximum amplitude of the ripple does not exceed 20% of the maximum allowable DC forward current

Characteristic Curves

Spectral Power Distribution Characteristics

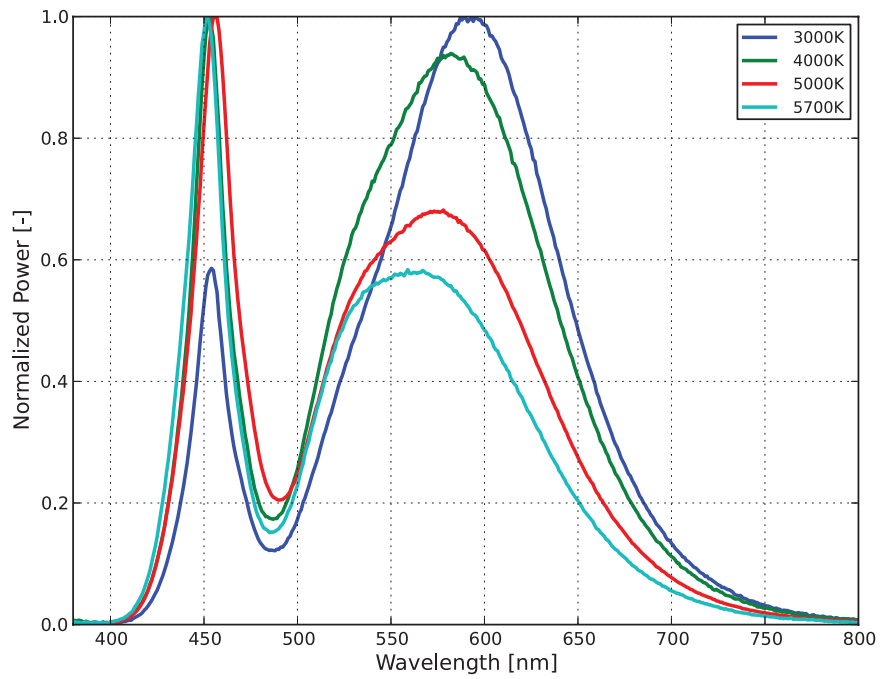


Figure 1a. Typical normalized power vs. wavelength for L2C5-xx7012xxExx00 at specified test current, $T_j=85^{\circ}\text{C}$.

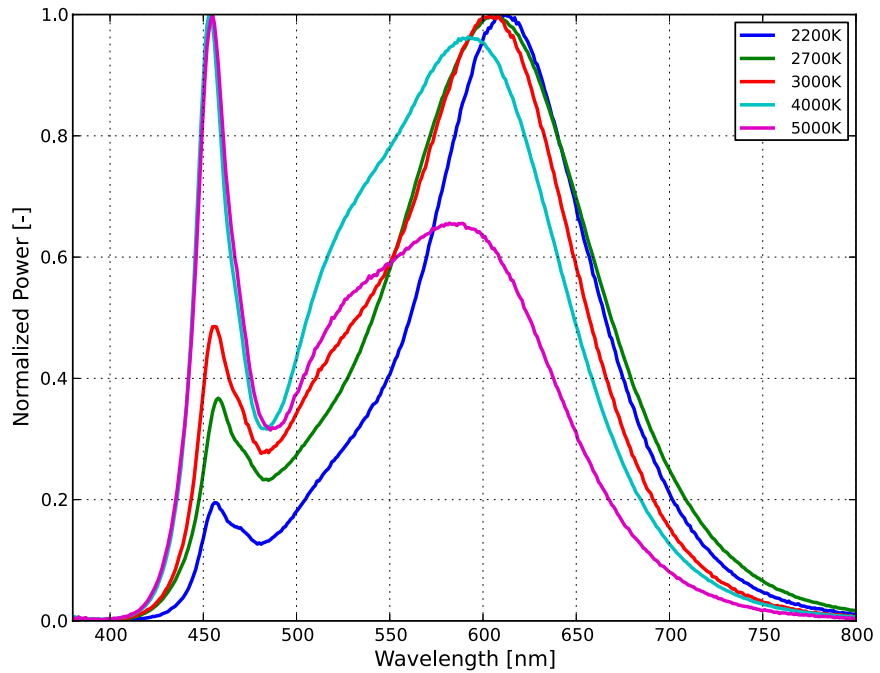


Figure 1b. Typical normalized power vs. wavelength for L2C5-xx8012xxExx00 at specified test current, $T_j=85^{\circ}\text{C}$.

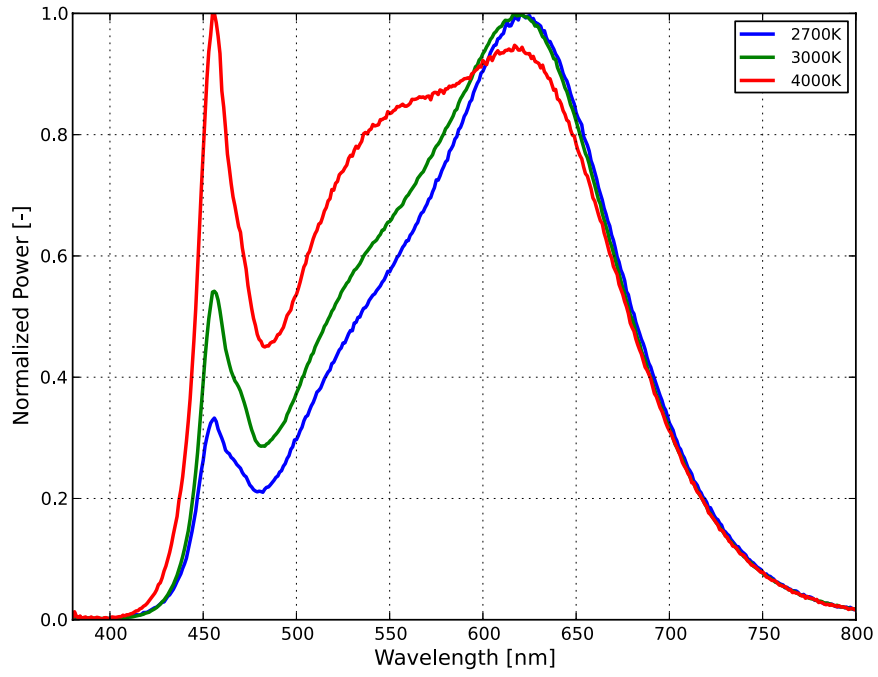


Figure 1c. Typical normalized power vs. wavelength for L2C5-xx9012xxExx00 at specified test current, $T_j=85^\circ\text{C}$.

Light Output Characteristics

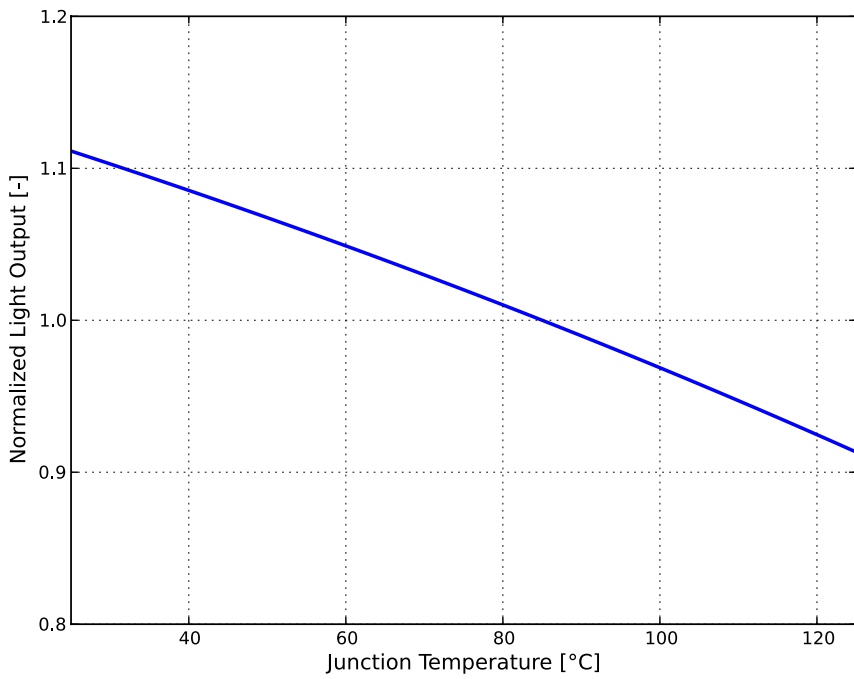
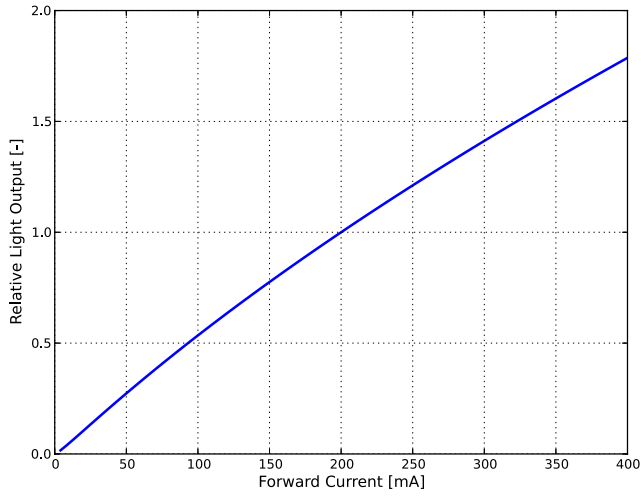
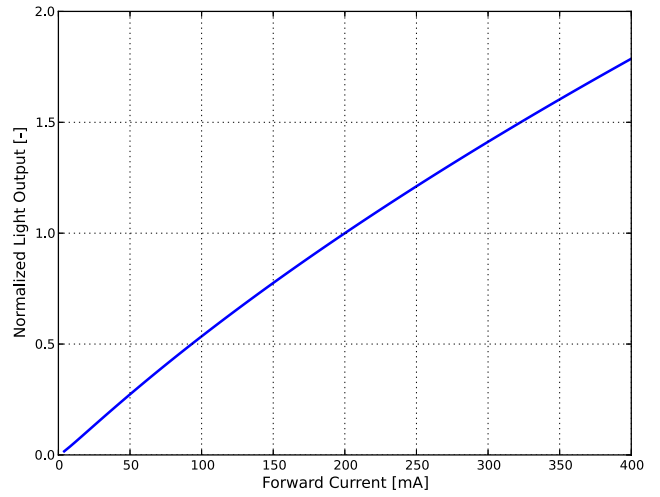


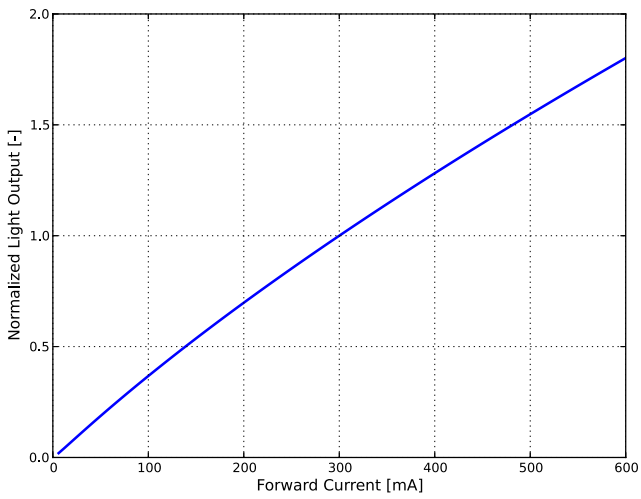
Figure 2. Typical normalized light output vs. junction temperature for L2C5-xxxx12xxExx00 at specified test current.



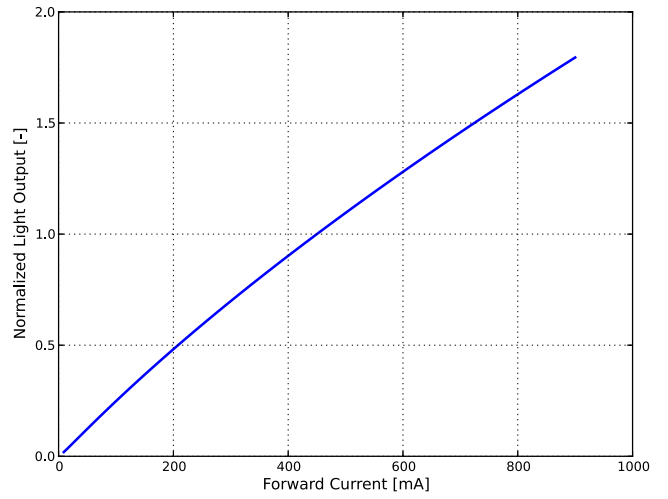
L2C5-xxxx1202E0600



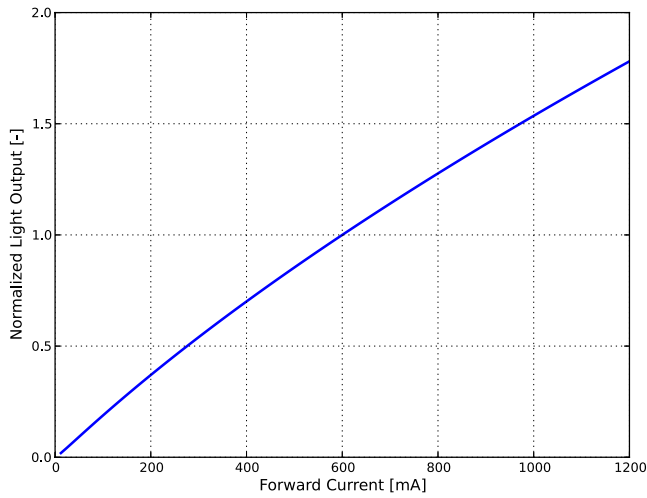
L2C5-xxxx1202E0900



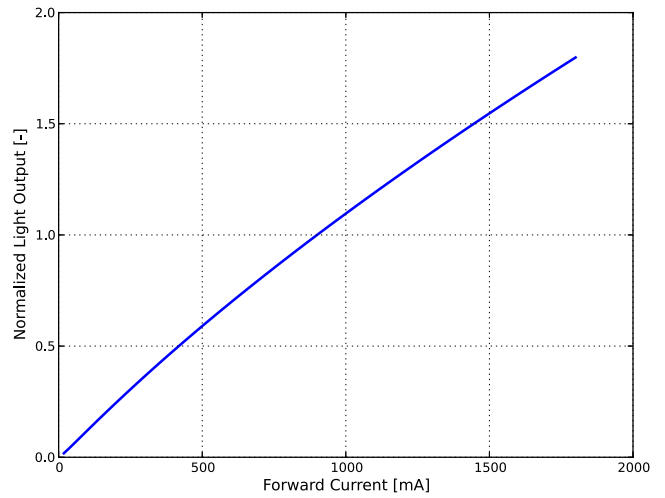
L2C5-xxxx1203E0900



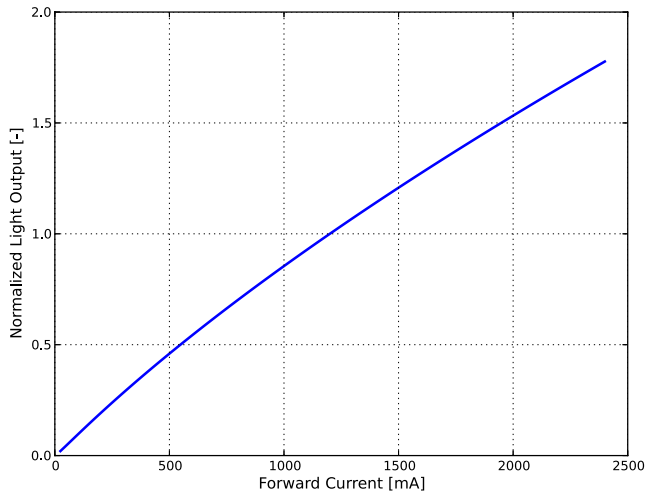
L2C5-xxxx1204E1300



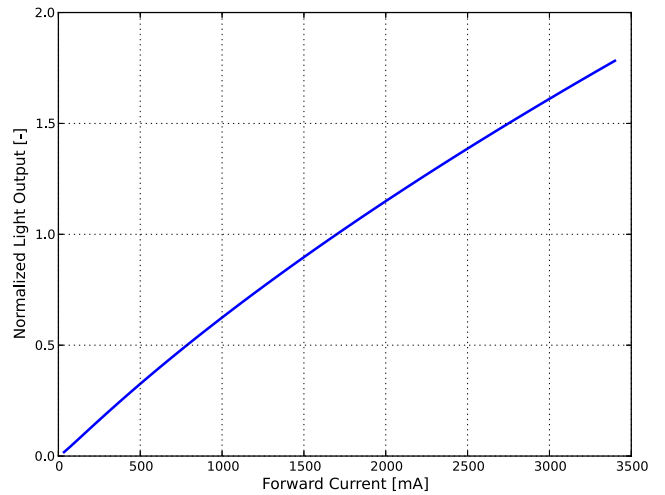
L2C5-xxxx1205E1300



L2C5-xxxx1208E1500



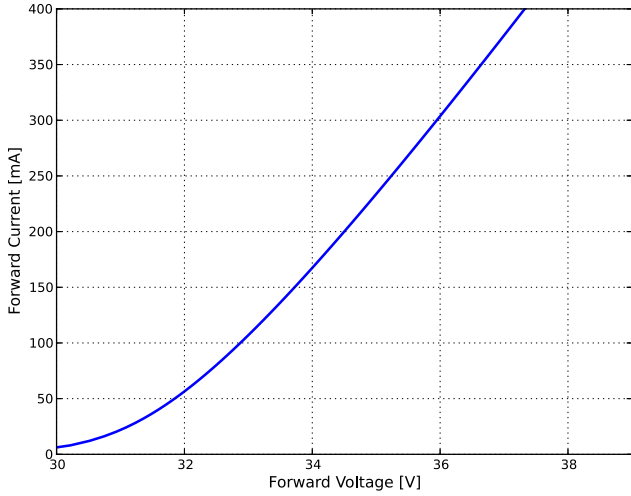
L2C5-xxxx1211E1900



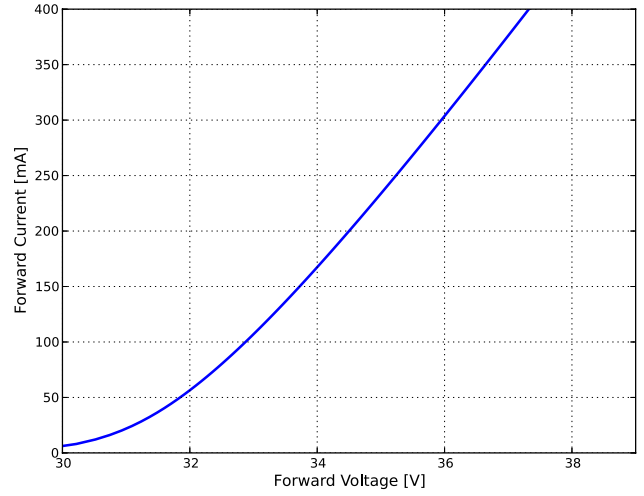
L2C5-xxxx1216E2300

Figure 3. Typical normalized light output vs. forward current for LUXEON CoB Core Range (Gen 3) at $T_j=85^{\circ}\text{C}$.

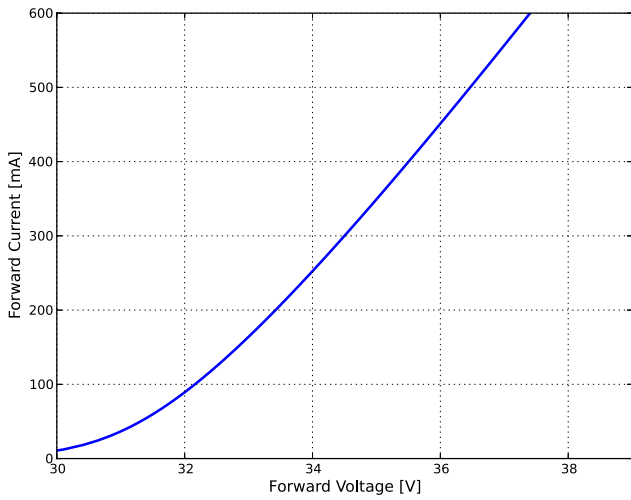
Forward Current Characteristics



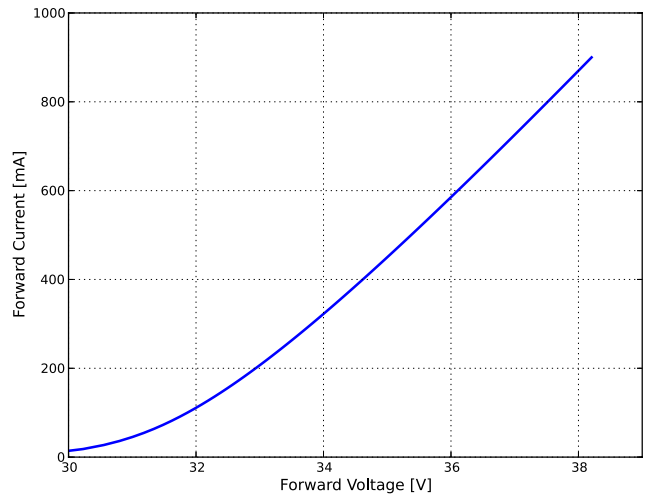
L2C5-xxxx1202E0600



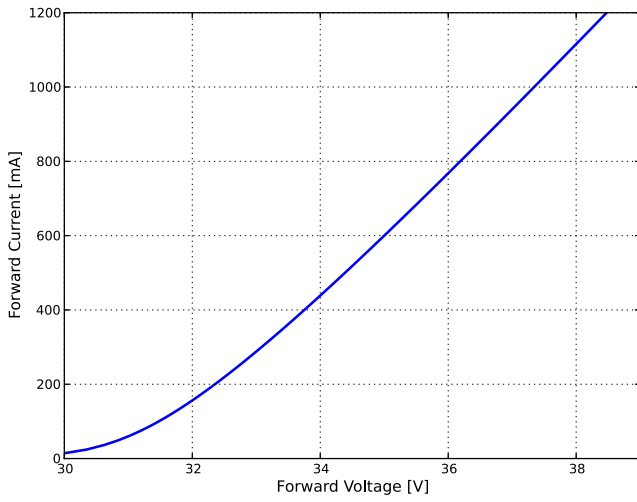
L2C5-xxxx1202E0900



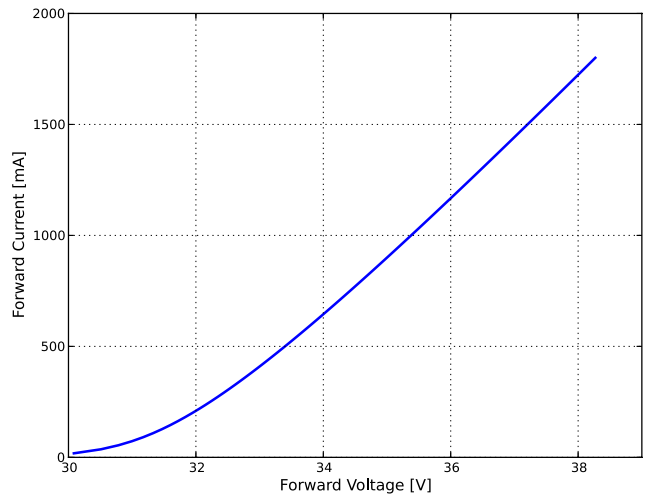
L2C5-xxxx1203E0900



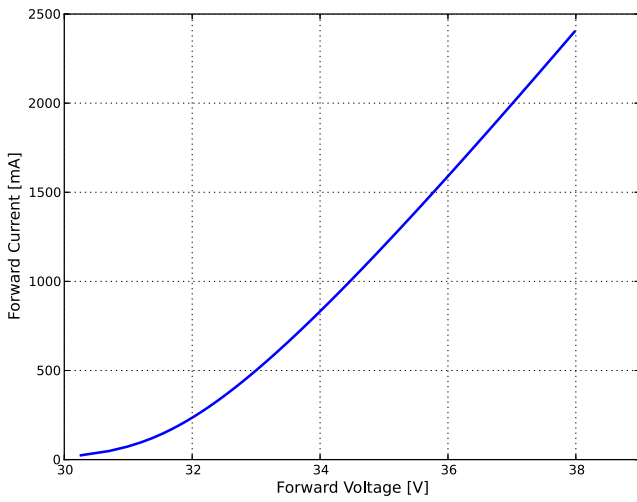
L2C5-xxxx1204E1300



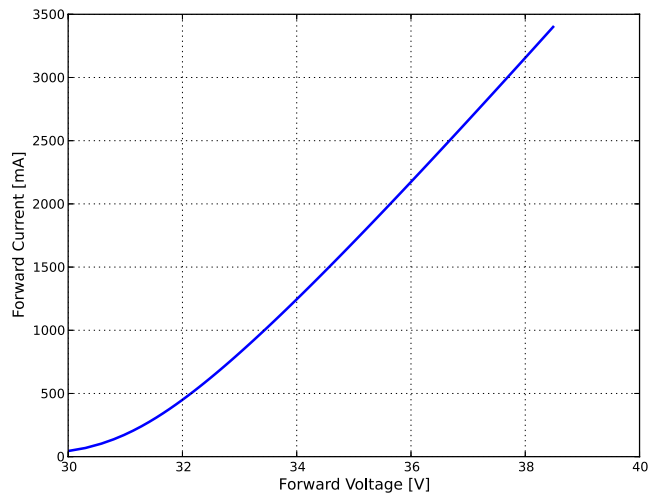
L2C5-xxxx1205E1300



L2C5-xxxx1208E1500



L2C5-xxxx1211E1900



L2C5-xxxx1216E2300

Figure 4. Typical forward current vs. forward voltage for LUXEON CoB Core Range (Gen 3) at $T_j=85^\circ\text{C}$.

Radiation Pattern Characteristics

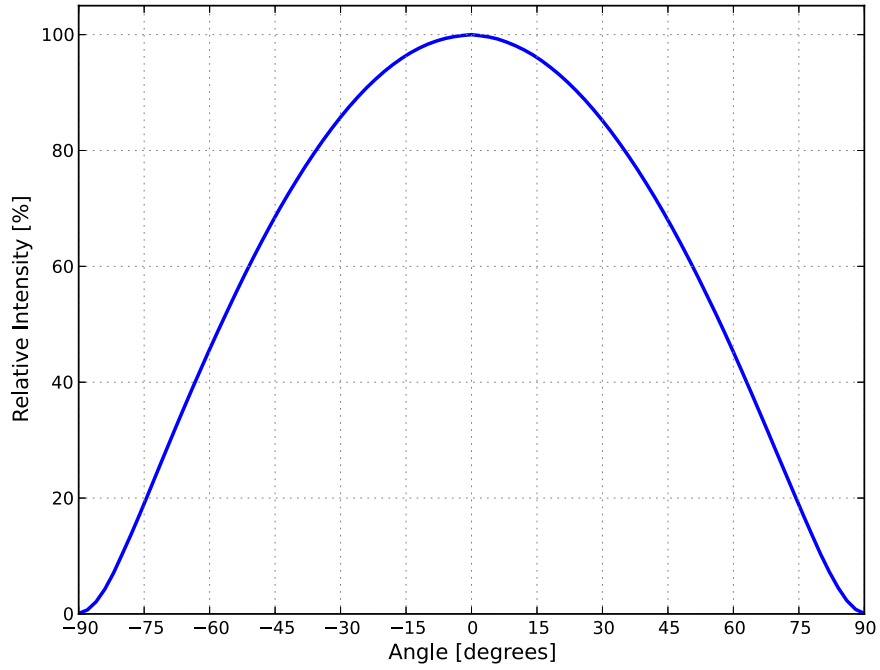


Figure 5. Typical radiation pattern for L2C5-xxxx12xxExx00 at specified test current, $T_j=85^\circ\text{C}$.

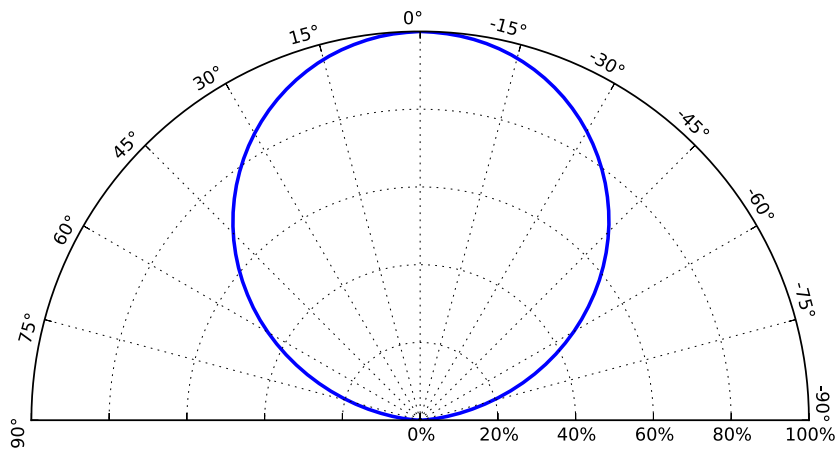


Figure 6. Typical polar radiation pattern for L2C5-xxxx12xxExx00 at specified test current, $T_j=85^\circ\text{C}$.

Color Bin Definitions

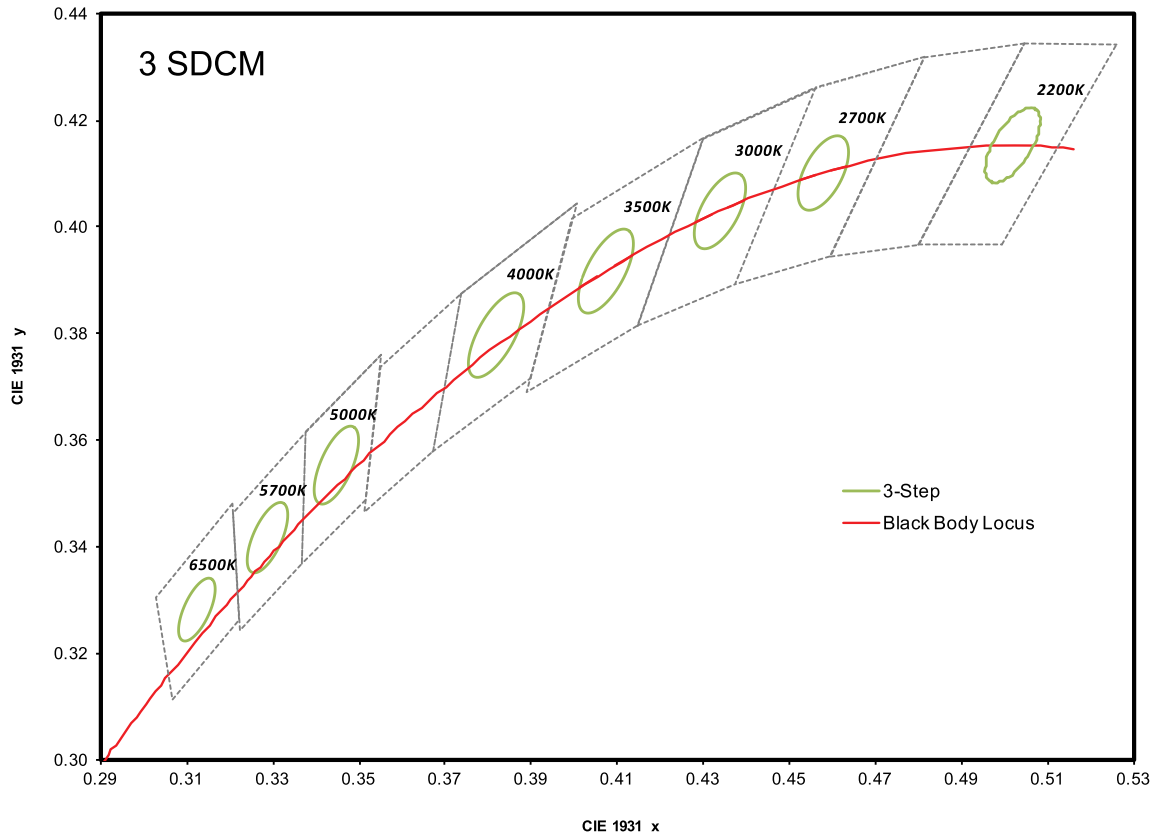


Figure 7. 3-step MacAdam ellipse illustration for Table 5.

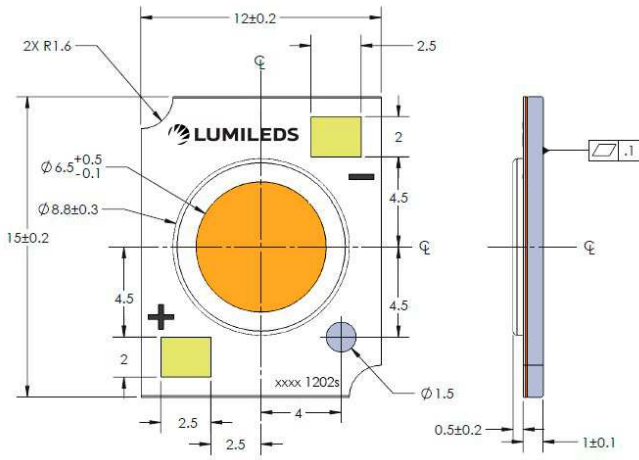
Table 5. 3-step MacAdam ellipse color bin definitions for LUXEON CoB Core Range (Gen 3).

NOMINAL CCT	COLOR SPACE	CENTER POINT ^[1] (cx, cy)	MAJOR AXIS, a	MINOR AXIS, b	ELLIPSE ROTATION ANGLE, θ
2200K	Single 3-step MacAdam ellipse	(0.5020, 0.4155)	0.00862	0.00397	49.30°
2700K	Single 3-step MacAdam ellipse	(0.4578, 0.4101)	0.00810	0.00420	53.70°
3000K	Single 3-step MacAdam ellipse	(0.4338, 0.4030)	0.00834	0.00408	53.20°
3500K	Single 3-step MacAdam ellipse	(0.4073, 0.3917)	0.00927	0.00414	54.00°
4000K	Single 3-step MacAdam ellipse	(0.3818, 0.3797)	0.00939	0.00402	53.70°
5000K	Single 3-step MacAdam ellipse	(0.3447, 0.3553)	0.00822	0.00354	59.60°
5700K	Single 3-step MacAdam ellipse	(0.3287, 0.3417)	0.00745	0.00320	59.09°
6500K	Single 3-step MacAdam ellipse	(0.3123, 0.3282)	0.00669	0.00285	58.57°

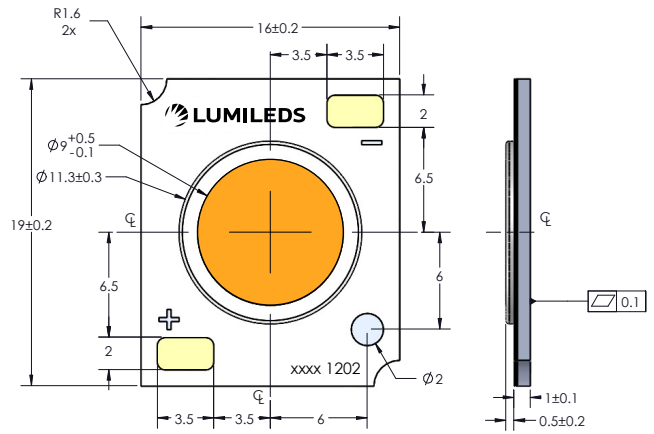
Notes for Table 5:

1. Lumileds maintains a tolerance of ± 0.005 on x and y coordinates in the CIE 1931 color space.

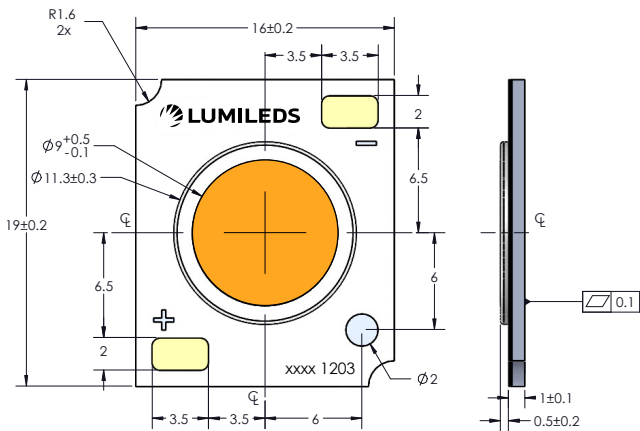
Mechanical Dimensions



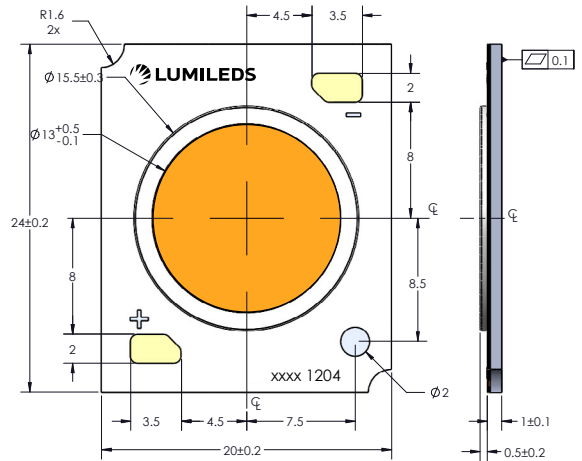
L2C5-xxxx1202E0600



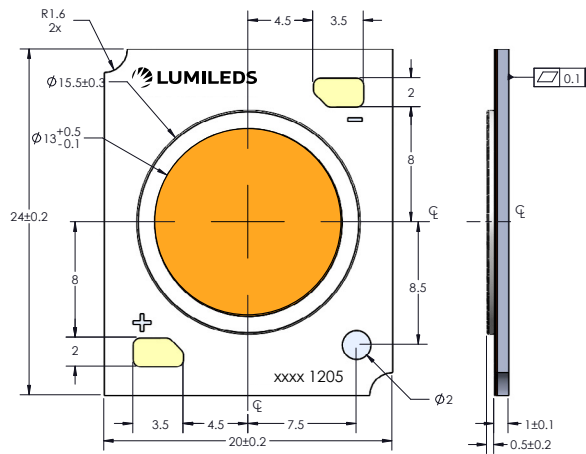
L2C5-xxxx1202E0900



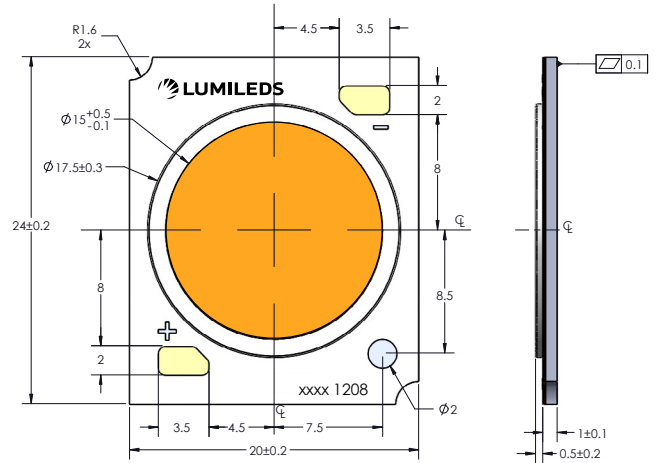
L2C5-xxxx1203E0900



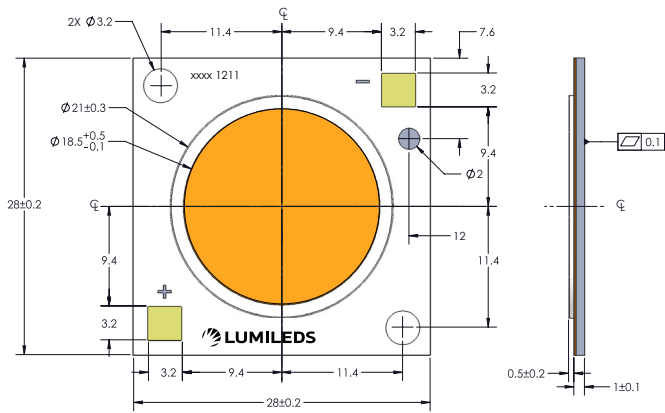
L2C5-xxxx1204E1300



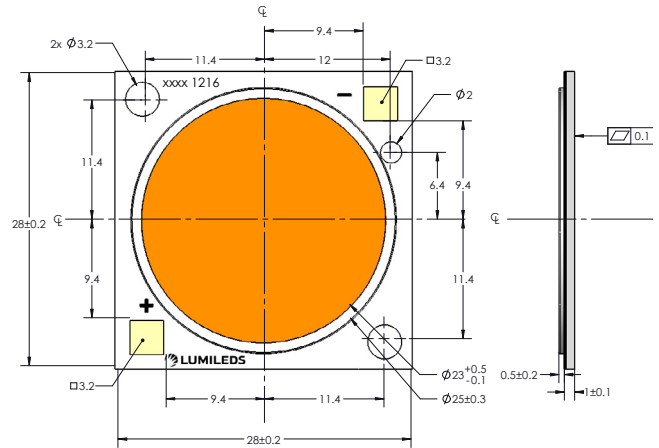
L2C5-xxxx1205E1300



L2C5-xxxx1208E1500



L2C5-xxxx1211E1900



L2C5-xxxx1216E2300

Figure 8. Mechanical dimensions for LUXEON CoB Core Range (Gen 3).

Packaging and Labeling Information

LUXEON CoB Core Range (Gen 3) LEDs are packaged in tubes then in a carton box. Each tube contains a specified number of LEDs. The LEDs in each tube come from a single category code, ensuring they are all well-matched for light output, color, and forward voltage. Each tube contains a rubber stopper at one end. The tube label has both alphanumeric and bar code information. The carton boxes have printed information providing part numbers with CAT codes that indicate luminous flux, color and forward voltage bins.

Table 6. Number of LEDs per tube for LUXEON CoB Core Range (Gen 3).

PART NUMBER	TOTAL UNITS PER TUBE	TOTAL TUBES PER INNER BOX	TOTAL UNITS PER INNER BOX
L2C5-xxxx1202E0600	20	5	100
L2C5-xxxx1202E0900	20	5	100
L2C5-xxxx1203E0900	20	5	100
L2C5-xxxx1204E1300	20	5	100
L2C5-xxxx1205E1300	20	5	100
L2C5-xxxx1208E1500	20	5	100
L2C5-xxxx1211E1900	10	5	50
L2C5-xxxx1216E2300	10	5	50

Tube

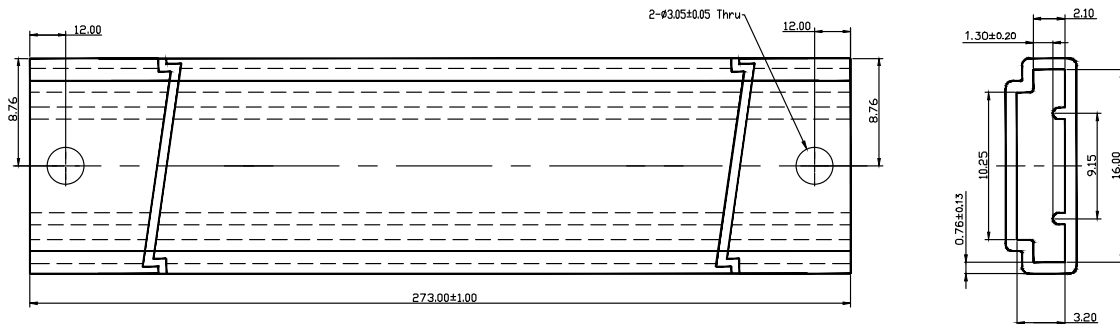


Figure 9a. Tube dimensions for L2C5-xxxx1202E0600.

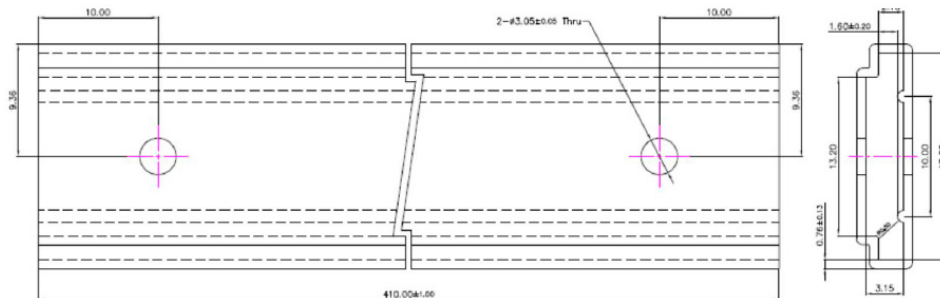


Figure 9b. Tube dimensions for L2C5-xxxx1202E0900.

Notes for Figures 9a and 9b:

1. Drawings not to scale.
2. All dimensions are in millimeters.

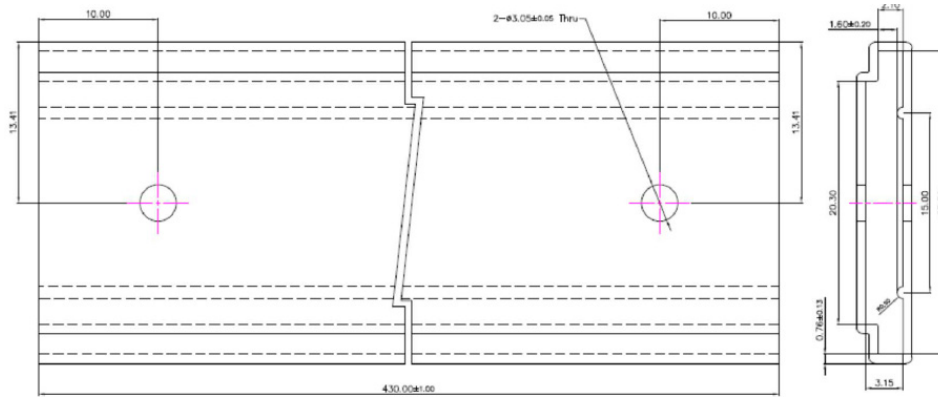


Figure 9c. Tube dimensions for L2C5-xxxx120xE1300 and L2C5-xxxx1208E1500.

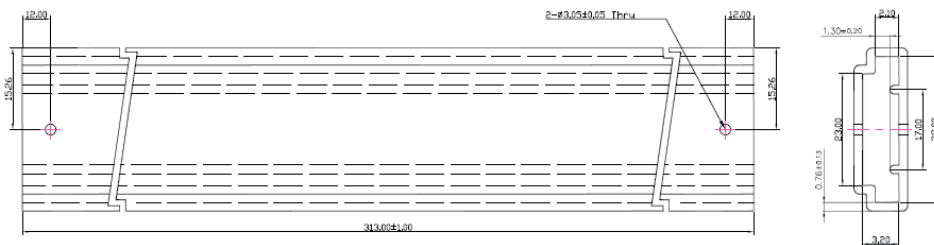


Figure 9d. Tube dimensions for L2C5-xxxx1211E1900 and L2C5-xxxx1216E2300.

Notes for Figures 9c and 9d:

1. Drawings not to scale.
2. All dimensions are in millimeters.

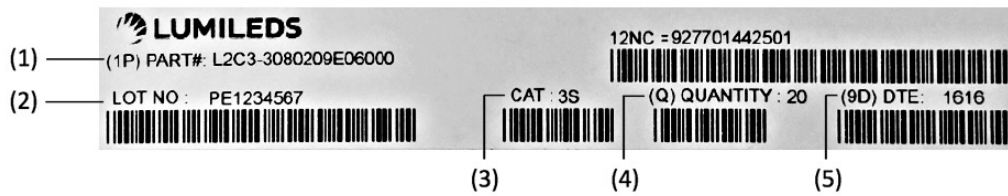


Figure 10. Example of a tube label for LUXEON CoB Core Range (Gen 3).

Notes for Figure 10 - Tube Label descriptions for customer use:

Field labels not described are for Lumileds internal use only.

1. Lumileds part number.
2. Unique production lot identification number. This number is required for traceability purpose.
3. Product category code.
4. Number of LED emitters in a tube.
5. LED test date in YYWW format.

Inner Box

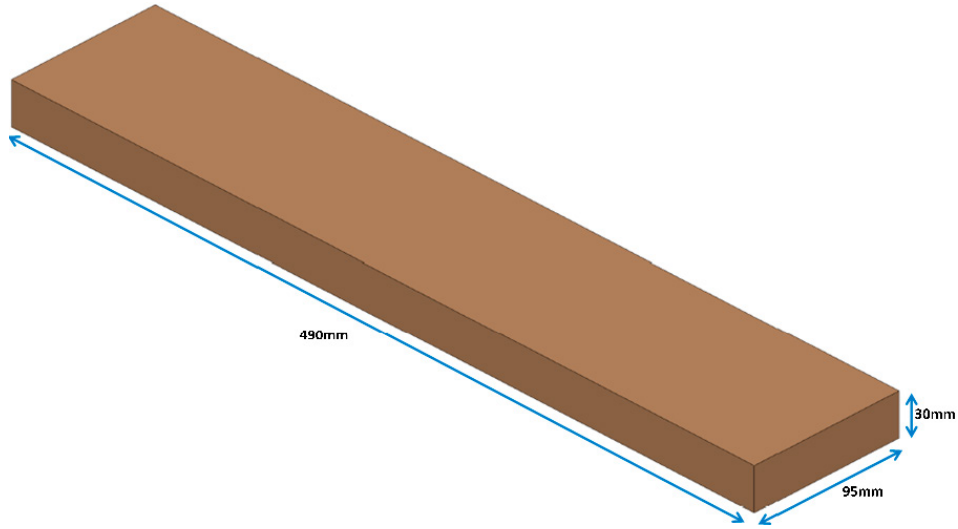


Figure 11. Dimensions for inner box packaging for LUXEON CoB Core Range (Gen 3).

Table 7. Inner box information for LUXEON CoB Core Range (Gen 3).

BOX TYPE	DIMENSIONS (mm)			AVERAGE WEIGHT (100pcs/box)	AVERAGE WEIGHT (100pcs/box)
	H	L	W		
Inner Box	30	490	95	0.340Kg	0.305Kg



Figure 12. Example of inner box label for LUXEON CoB Core Range (Gen 3).

Notes for Figure 12 – Inner Box Label descriptions for customer use:
Field labels not described are for Lumileds internal use only.

1. Lumileds part number.
2. Number of LED emitters in a box.
3. LED test date in YYWW format.
4. Customer part number for custom requests only.
5. Unique production lot identification number. This number is required for traceability purpose.
6. Product category code.

Outer Box

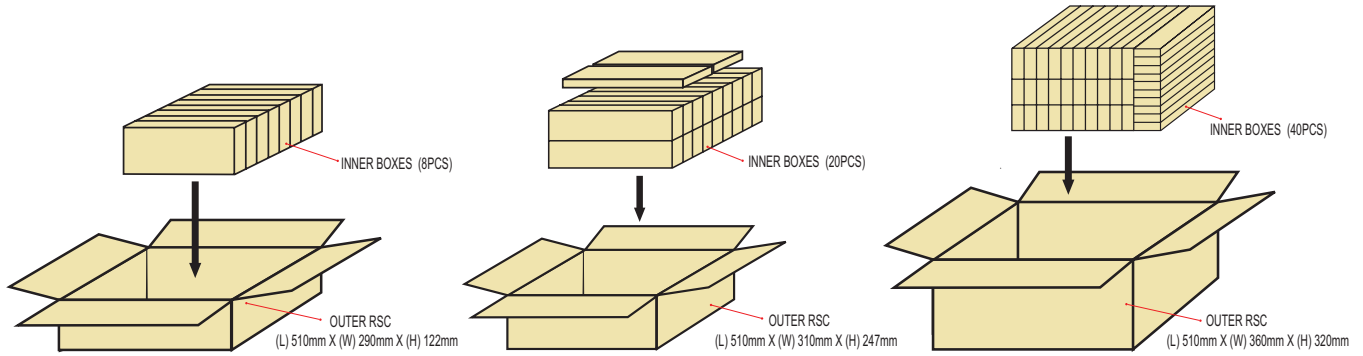


Figure 13. Dimensions for outer box packaging for LUXEON CoB (Gen 3).

Table 8. Outer box information for LUXEON CoB Core Range (Gen 3).

BOX TYPE	DIMENSIONS (mm)			MAXIMUM INNER BOXES PER OUTER BOX	MAXIMUM QUANTITY PER OUTER BOX	AVERAGE WEIGHT (100pcs/box)	AVERAGE WEIGHT (50pcs/box)
	H	L	W				
Outer Box 8	122	510	290	8	800	3.05kg	2.77kg
Outer Box 20	247	510	310	20	2000	7.55kg	6.85kg
Outer Box 40	320	510	360	40	4000	15.10kg	13.70kg

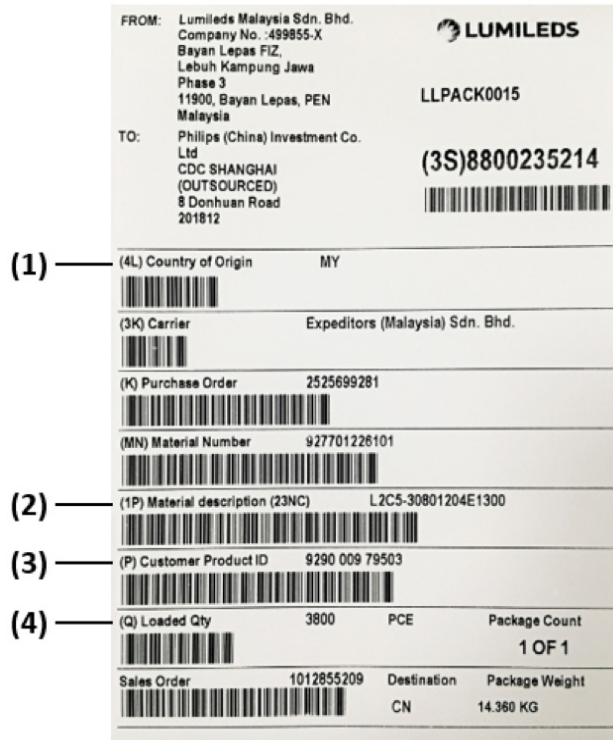


Figure 14. Example of outer box label for LUXEON CoB Core Range (Gen 3).

Notes for Figure 14 – Outer Box Label descriptions for customer use:
Field labels not described are for Lumileds internal use only.

1. Country code of origin of manufacturing of parts (e.g. MY for Malaysia, CN for China) according to ISO 3166-1 alpha-2 document.
2. Lumileds part number.
3. Customer part number for custom requests only.
4. Total number of LED emitters in a shipment box.

About Lumileds

Lumileds is the global leader in light engine technology. The company develops, manufactures and distributes groundbreaking LEDs and automotive lighting products that shatter the status quo and help customers gain and maintain a competitive edge.

With a rich history of industry “firsts,” Lumileds is uniquely positioned to deliver lighting advancements well into the future by maintaining an unwavering focus on quality, innovation and reliability.

To learn more about our portfolio of light engines, visit lumileds.com.



©2016 Lumileds Holding B.V. All rights reserved.
LUXEON is a registered trademark of the Lumileds Holding B.V.
in the United States and other countries.
lumileds.com

Neither Lumileds Holding B.V. nor its affiliates shall be liable for any kind of loss of data or any other damages, direct, indirect or consequential, resulting from the use of the provided information and data. Although Lumileds Holding B.V. and/or its affiliates have attempted to provide the most accurate information and data, the materials and services information and data are provided “as is,” and neither Lumileds Holding B.V. nor its affiliates warrants or guarantees the contents and correctness of the provided information and data. Lumileds Holding B.V. and its affiliates reserve the right to make changes without notice. You as user agree to this disclaimer and user agreement with the download or use of the provided materials, information and data.