



Chipsmall Limited consists of a professional team with an average of over 10 year of expertise in the distribution of electronic components. Based in Hongkong, we have already established firm and mutual-benefit business relationships with customers from,Europe,America and south Asia,supplying obsolete and hard-to-find components to meet their specific needs.

With the principle of “Quality Parts,Customers Priority,Honest Operation,and Considerate Service”,our business mainly focus on the distribution of electronic components. Line cards we deal with include Microchip,ALPS,ROHM,Xilinx,Pulse,ON,Everlight and Freescale. Main products comprise IC,Modules,Potentiometer,IC Socket,Relay,Connector.Our parts cover such applications as commercial,industrial, and automotives areas.

We are looking forward to setting up business relationship with you and hope to provide you with the best service and solution. Let us make a better world for our industry!



Contact us

Tel: +86-755-8981 8866 Fax: +86-755-8427 6832

Email & Skype: info@chipsmall.com Web: www.chipsmall.com

Address: A1208, Overseas Decoration Building, #122 Zhenhua RD., Futian, Shenzhen, China



Series Part Numbers

Connector Code	Description	P / N
-XX-AM	SMA Plug	L324AM-434
AH	SMA Plug Reverse Polarity	L324AH-434

Electrical Properties:

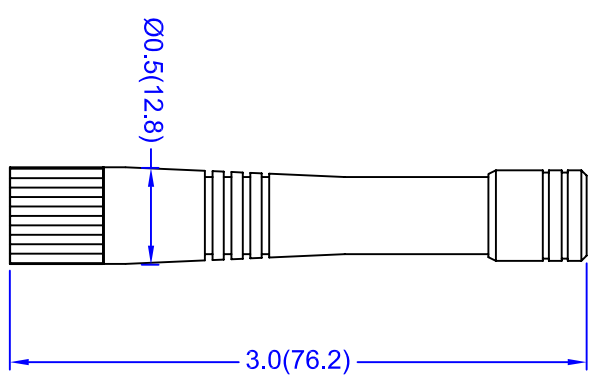
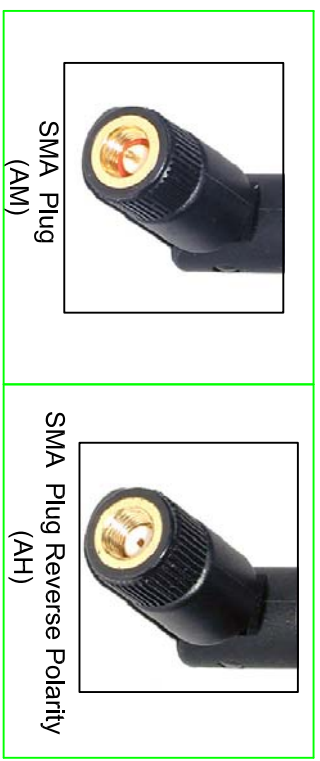
Frequency Range: 433~435 MHz
Impedance: 50-ohm nominal
VSWR: <2.0:1
Gain: 0 dBi
Radiation: Omni
Polarization: Vertical
Wave: 1/4 wave

Mechanical Properties:

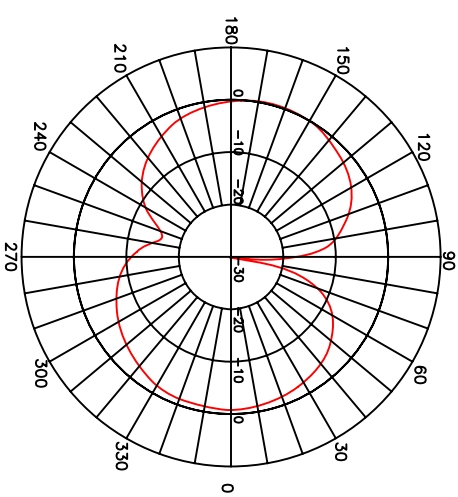
Connector: SMA type
Material: Polyurethane(Black)
Whip: Brass with black chrome plating
Connector: chrome plating
Operation Temp.: -20°C to +65°C
Storage Temp.: -30°C to +75°C

This is a RoHS compliant product.

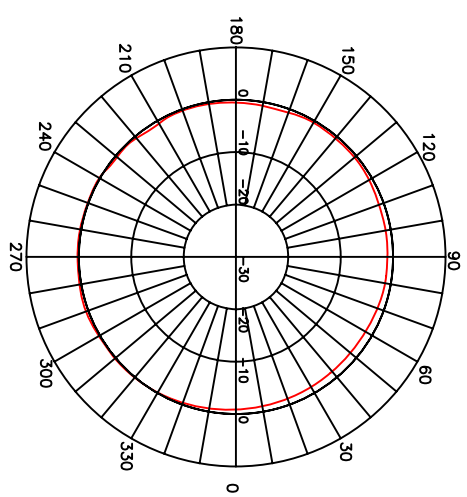
Connector Interface



E-Plane Pattern @ 434 MHz



H-Plane Pattern @ 434 MHz



TITLE	UHF Band Straight Antenna - 324 Model		Rev. Date	SHEET
UNIT	DWG. NO.	L324XX - 434	04/29/06	1 of 1
in.(mm)				
SCALE				
none				

NEARSON