



Chipsmall Limited consists of a professional team with an average of over 10 year of expertise in the distribution of electronic components. Based in Hongkong, we have already established firm and mutual-benefit business relationships with customers from,Europe,America and south Asia,supplying obsolete and hard-to-find components to meet their specific needs.

With the principle of "Quality Parts,Customers Priority,Honest Operation,and Considerate Service",our business mainly focus on the distribution of electronic components. Line cards we deal with include Microchip,ALPS,ROHM,Xilinx,Pulse,ON,Everlight and Freescale. Main products comprise IC,Modules,Potentiometer,IC Socket,Relay,Connector.Our parts cover such applications as commercial,industrial, and automotives areas.

We are looking forward to setting up business relationship with you and hope to provide you with the best service and solution. Let us make a better world for our industry!



Contact us

Tel: +86-755-8981 8866 Fax: +86-755-8427 6832

Email & Skype: info@chipsmall.com Web: www.chipsmall.com

Address: A1208, Overseas Decoration Building, #122 Zhenhua RD., Futian, Shenzhen, China



Threaded Indicator Lights for .191" to .196" Dia. Mounting Hole

L58 SERIES

- TAPERED AND SPLASHPROOF LED INDICATOR LIGHTS
- .191" TO .196" DIA. MOUNTING HOLE
- THREADED HOUSING AND NUT
- 6" WIRE LEADS OR STRAIGHT TERMINALS
- CLEAR OR DIFFUSED LENS • VARIOUS LENS COLORS

Overview

The L58 Series LED indicators are constructed with a threaded housing with integral bezel and supplied with a mounting nut. Each unit has a high brightness clear or diffused LED and two color-coded 6" wire leads or straight terminals. Standard voltages range from 2 to 24 volts DC. Indicators mount into a 0.191" (4.85mm) to 0.196" diameter (4.98mm) mounting hole with a maximum panel thickness of 0.187" (4.76mm). Current: 20mA Typical.

Specifications

Housing: zinc plated brass. A black anodized housing is also available.

For A Customized Splash-proof Unit:

Splash-proof internal gasket: neoprene. Add **P** to first part of part number, after lens designation. For example, **L58D-Y12-W** changes to **L58DP-Y12-W** for indicator light with an internal neoprene gasket for splash-proof protection.

LED Lens: clear (**L58C**) or diffused (**L58D**).

LED DC voltage options: 2, 6, 12 and 24 volts.

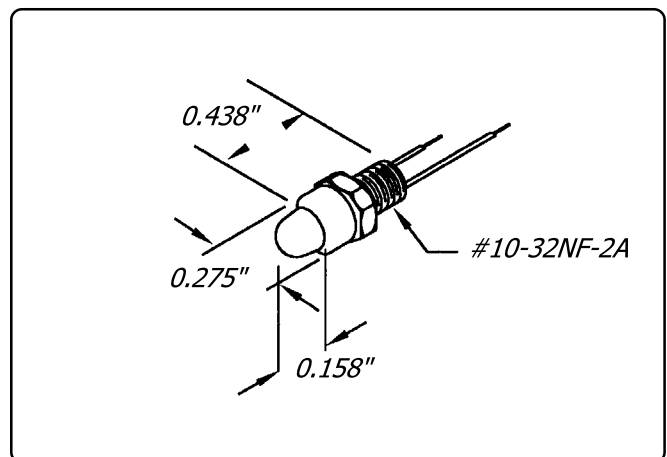
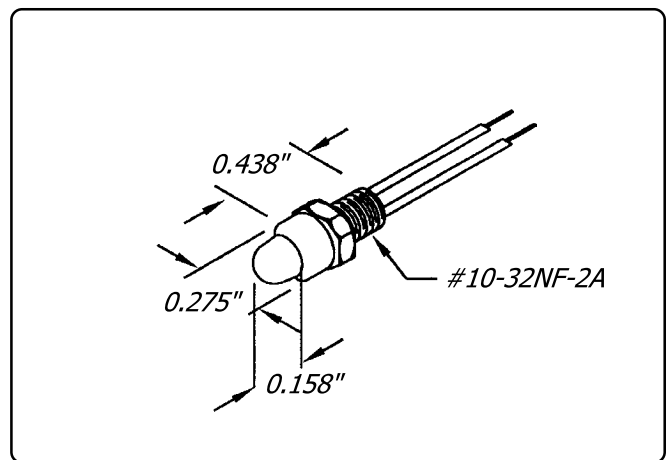
Wire leads:

6" leads: #24 AWG, prebonded copper, thin wall PVC, UL/CSA rated 105° C, stripped 1/2". A red wire lead denotes the anode (+) while a black wire lead identifies the cathode (-). Custom wire lengths, stripping, termination and wire types are available.

Terminals:

Bare terminals: longer terminal lead identifies the anode (+).

Other LEDs: bi-color, low current or ultra bright.

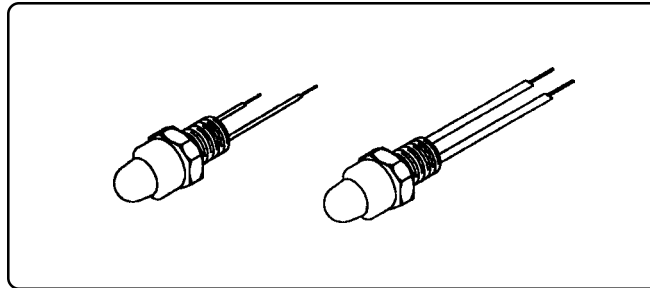


Can't find it here? We have many more standard and custom solutions

For further information, phone Customer Service at 800.522.5546.

Threaded Indicator Lights for .191" to .196" Dia. Mounting Hole

L58 SERIES
Tapered LED
Indicator Light
2 to 24 Volts DC
Clear Lens or
Diffused Lens



**6" Wire Leads or
Straight Terminals**
Brass Housing
Various Lens Colors
Threaded Housing
And Nut

Part Number 6" Wire Leads	Part Number Straight Terminals	Lens Style	Lens Color	Design Volts DC	Typical Intensity (mcd)	Typical Viewing Angle
L58C-G2-W	L58C-G2-T	Clear	Green	2	50	30°
L58C-G6-W	L58C-G6-T	Clear	Green	6	50	30°
L58C-G12-W	L58C-G12-T	Clear	Green	12	50	30°
L58C-G24-W	--	Clear	Green	24	50	30°
L58C-R2-W	L58C-R2-T	Clear	Red	2	50	30°
L58C-R6-W	L58C-R6-T	Clear	Red	6	50	30°
L58C-R12-W	L58C-R12-T	Clear	Red	12	50	30°
L58C-R24-W	--	Clear	Red	24	50	30°
L58C-Y2-W	L58C-Y2-T	Clear	Yellow	2	50	30°
L58C-Y6-W	L58C-Y6-T	Clear	Yellow	6	50	30°
L58C-Y12-W	L58C-T12-T	Clear	Yellow	12	50	30°
L58C-Y24-W	--	Clear	Yellow	24	50	30°
L58D-G2-W	L58D-G2-T	Diffused	Green	2	20	60°
L58D-G6-W	L58D-G6-T	Diffused	Green	6	20	60°
L58D-G12-W	L58D-G12-T	Diffused	Green	12	20	60°
L58D-G24-W	--	Diffused	Green	24	20	60°
L58D-R2-W	L58D-R2-T	Diffused	Red	2	10	60°
L58D-R6-W	L58D-R6-T	Diffused	Red	6	10	60°
L58D-R12-W	L58D-R12-T	Diffused	Red	12	10	60°
L58D-R24-W	--	Diffused	Red	24	10	60°
L58D-Y2-W	L58D-Y2-T	Diffused	Yellow	2	20	60°
L58D-Y6-W	L58D-Y6-T	Diffused	Yellow	6	20	60°
L58D-Y12-W	L58D-Y12-T	Diffused	Yellow	12	20	60°
L58D-Y24-W	--	Diffused	Yellow	24	20	60°

Polarity Determination - Wire Leads: Red wire lead denotes anode (+); black wire lead denotes cathode (-).
Bare terminals: longer terminal lead identifies the anode (+).