



Chipsmall Limited consists of a professional team with an average of over 10 year of expertise in the distribution of electronic components. Based in Hongkong, we have already established firm and mutual-benefit business relationships with customers from,Europe,America and south Asia,supplying obsolete and hard-to-find components to meet their specific needs.

With the principle of "Quality Parts,Customers Priority,Honest Operation,and Considerate Service",our business mainly focus on the distribution of electronic components. Line cards we deal with include Microchip,ALPS,ROHM,Xilinx,Pulse,ON,Everlight and Freescale. Main products comprise IC,Modules,Potentiometer,IC Socket,Relay,Connector.Our parts cover such applications as commercial,industrial, and automotives areas.

We are looking forward to setting up business relationship with you and hope to provide you with the best service and solution. Let us make a better world for our industry!



Contact us

Tel: +86-755-8981 8866 Fax: +86-755-8427 6832

Email & Skype: info@chipsmall.com Web: www.chipsmall.com

Address: A1208, Overseas Decoration Building, #122 Zhenhua RD., Futian, Shenzhen, China



DMOS DUAL FULL BRIDGE DRIVER

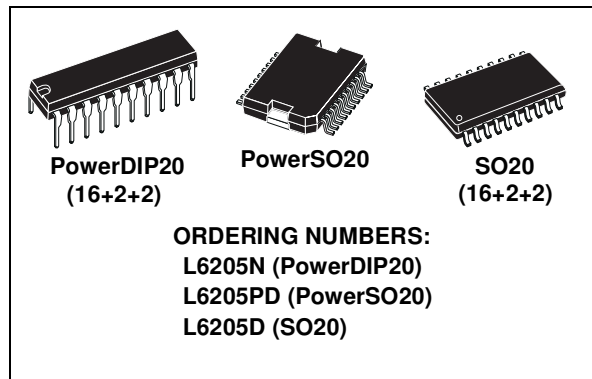
- OPERATING SUPPLY VOLTAGE FROM 8 TO 52V
- 5.6A OUTPUT PEAK CURRENT (2.8A DC)
- $R_{DS(ON)}$ 0.3Ω TYP. VALUE @ $T_j = 25\text{ }^\circ\text{C}$
- OPERATING FREQUENCY UP TO 100KHz
- NON DISSIPATIVE OVERCURRENT PROTECTION
- PARALLELED OPERATION
- CROSS CONDUCTION PROTECTION
- THERMAL SHUTDOWN
- UNDER VOLTAGE LOCKOUT
- INTEGRATED FAST FREE WHEELING DIODES

TYPICAL APPLICATIONS

- BIPOLAR STEPPER MOTOR
- DUAL OR QUAD DC MOTOR

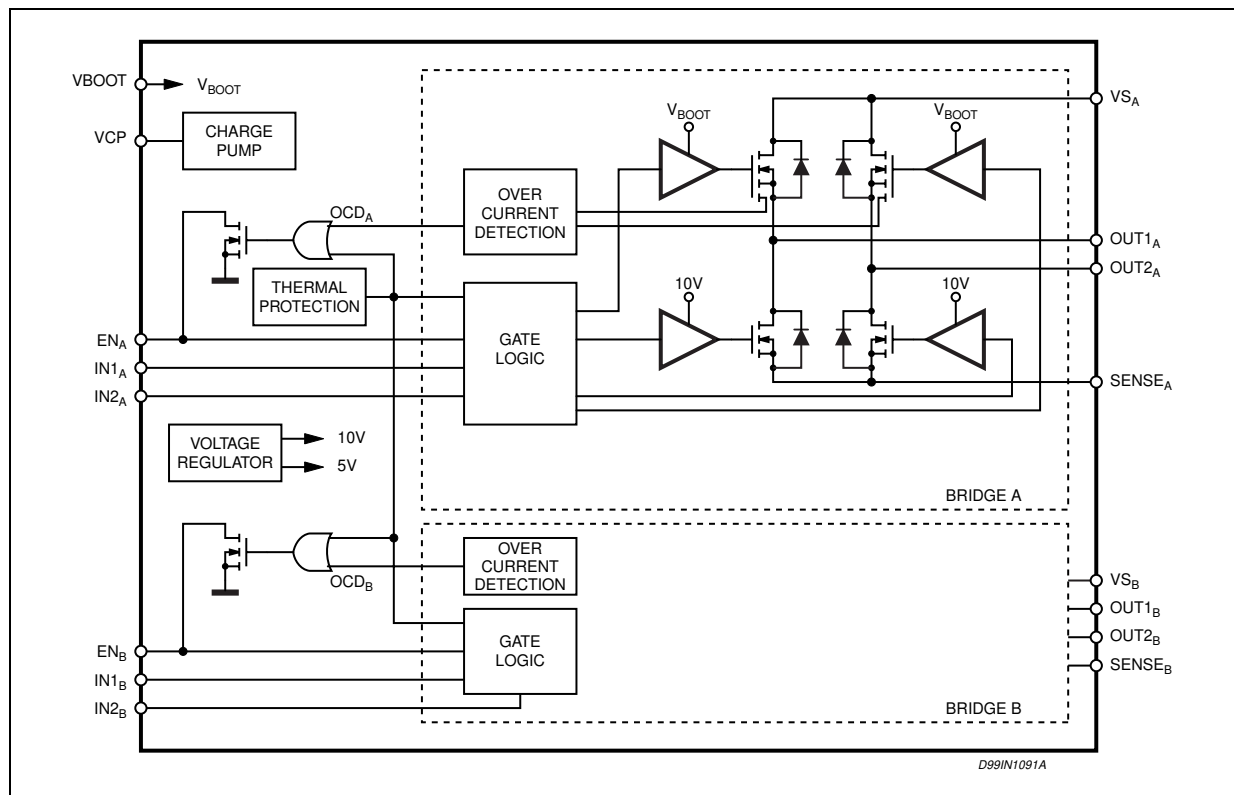
DESCRIPTION

The L6205 is a DMOS Dual Full Bridge designed for motor control applications, realized in MultiPower-



BCD technology, which combines isolated DMOS Power Transistors with CMOS and bipolar circuits on the same chip. Available in PowerDIP20 (16+2+2), PowerSO20 and SO20(16+2+2) packages, the L6205 features a non-dissipative protection of the high side PowerMOSFETs and thermal shutdown.

BLOCK DIAGRAM



ABSOLUTE MAXIMUM RATINGS

| Symbol | Parameter | Test conditions | Value | Unit |
|----------------------------------|--|--|------------|------|
| V_S | Supply Voltage | $V_{SA} = V_{SB} = V_S$ | 60 | V |
| V_{OD} | Differential Voltage between V_{SA} , $OUT1_A$, $OUT2_A$, $SENSE_A$ and V_{SB} , $OUT1_B$, $OUT2_B$, $SENSE_B$ | $V_{SA} = V_{SB} = V_S = 60V$; $V_{SENSE_A} = V_{SENSE_B} = GND$ | 60 | V |
| V_{BOOT} | Bootstrap Peak Voltage | $V_{SA} = V_{SB} = V_S$ | $V_S + 10$ | V |
| V_{IN}, V_{EN} | Input and Enable Voltage Range | | -0.3 to +7 | V |
| V_{SENSE_A} , V_{SENSE_B} | Voltage Range at pins $SENSE_A$ and $SENSE_B$ | | -1 to +4 | V |
| $I_{S(peak)}$ | Pulsed Supply Current (for each V_S pin), internally limited by the overcurrent protection | $V_{SA} = V_{SB} = V_S$; $t_{PULSE} < 1ms$ | 7.1 | A |
| I_S | RMS Supply Current (for each V_S pin) | $V_{SA} = V_{SB} = V_S$ | 2.8 | A |
| $T_{stg, TOP}$ | Storage and Operating Temperature Range | | -40 to 150 | °C |

RECOMMENDED OPERATING CONDITIONS

| Symbol | Parameter | Test Conditions | MIN | MAX | Unit |
|----------------------------------|--|--|----------|--------|--------|
| V_S | Supply Voltage | $V_{SA} = V_{SB} = V_S$ | 8 | 52 | V |
| V_{OD} | Differential Voltage Between V_{SA} , $OUT1_A$, $OUT2_A$, $SENSE_A$ and V_{SB} , $OUT1_B$, $OUT2_B$, $SENSE_B$ | $V_{SA} = V_{SB} = V_S$; $V_{SENSE_A} = V_{SENSE_B}$ | | 52 | V |
| V_{SENSE_A} , V_{SENSE_B} | Voltage Range at pins $SENSE_A$ and $SENSE_B$ | (pulsed $t_W < t_{rr}$) (DC) | -6 -1 | 6 1 | V V |
| I_{OUT} | RMS Output Current | | | 2.8 | A |
| T_j | Operating Junction Temperature | | -25 | +125 | °C |
| f_{sw} | Switching Frequency | | | 100 | KHz |

THERMAL DATA

| Symbol | Description | PowerDIP20 | SO20 | PowerSO20 | Unit |
|-----------------|--|------------|------|-----------|------|
| $R_{th-j-pins}$ | Maximum Thermal Resistance Junction-Pins | 12 | 14 | - | °C/W |
| $R_{th-j-case}$ | Maximum Thermal Resistance Junction-Case | - | - | 1 | °C/W |
| $R_{th-j-amb1}$ | Maximum Thermal Resistance Junction-Ambient ¹ | 40 | 51 | - | °C/W |
| $R_{th-j-amb1}$ | Maximum Thermal Resistance Junction-Ambient ² | - | - | 35 | °C/W |
| $R_{th-j-amb1}$ | Maximum Thermal Resistance Junction-Ambient ³ | - | - | 15 | °C/W |
| $R_{th-j-amb2}$ | Maximum Thermal Resistance Junction-Ambient ⁴ | 56 | 77 | 62 | °C/W |

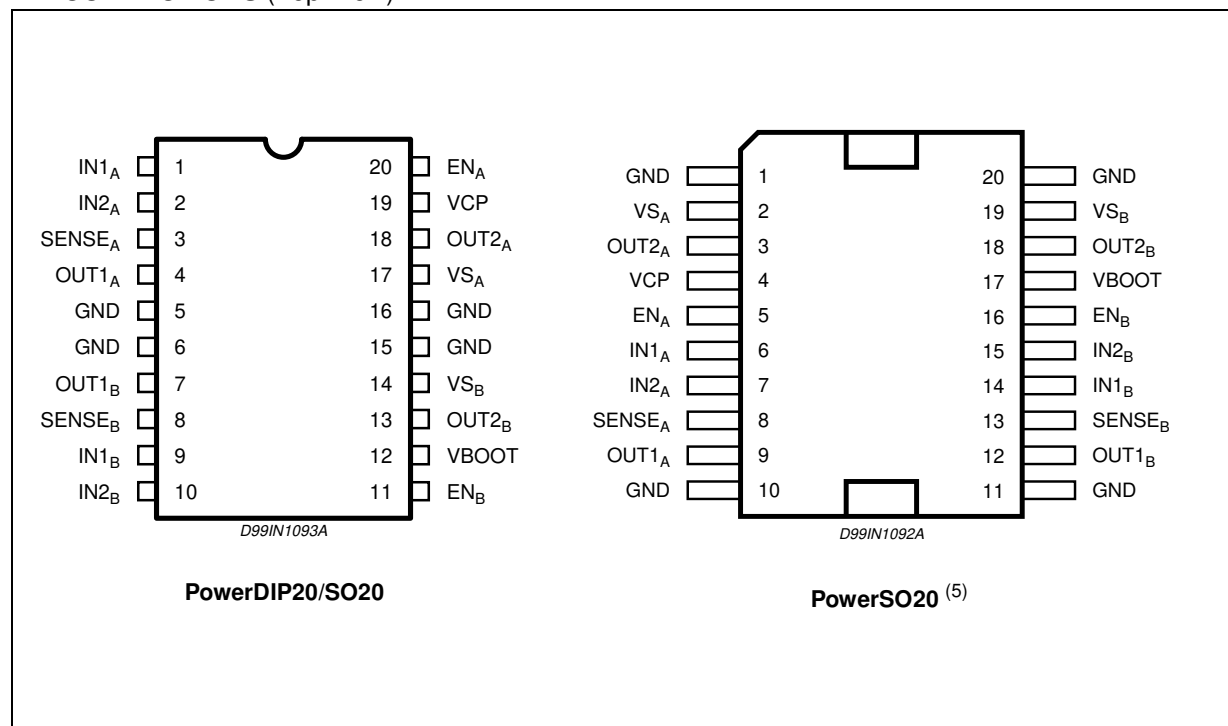
(1) Mounted on a multi-layer FR4 PCB with a dissipating copper surface on the bottom side of 6cm² (with a thickness of 35µm).

(2) Mounted on a multi-layer FR4 PCB with a dissipating copper surface on the top side of 6cm² (with a thickness of 35µm).

(3) Mounted on a multi-layer FR4 PCB with a dissipating copper surface on the top side of 6cm² (with a thickness of 35µm), 16 via holes and a ground layer.

(4) Mounted on a multi-layer FR4 PCB without any heat sinking surface on the board.

PIN CONNECTIONS (Top View)



PIN DESCRIPTION

| PACKAGE | | Name | Type | Function |
|---------------------|---------------|--------------------|----------------------------|--|
| SO20/ PowerDIP20 | PowerSO20 | | | |
| PIN # | PIN # | | | |
| 1 | 6 | IN1 _A | Logic Input | Bridge A Logic Input 1. |
| 2 | 7 | IN2 _A | Logic Input | Bridge A Logic Input 2. |
| 3 | 8 | SENSE _A | Power Supply | Bridge A Source Pin. This pin must be connected to Power Ground directly or through a sensing power resistor. |
| 4 | 9 | OUT1 _A | Power Output | Bridge A Output 1. |
| 5, 6, 15, 16 | 1, 10, 11, 20 | GND | GND | Signal Ground terminals. In PowerDIP and SO packages, these pins are also used for heat dissipation toward the PCB. |
| 7 | 12 | OUT1 _B | Power Output | Bridge B Output 1. |
| 8 | 13 | SENSE _B | Power Supply | Bridge B Source Pin. This pin must be connected to Power Ground directly or through a sensing power resistor. |
| 9 | 14 | IN1 _B | Logic Input | Bridge B Logic Input 1. |
| 10 | 15 | IN2 _B | Logic Input | Bridge B Logic Input 2. |
| 11 | 16 | EN _B | Logic Input ⁽⁶⁾ | Bridge B Enable. LOW logic level switches OFF all Power MOSFETs of Bridge B. This pin is also connected to the collector of the Overcurrent and Thermal Protection transistor to implement over current protection. If not used, it has to be connected to +5V through a resistor. |
| 12 | 17 | VBOOT | Supply Voltage | Bootstrap Voltage needed for driving the upper PowerMOSFETs of both Bridge A and Bridge B. |
| 13 | 18 | OUT2 _B | Power Output | Bridge B Output 2. |
| 14 | 19 | VS _B | Power Supply | Bridge B Power Supply Voltage. It must be connected to the supply voltage together with pin VS _A . |
| 17 | 2 | VS _A | Power Supply | Bridge A Power Supply Voltage. It must be connected to the supply voltage together with pin VS _B . |
| 18 | 3 | OUT2 _A | Power Output | Bridge A Output 2. |
| 19 | 4 | VCP | Output | Charge Pump Oscillator Output. |
| 20 | 5 | EN _A | Logic Input ⁽⁶⁾ | Bridge A Enable. LOW logic level switches OFF all Power MOSFETs of Bridge A. This pin is also connected to the collector of the Overcurrent and Thermal Protection transistor to implement over current protection. If not used, it has to be connected to +5V through a resistor. |

(6) Also connected at the output drain of the Overcurrent and Thermal protection MOSFET. Therefore, it has to be driven putting in series a resistor with a value in the range of 2.2kΩ - 180kΩ, recommended 100kΩ

ELECTRICAL CHARACTERISTICS(T_{amb} = 25 °C, V_S = 48V, unless otherwise specified)

| Symbol | Parameter | Test Conditions | Min | Typ | Max | Unit |
|-----------------------|------------------------------|--|-----|-----|-----|------|
| V _{StH(ON)} | Turn-on Threshold | | 6.6 | 7 | 7.4 | V |
| V _{StH(OFF)} | Turn-off Threshold | | 5.6 | 6 | 6.4 | V |
| I _S | Quiescent Supply Current | All Bridges OFF; T _j = -25°C to 125°C ⁽⁷⁾ | | 5 | 10 | mA |
| T _{j(OFF)} | Thermal Shutdown Temperature | | | 165 | | °C |

Output DMOS Transistors

| | | | | | | |
|---------------------|--------------------------------|--|-------|------|------|----|
| R _{DS(ON)} | High-Side Switch ON Resistance | T _j = 25 °C | | 0.34 | 0.4 | Ω |
| | | T _j = 125 °C ⁽⁷⁾ | | 0.53 | 0.59 | Ω |
| | Low-Side Switch ON Resistance | T _j = 25 °C | | 0.28 | 0.34 | Ω |
| | | T _j = 125 °C ⁽⁷⁾ | | 0.47 | 0.53 | Ω |
| I _{DSS} | Leakage Current | EN = Low; OUT = V _S | | | 2 | mA |
| | | EN = Low; OUT = GND | -0.15 | | | mA |

Source Drain Diodes

| | | | | | | |
|-----------------|-----------------------|----------------------------------|--|------|-----|----|
| V _{SD} | Forward ON Voltage | I _{SD} = 2.8A, EN = LOW | | 1.15 | 1.3 | V |
| t _{rr} | Reverse Recovery Time | I _f = 2.8A | | 300 | | ns |
| t _{fr} | Forward Recovery Time | | | 200 | | ns |

Logic Input

| | | | | | | |
|----------------------|--------------------------------|-------------------------|------|-----|-----|----|
| V _{IL} | Low level logic input voltage | | -0.3 | | 0.8 | V |
| V _{IH} | High level logic input voltage | | 2 | | 7 | V |
| I _{IL} | Low Level Logic Input Current | GND Logic Input Voltage | -10 | | | μA |
| I _{IH} | High Level Logic Input Current | 7V Logic Input Voltage | | | 10 | μA |
| V _{th(ON)} | Turn-on Input Threshold | | | 1.8 | 2.0 | V |
| V _{th(OFF)} | Turn-off Input Threshold | | 0.8 | 1.3 | | V |
| V _{th(HYS)} | Input Threshold Hysteresis | | 0.25 | 0.5 | | V |

Switching Characteristics

| | | | | | | |
|-----------------------|--|--|-----|-----|-----|----|
| t _{D(on)EN} | Enable to out turn ON delay time ⁽⁸⁾ | I _{LOAD} = 2.8A, Resistive Load | 100 | 250 | 400 | ns |
| t _{D(on)IN} | Input to out turn ON delay time | I _{LOAD} = 2.8A, Resistive Load (dead time included) | | 1.6 | | μs |
| t _{RISE} | Output rise time ⁽⁸⁾ | I _{LOAD} = 2.8A, Resistive Load | 40 | | 250 | ns |
| t _{D(off)EN} | Enable to out turn OFF delay time ⁽⁸⁾ | I _{LOAD} = 2.8A, Resistive Load | 300 | 550 | 800 | ns |

ELECTRICAL CHARACTERISTICS (continued)

($T_{amb} = 25\text{ }^{\circ}\text{C}$, $V_s = 48\text{V}$, unless otherwise specified)

| Symbol | Parameter | Test Conditions | Min | Typ | Max | Unit |
|----------------|----------------------------------|---|-----|-----|-----|---------------|
| $t_{D(OFF)IN}$ | Input to out turn OFF delay time | $I_{LOAD} = 2.8\text{A}$, Resistive Load | | 600 | | ns |
| t_{FALL} | Output Fall Time ⁽⁸⁾ | $I_{LOAD} = 2.8\text{A}$, Resistive Load | 40 | | 250 | ns |
| t_{dt} | Dead Time Protection | | 0.5 | 1 | | μs |
| f_{CP} | Charge pump frequency | $-25^{\circ}\text{C} < T_j < 125^{\circ}\text{C}$ | | 0.6 | 1 | MHz |

Over Current Protection

| | | | | | | |
|----------------|---|---|---|-----|-----|----------|
| I_{SOVER} | Input Supply Overcurrent Protection Threshold | $T_j = -25^{\circ}\text{C}$ to 125°C ⁽⁷⁾ | 4 | 5.6 | 7.1 | A |
| R_{OPDR} | Open Drain ON Resistance | $I = 4\text{mA}$ | | 40 | 60 | Ω |
| $t_{OCD(ON)}$ | OCD Turn-on Delay Time ⁽⁹⁾ | $I = 4\text{mA}$; $C_{EN} < 100\text{pF}$ | | 200 | | ns |
| $t_{OCD(OFF)}$ | OCD Turn-off Delay Time ⁽⁹⁾ | $I = 4\text{mA}$; $C_{EN} < 100\text{pF}$ | | 100 | | ns |

(7) Tested at 25°C in a restricted range and guaranteed by characterization.

(8) See Fig. 1.

(9) See Fig. 2.

Figure 1. Switching Characteristic Definition

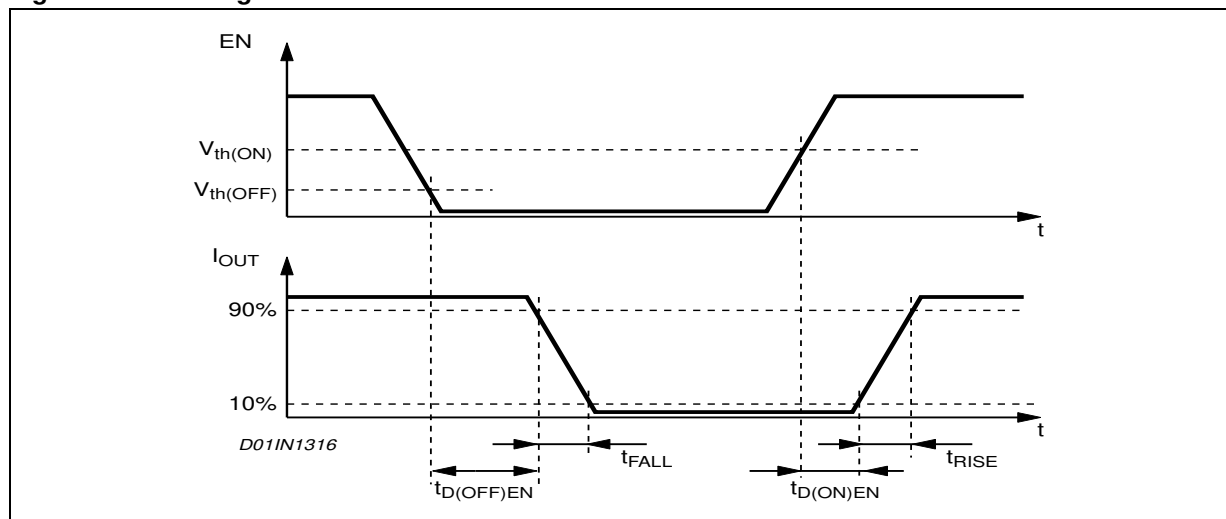
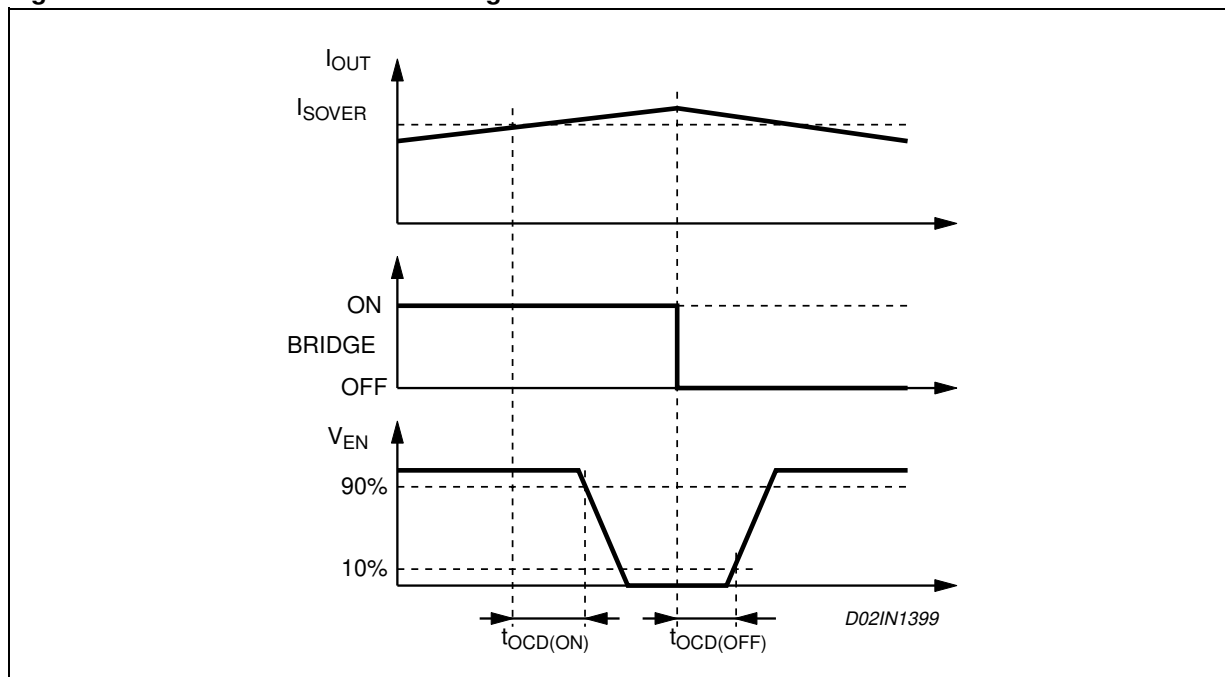


Figure 2. Overcurrent Detection Timing Definition



CIRCUIT DESCRIPTION

POWER STAGES and CHARGE PUMP

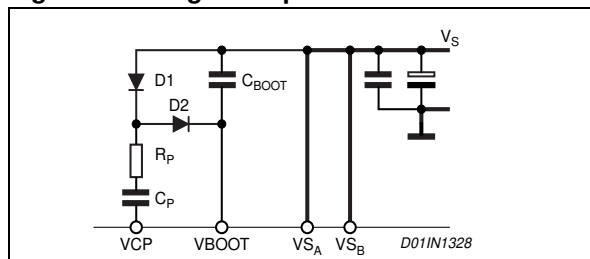
The L6205 integrates two independent Power MOS Full Bridges. Each Power MOS has an $R_{dson}=0.3\text{ohm}$ (typical value @ 25°C), with intrinsic fast freewheeling diode. Cross conduction protection is achieved using a dead time ($t_d = 1\mu\text{s}$ typical) between the switch off and switch on of two Power MOS in one leg of a bridge.

Using N Channel Power MOS for the upper transistors in the bridge requires a gate drive voltage above the power supply voltage. The Bootstrapped (Vboot) supply is obtained through an internal Oscillator and few external components to realize a charge pump circuit as shown in Figure 3. The oscillator output (VCP) is a square wave at 600kHz (typical) with 10V amplitude. Recommended values/part numbers for the charge pump circuit are shown in Table1.

Table 1. Charge Pump External Components Values

| | |
|-------------------|--------|
| C _{BOOT} | 220nF |
| C _P | 10nF |
| R _P | 100Ω |
| D1 | 1N4148 |
| D2 | 1N4148 |

Figure 3. Charge Pump Circuit



LOGIC INPUTS

Pins IN1_A, IN2_A, IN1_B and IN2_B are TTL/CMOS and μC compatible logic inputs. The internal structure is shown in Fig. 4. Typical value for turn-on and turn-off thresholds are respectively $V_{thon}=1.8\text{V}$ and $V_{thoff}=1.3\text{V}$.

Pins EN_A and EN_B have identical input structure with the exception that the drains of the Overcurrent and thermal protection MOSFETs (one for the Bridge A and one for the Bridge B) are also connected to these pins. Due to these connections some care needs to be taken in driving these pins. The EN_A and EN_B inputs may be driven in one of two configurations as shown in figures 5 or 6. If driven by an open drain

(collector) structure, a pull-up resistor R_{EN} and a capacitor C_{EN} are connected as shown in Fig. 5. If the driver is a standard Push-Pull structure the resistor R_{EN} and the capacitor C_{EN} are connected as shown in Fig. 6. The resistor R_{EN} should be chosen in the range from 2.2kΩ to 180KΩ. Recommended values for R_{EN} and C_{EN} are respectively 100KΩ and 5.6nF. More information on selecting the values is found in the Overcurrent Protection section.

Figure 4. Logic Inputs Internal Structure

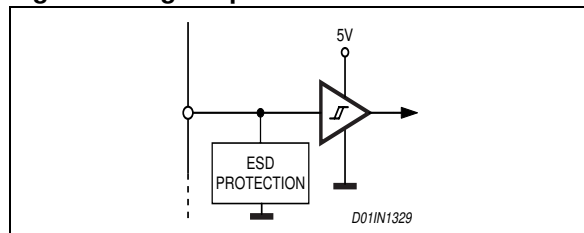


Figure 5. EN_A and EN_B Pins Open Collector Driving

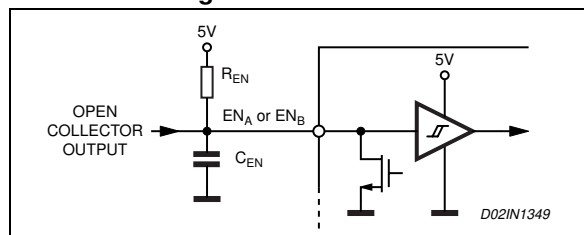
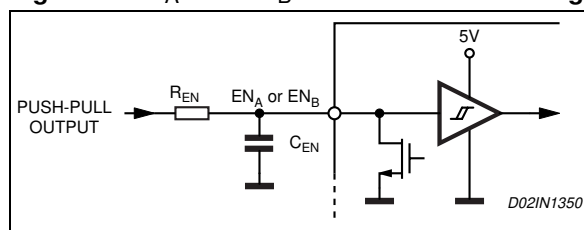


Figure 6. EN_A and EN_B Pins Push-Pull Driving



TRUTH TABLE

| INPUTS | | | OUTPUTS | |
|--------|-----|-----|----------------|----------------|
| EN | IN1 | IN2 | OUT1 | OUT2 |
| L | X | X | High Z | High Z |
| H | L | L | GND | GND |
| H | H | L | V _s | GND |
| H | L | H | GND | V _s |
| H | H | H | V _s | V _s |

X = Don't care

High Z = High Impedance Output



NON-DISSIPATIVE OVERCURRENT PROTECTION

The L6205 integrates an Overcurrent Detection Circuit (OCD). This circuit provides protection against a short circuit to ground or between two phases of the bridge. With this internal over current detection, the external current sense resistor normally used and its associated power dissipation are eliminated. Figure 7 shows a simplified schematic of the overcurrent detection circuit.

To implement the over current detection, a sensing element that delivers a small but precise fraction of the output current is implemented with each high side power MOS. Since this current is a small fraction of the output current there is very little additional power dissipation. This current is compared with an internal reference current I_{REF} . When the output current in one bridge reaches the detection threshold (typically 5.6A) the relative OCD comparator signals a fault condition. When a fault condition is detected, the EN pin is pulled below the turn off threshold (1.3V typical) by an internal open drain MOS with a pull down capability of 4mA. By using an external R-C on the EN pin, the off time before recovering normal operation can be easily programmed by means of the accurate thresholds of the logic inputs.

Figure 7. Overcurrent Protection Simplified Schematic

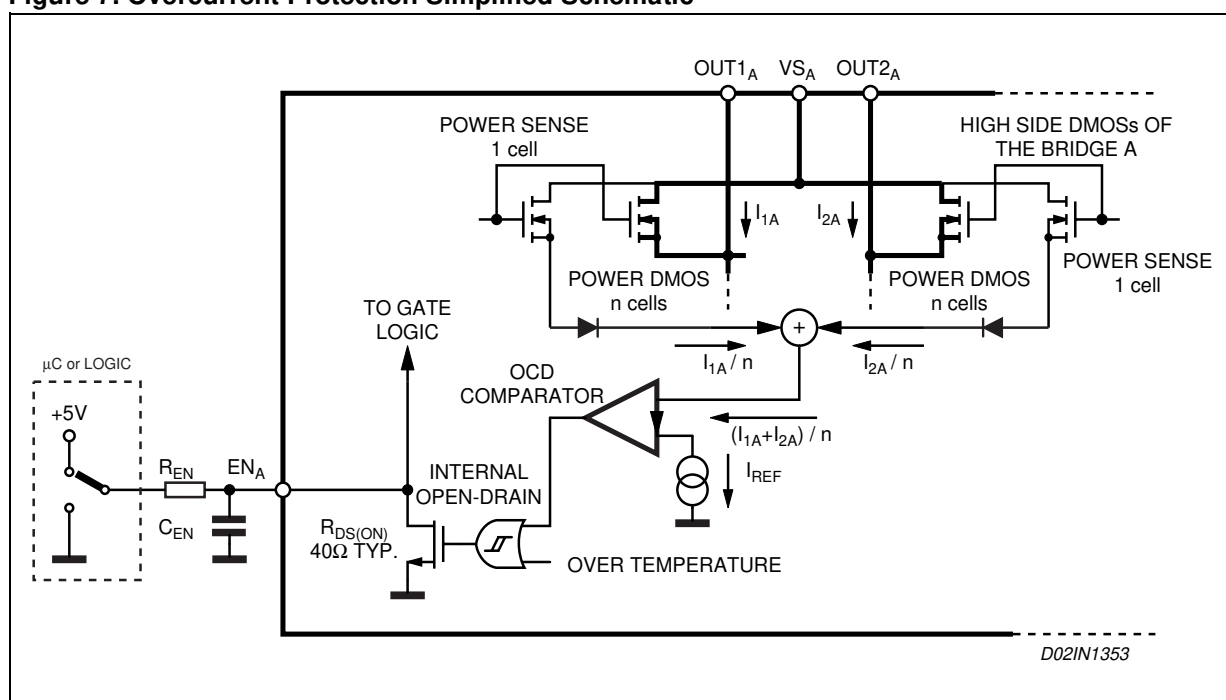


Figure 8 shows the Overcurrent Detection operation. The Disable Time $t_{DISABLE}$ before recovering normal operation can be easily programmed by means of the accurate thresholds of the logic inputs. It is affected whether by C_{EN} and R_{EN} values and its magnitude is reported in Figure 9. The Delay Time t_{DELAY} before turning off the bridge when an overcurrent has been detected depends only by C_{EN} value. Its magnitude is reported in Figure 10.

C_{EN} is also used for providing immunity to pin EN against fast transient noises. Therefore the value of C_{EN} should be chosen as big as possible according to the maximum tolerable Delay Time and the R_{EN} value should be chosen according to the desired Disable Time.

The resistor R_{EN} should be chosen in the range from 2.2K Ω to 180K Ω . Recommended values for R_{EN} and C_{EN} are respectively 100K Ω and 5.6nF that allow obtaining 200 μ s Disable Time.

Figure 8. Overcurrent Protection Waveforms

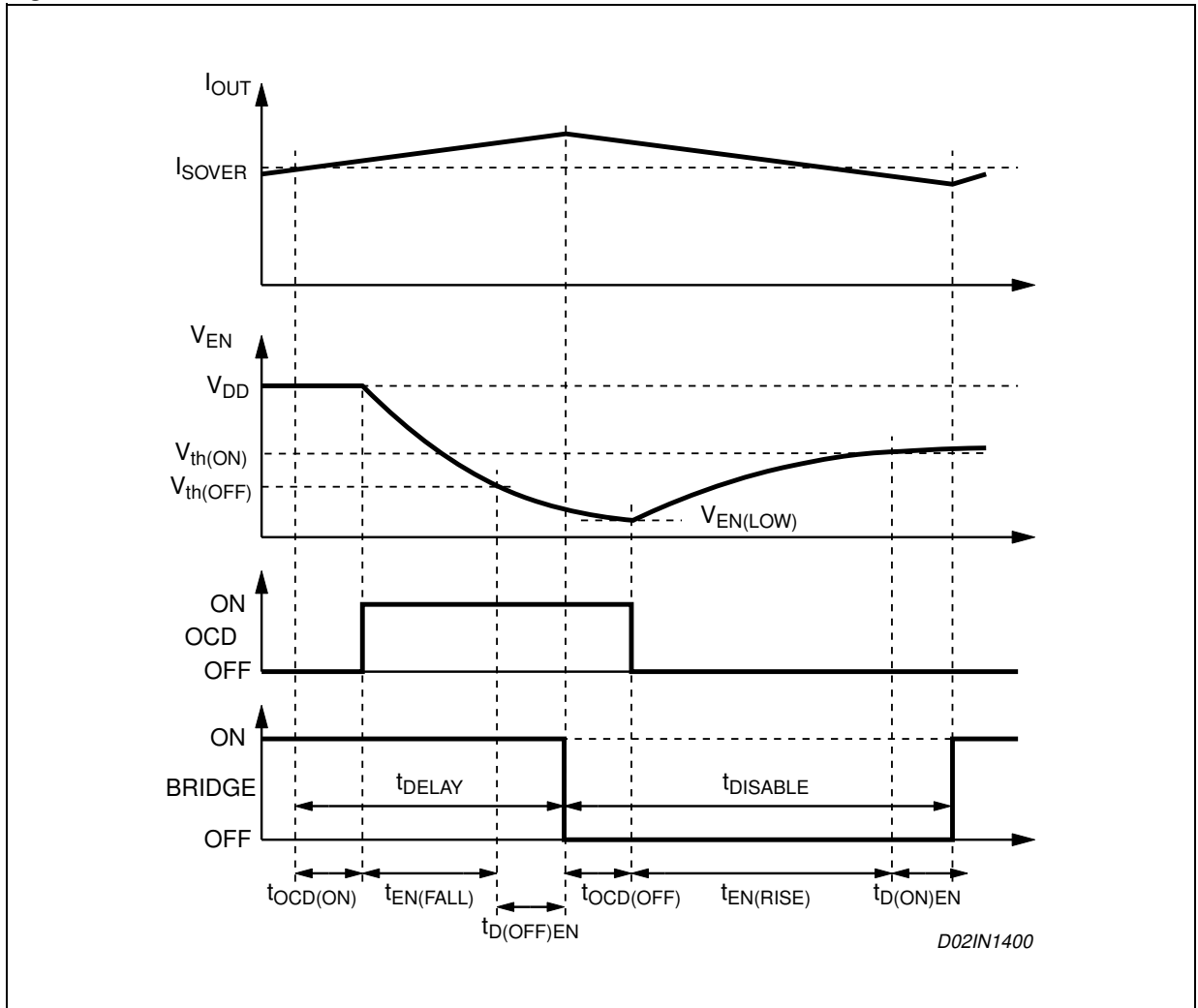
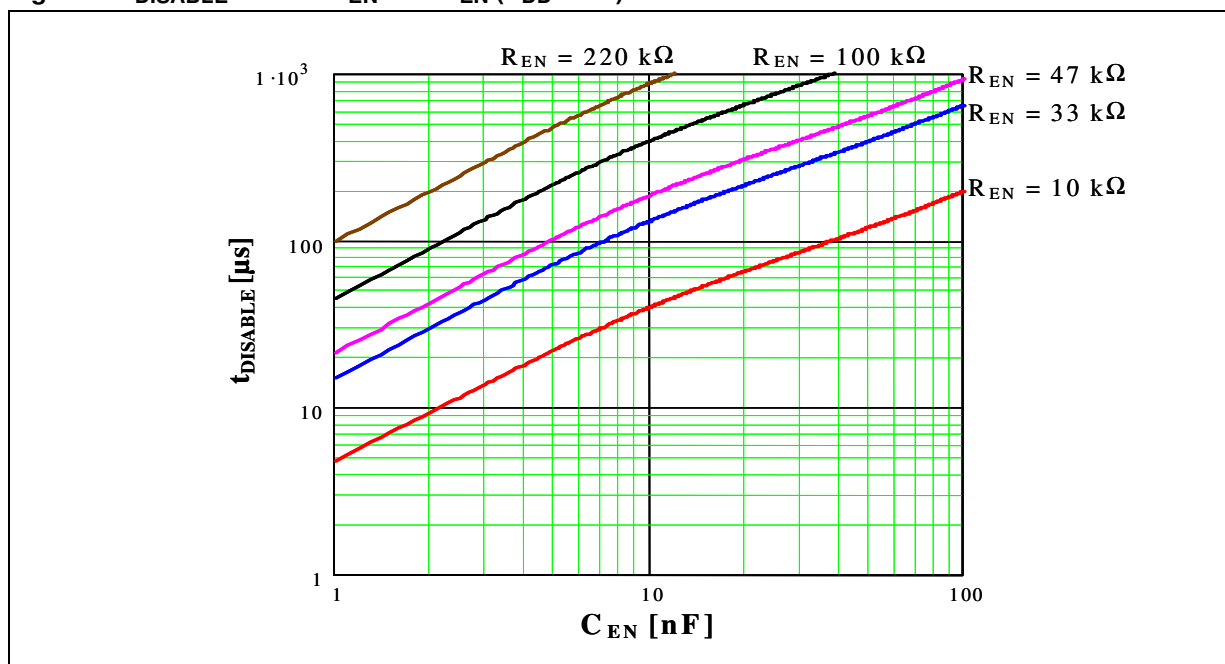
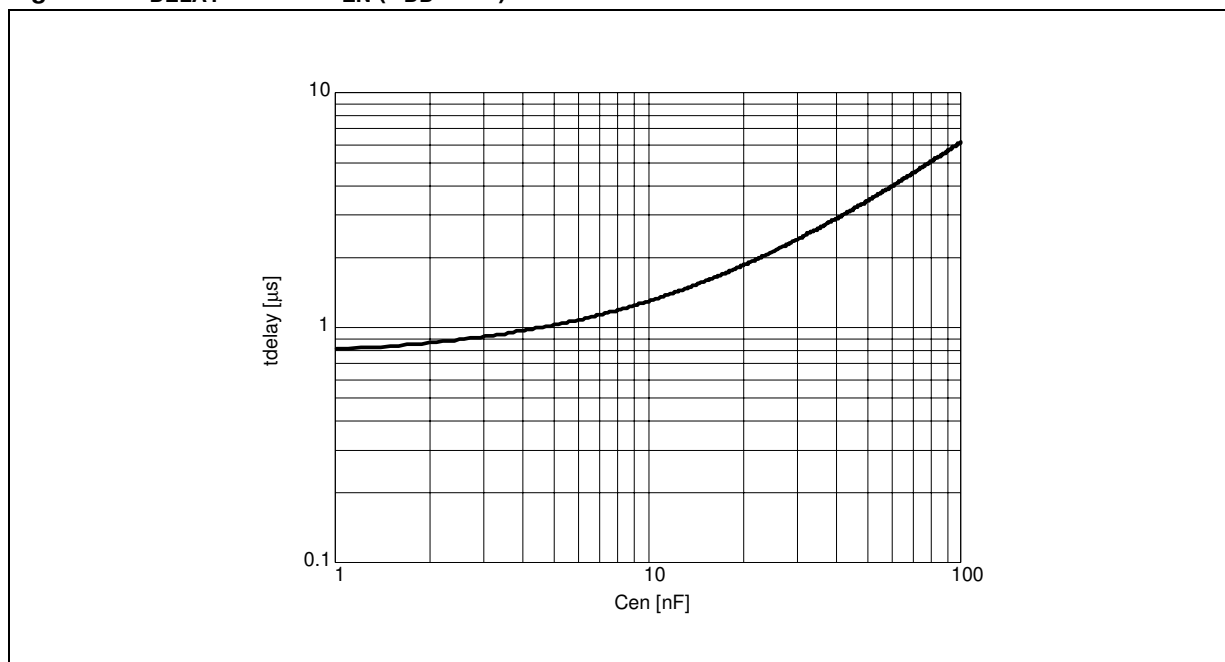


Figure 9. t_{DISABLE} versus C_{EN} and R_{EN} ($V_{\text{DD}} = 5\text{V}$).Figure 10. t_{DELAY} versus C_{EN} ($V_{\text{DD}} = 5\text{V}$).

THERMAL PROTECTION

In addition to the Overcurrent Protection, the L6205 integrates a Thermal Protection for preventing the device destruction in case of junction over temperature. It works sensing the die temperature by means of a sensible element integrated in the die. The device switch-off when the junction temperature reaches 165°C (typ. value) with 15°C hysteresis (typ. value).

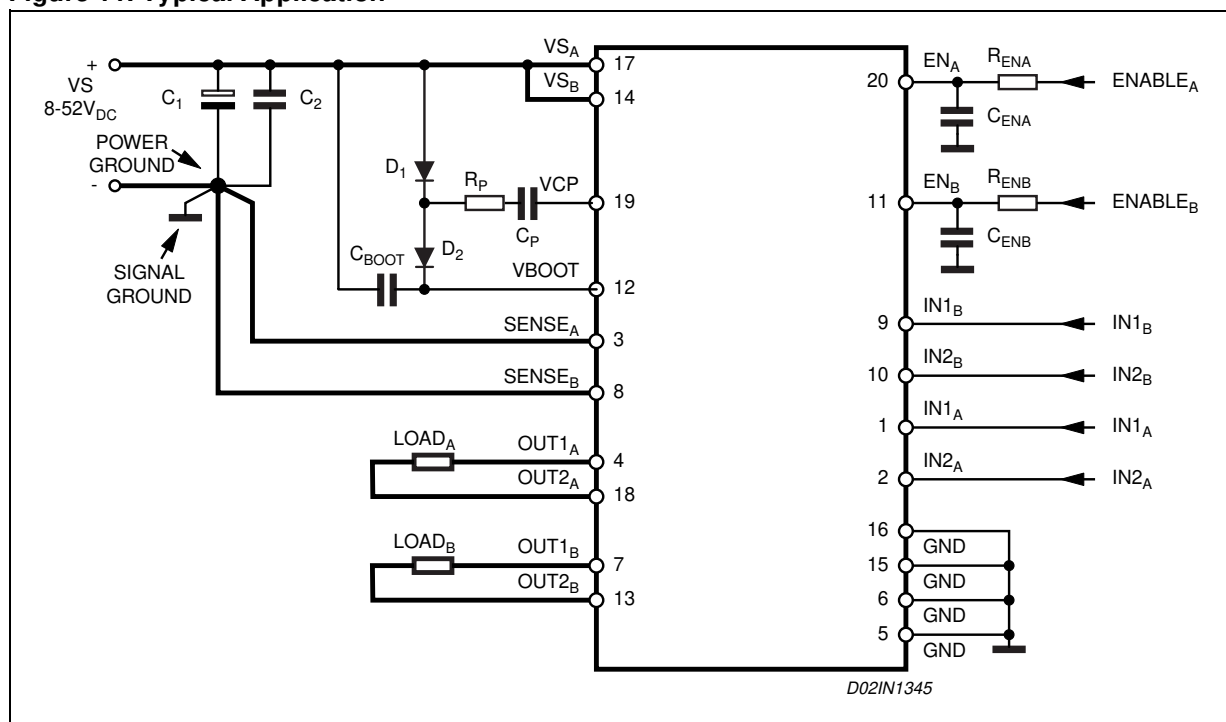
APPLICATION INFORMATION

A typical application using L6205 is shown in Fig. 11. Typical component values for the application are shown in Table 2. A high quality ceramic capacitor in the range of 100 to 200 nF should be placed between the power pins (VS_A and VS_B) and ground near the L6205 to improve the high frequency filtering on the power supply and reduce high frequency transients generated by the switching. The capacitors connected from the EN_A and EN_B inputs to ground set the shut down time for the Bridge A and Bridge B respectively when an over current is detected (see Overcurrent Protection). The two current sources ($SENSE_A$ and $SENSE_B$) should be connected to Power Ground with a trace length as short as possible in the layout. To increase noise immunity, unused logic pins (except EN_A and EN_B) are best connected to 5V (High Logic Level) or GND (Low Logic Level) (see pin description). It is recommended to keep Power Ground and Signal Ground separated on PCB.

Table 2. Component Values for Typical Application

| | | | |
|------------|-------|-----------|---------------|
| C_1 | 100uF | D_1 | 1N4148 |
| C_2 | 100nF | D_2 | 1N4148 |
| C_{BOOT} | 220nF | R_{ENA} | 100k Ω |
| C_P | 10nF | R_{ENB} | 100k Ω |
| C_{ENA} | 5.6nF | R_P | 100 Ω |
| C_{ENB} | 5.6nF | | |

Figure 11. Typical Application



PARALLELED OPERATION

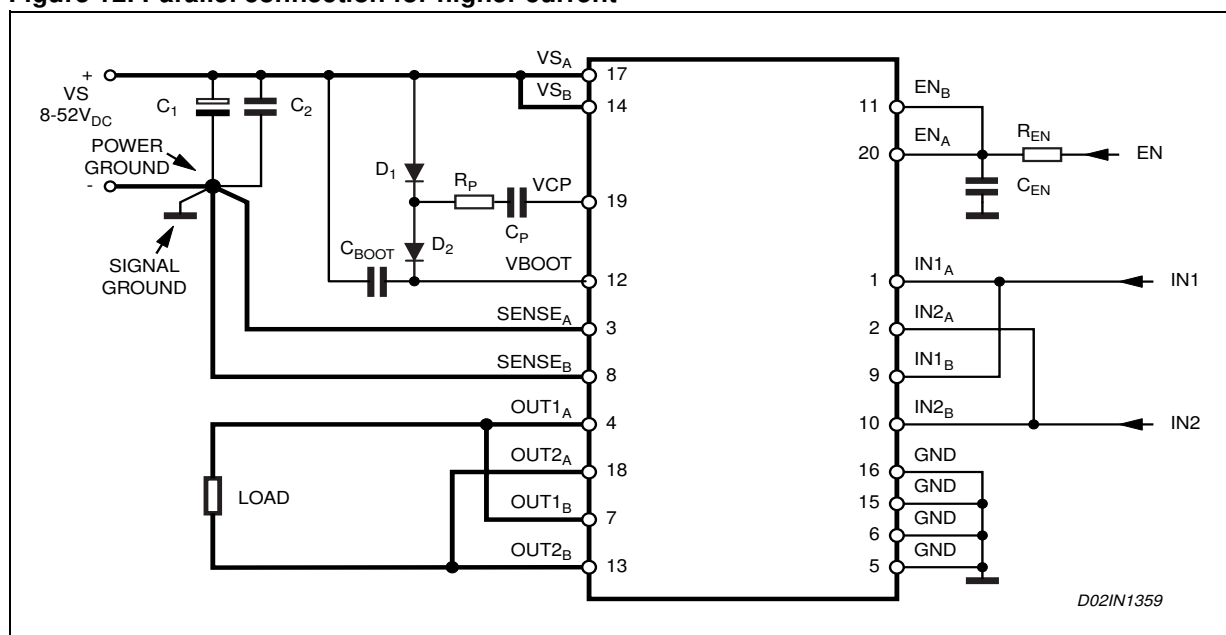
The outputs of the L6205 can be paralleled to increase the output current capability or reduce the power dissipation in the device at a given current level. It must be noted, however, that the internal wire bond connections from the die to the power or sense pins of the package must carry current in both of the associated half bridges. When the two halves of one full bridge (for example OUT1_A and OUT2_A) are connected in parallel, the peak current rating is not increased since the total current must still flow through one bond wire on the power supply or sense pin. In addition, the over current detection senses the sum of the current in the upper devices of each bridge (A or B) so connecting the two halves of one bridge in parallel does not increase the over current detection threshold.

For most applications the recommended configuration is Half Bridge 1 of Bridge A paralleled with the Half Bridge 1 of the Bridge B, and the same for the Half Bridges 2 as shown in Figure 12. The current in the two devices connected in parallel will share very well since the $R_{DS(ON)}$ of the devices on the same die is well matched.

In this configuration the resulting Bridge has the following characteristics.

- Equivalent Device: FULL BRIDGE
- $R_{DS(ON)}$ 0.15 Ω Typ. Value @ $T_J = 25^\circ\text{C}$
- 5.6A max RMS Load Current
- 11.2A OCD Threshold

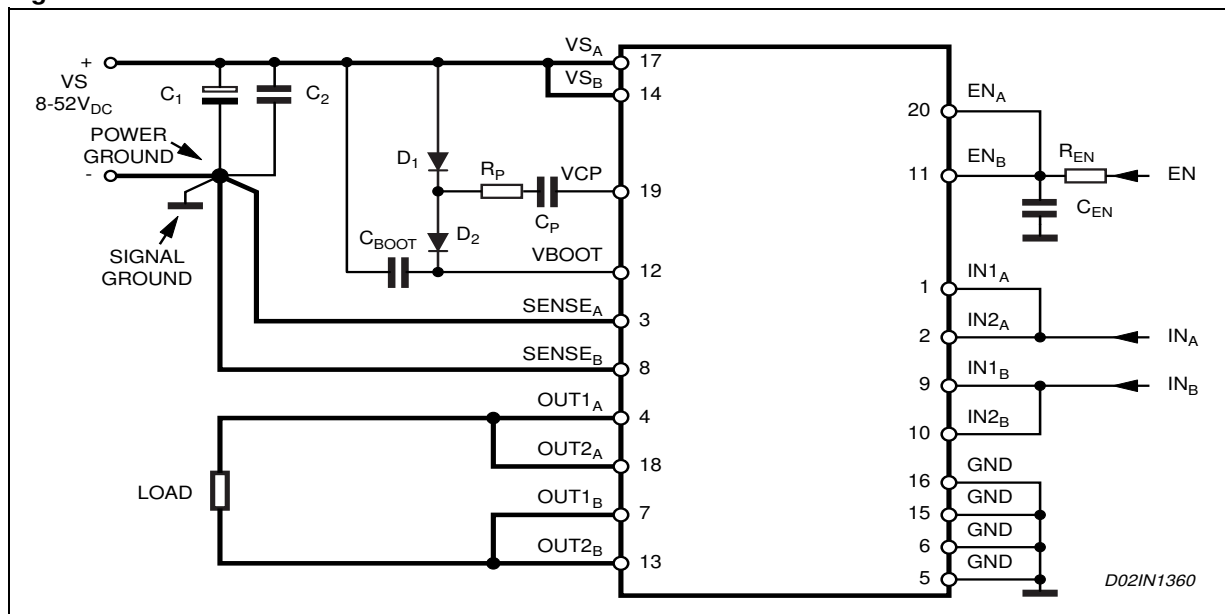
Figure 12. Parallel connection for higher current



To operate the device in parallel and maintain a lower over current threshold, Half Bridge 1 and the Half Bridge 2 of the Bridge A can be connected in parallel and the same done for the Bridge B as shown in Figure 13. In this configuration, the peak current for each half bridge is still limited by the bond wires for the supply and sense pins so the dissipation in the device will be reduced, but the peak current rating is not increased. This configuration, the resulting bridge has the following characteristics.

- Equivalent Device: FULL BRIDGE
- $R_{DS(ON)}$ 0.15 Ω Typ. Value @ $T_J = 25^\circ\text{C}$
- 2.8A max RMS Load Current
- 5.6A OCD Threshold

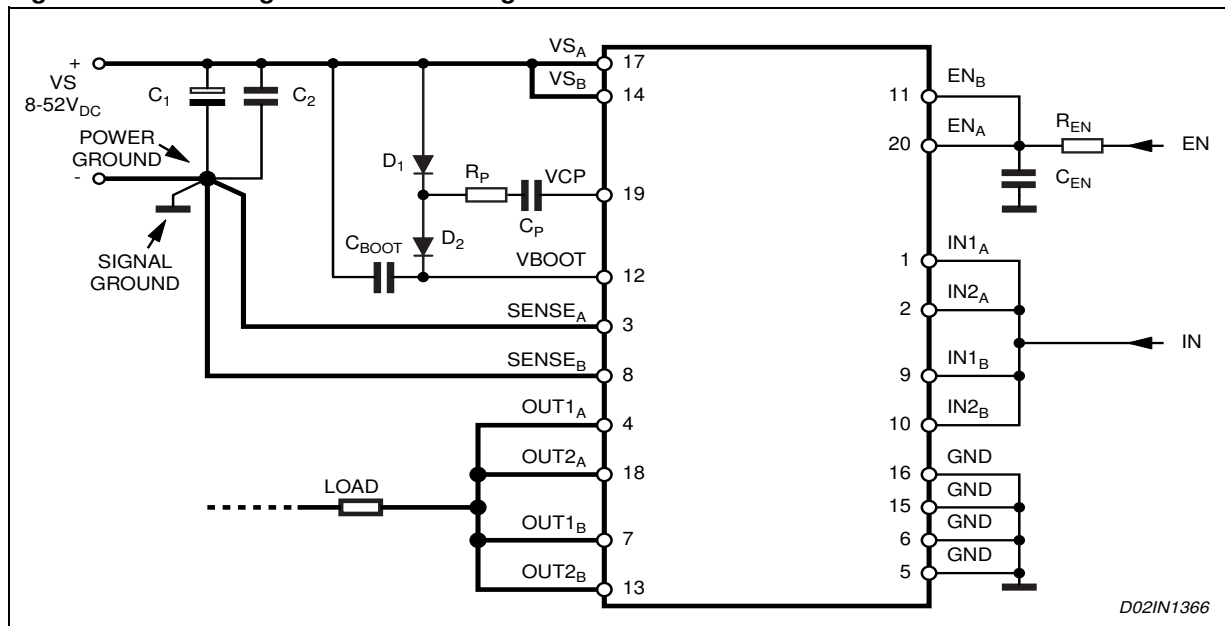
Figure 13. Parallel connection with lower Overcurrent Threshold



It is also possible to parallel the four Half Bridges to obtain a simple Half Bridge as shown in Fig. 14. The resulting half bridge has the following characteristics.

- Equivalent Device: HALF BRIDGE
- $R_{DS(ON)}$ 0.075Ω Typ. Value @ $T_J = 25^\circ\text{C}$
- 5.6A max RMS Load Current
- 11.2A OCD Threshold

Figure 14. Paralleling the four Half Bridges



OUTPUT CURRENT CAPABILITY AND IC POWER DISSIPATION

In Fig. 15 and Fig. 16 are shown the approximate relation between the output current and the IC power dissipation using PWM current control driving two loads, for two different driving types:

- One Full Bridge ON at a time (Fig. 15) in which only one load at a time is energized.
- Two Full Bridges ON at the same time (Fig. 16) in which two loads at the same time are energized.

For a given output current and driving type the power dissipated by the IC can be easily evaluated, in order to establish which package should be used and how large must be the on-board copper dissipating area to guarantee a safe operating junction temperature (125°C maximum).

Figure 15. IC Power Dissipation versus Output Current with One Full Bridge ON at a time.

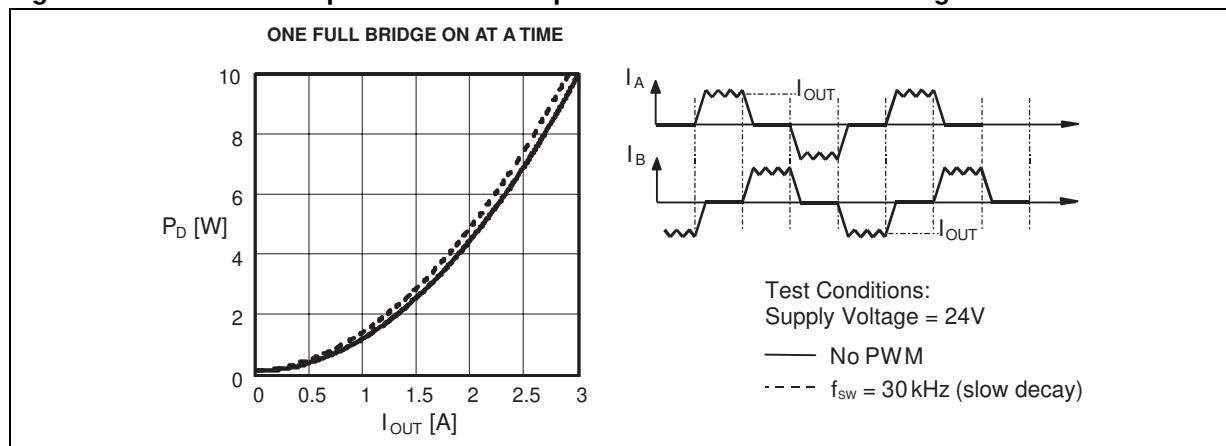
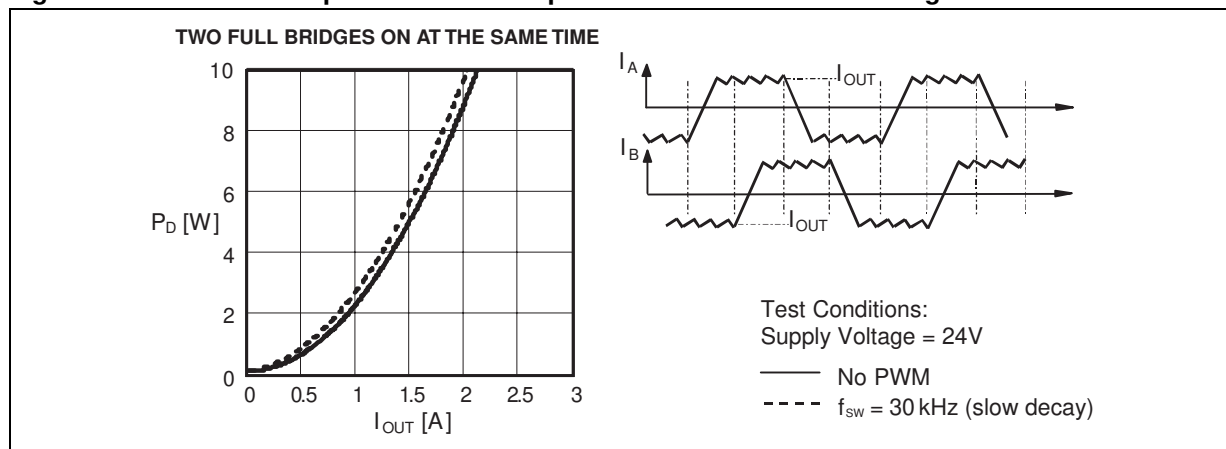


Figure 16. IC Power Dissipation versus Output Current with Two Full Bridges ON at the same time.



THERMAL MANAGEMENT

In most applications the power dissipation in the IC is the main factor that sets the maximum current that can be delivered by the device in a safe operating condition. Therefore, it has to be taken into account very carefully. Besides the available space on the PCB, the right package should be chosen considering the power dissipation. Heat sinking can be achieved using copper on the PCB with proper area and thickness. Figures 18, 19 and 20 show the Junction-to-Ambient Thermal Resistance values for the PowerSO20, PowerDIP20 and SO20 packages.

For instance, using a PowerSO package with copper slug soldered on a 1.5 mm copper thickness FR4 board with 6cm² dissipating footprint (copper thickness of 35µm), the $R_{thj-amb}$ is about 35°C/W. Fig. 17 shows mounting methods for this package. Using a multi-layer board with vias to a ground plane, thermal impedance can be reduced down to 15°C/W.

Figure 17. Mounting the PowerSO package.

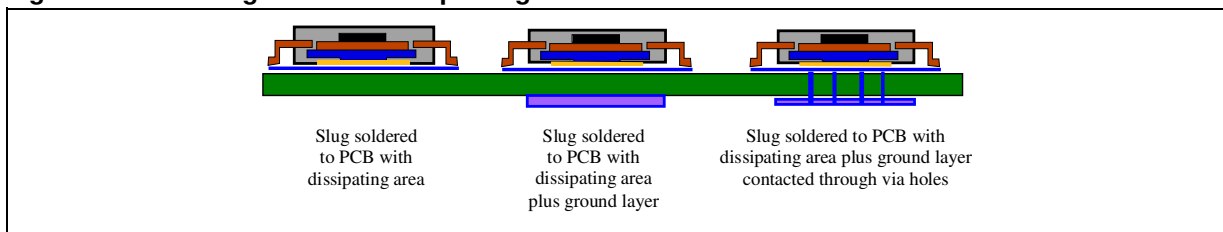


Figure 18. PowerSO20 Junction-Ambient thermal resistance versus on-board copper area.

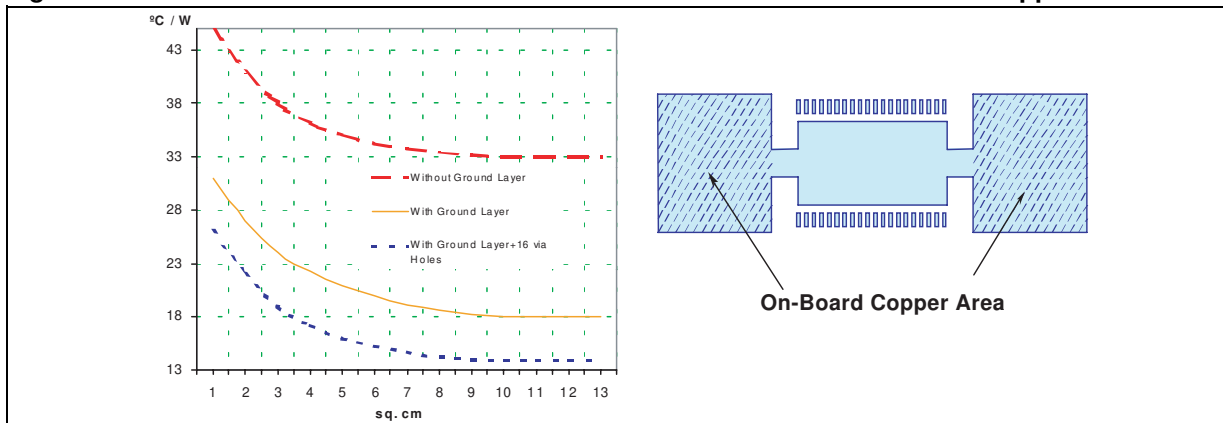


Figure 19. PowerDIP20 Junction-Ambient thermal resistance versus on-board copper area.

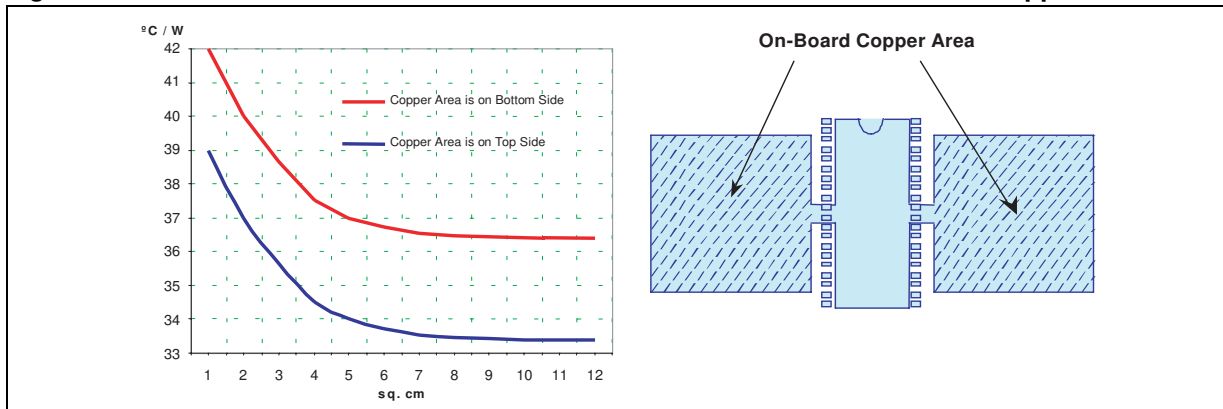


Figure 20. SO20 Junction-Ambient thermal resistance versus on-board copper area.

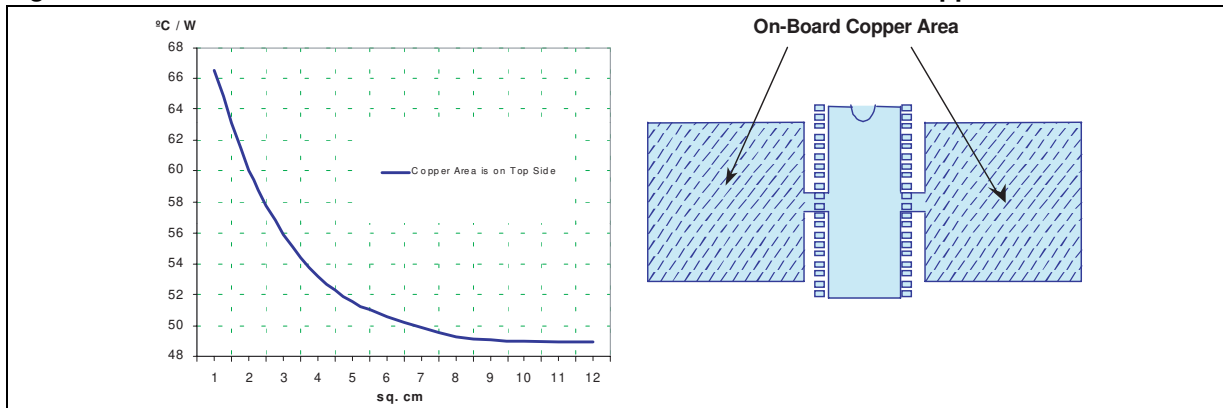


Figure 21. Typical Quiescent Current vs. Supply Voltage

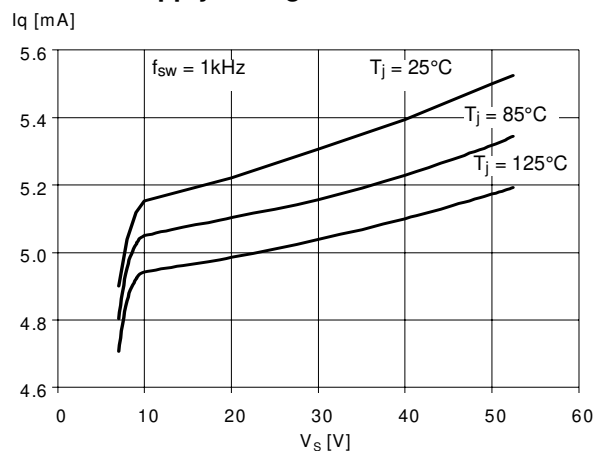


Figure 24. Typical High-Side $R_{DS(ON)}$ vs. Supply Voltage

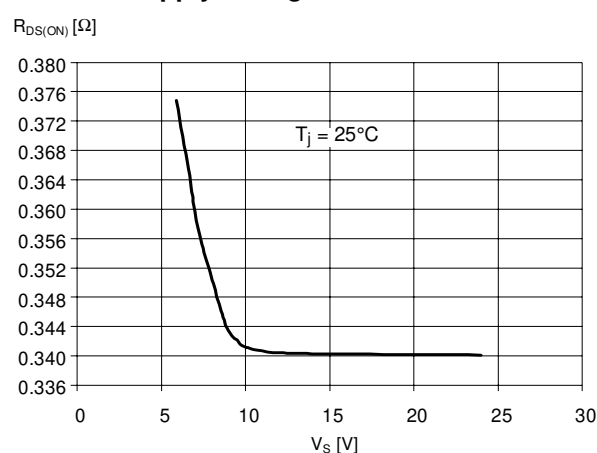


Figure 22. Normalized Typical Quiescent Current vs. Switching Frequency

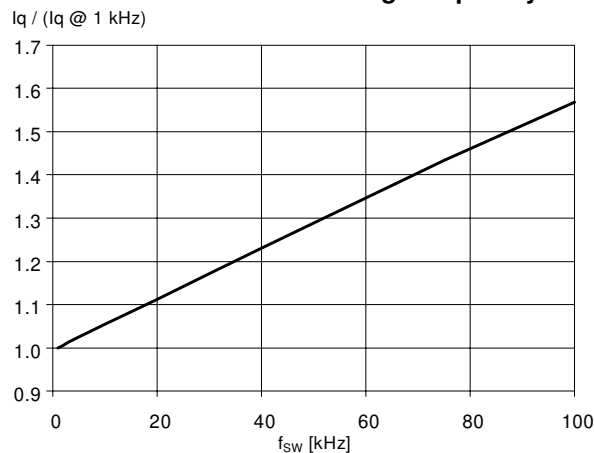


Figure 25. Normalized $R_{DS(ON)}$ vs. Junction Temperature (typical value)

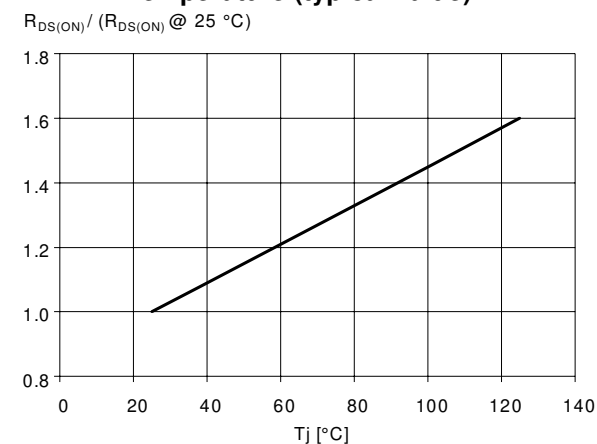


Figure 23. Typical Low-Side $R_{DS(ON)}$ vs. Supply Voltage

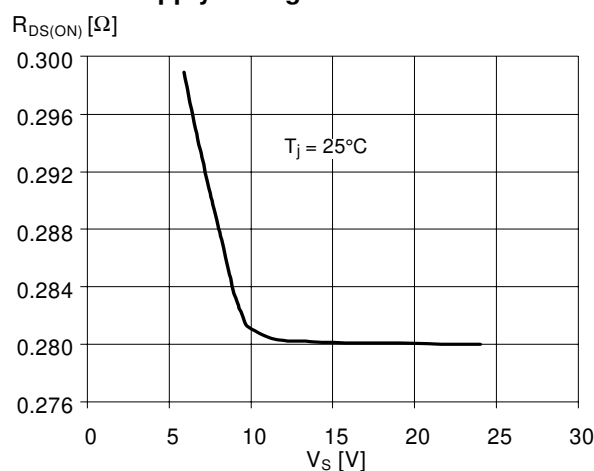
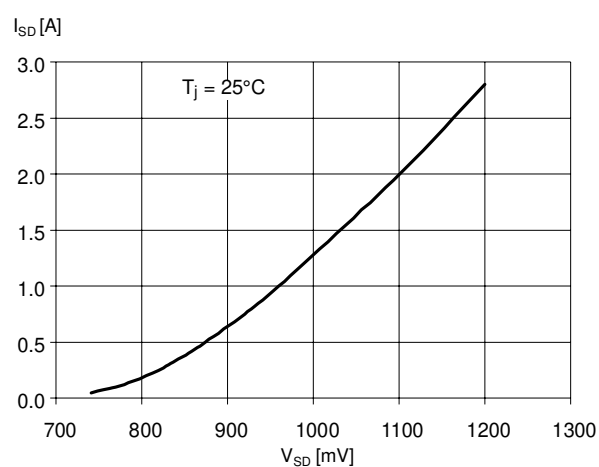


Figure 26. Typical Drain-Source Diode Forward ON Characteristic

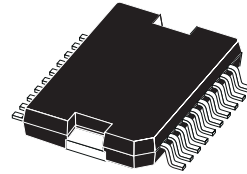


| DIM. | mm | | | inch | | |
|--------|-----------|-------|------|-------|-------|-------|
| | MIN. | TYP. | MAX. | MIN. | TYP. | MAX. |
| A | | | 3.6 | | | 0.142 |
| a1 | 0.1 | | 0.3 | 0.004 | | 0.012 |
| a2 | | | 3.3 | | | 0.130 |
| a3 | 0 | | 0.1 | 0.000 | | 0.004 |
| b | 0.4 | | 0.53 | 0.016 | | 0.021 |
| c | 0.23 | | 0.32 | 0.009 | | 0.013 |
| D (1) | 15.8 | | 16 | 0.622 | | 0.630 |
| D1 | 9.4 | | 9.8 | 0.370 | | 0.386 |
| E | 13.9 | | 14.5 | 0.547 | | 0.570 |
| e | | 1.27 | | | 0.050 | |
| e3 | | 11.43 | | | 0.450 | |
| E1 (1) | 10.9 | | 11.1 | 0.429 | | 0.437 |
| E2 | | | 2.9 | | | 0.114 |
| E3 | 5.8 | | 6.2 | 0.228 | | 0.244 |
| G | 0 | | 0.1 | 0.000 | | 0.004 |
| H | 15.5 | | 15.9 | 0.610 | | 0.626 |
| h | | | 1.1 | | | 0.043 |
| L | 0.8 | | 1.1 | 0.031 | | 0.043 |
| N | 8° (typ.) | | | | | |
| S | 8° (max.) | | | | | |
| T | | 10 | | | 0.394 | |

(1) "D and E1" do not include mold flash or protusions.
 - Mold flash or protusions shall not exceed 0.15mm (0.006")
 - Critical dimensions: "E", "G" and "a3".

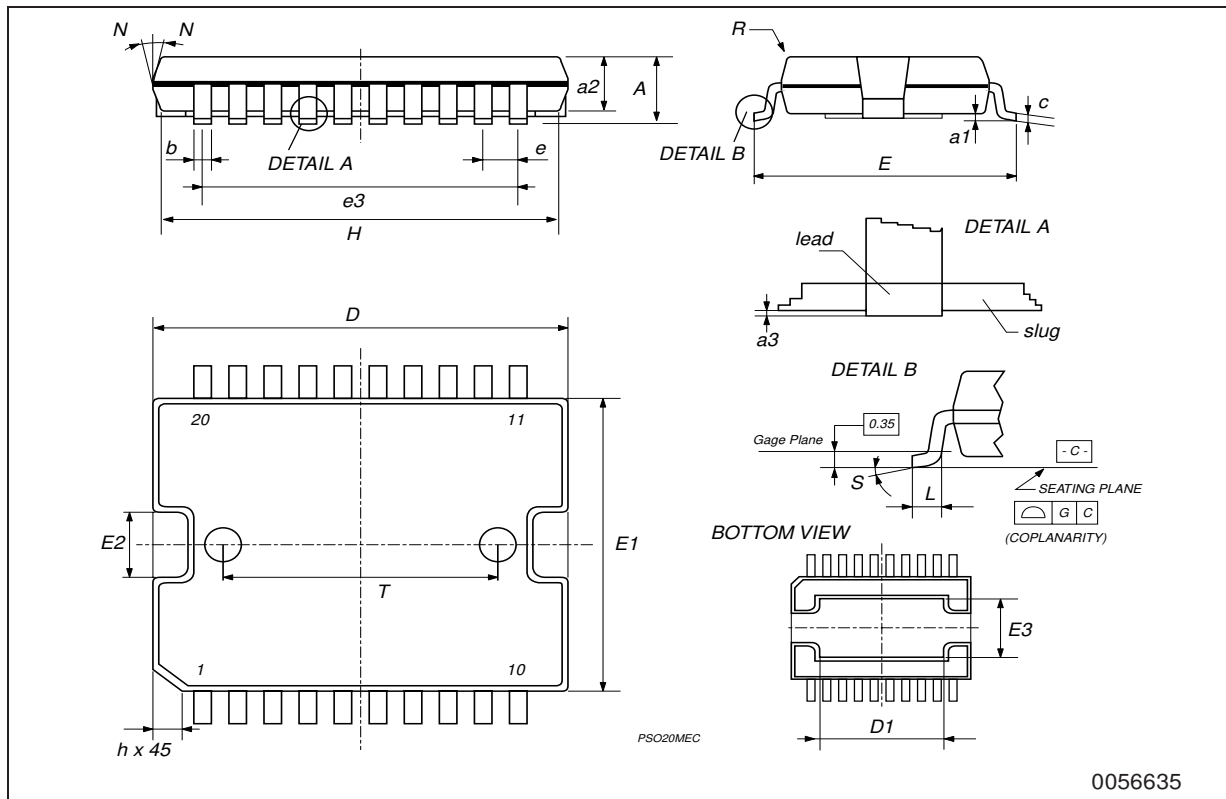
OUTLINE AND MECHANICAL DATA

Weight: 1.9gr



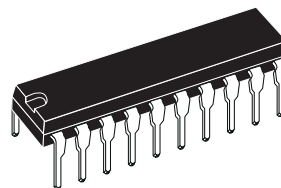
JEDEC MO-166

PowerSO20

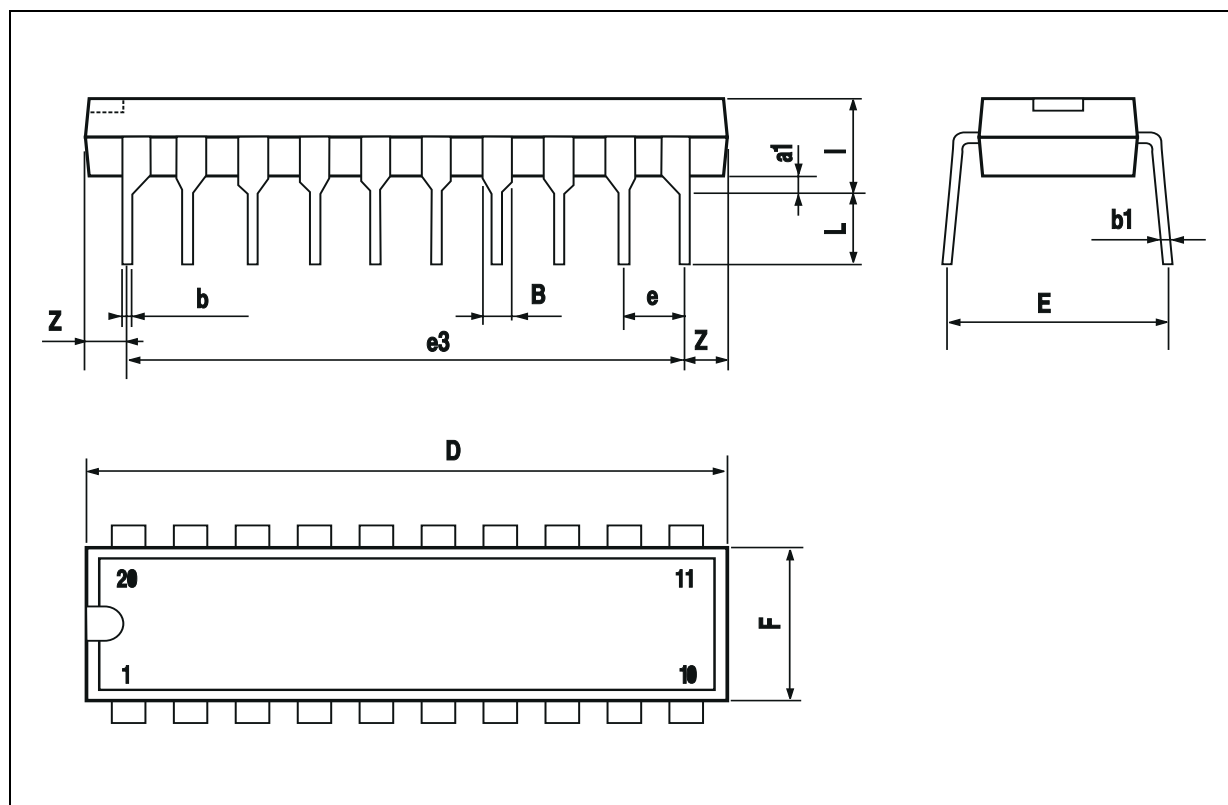


| DIM. | mm | | | inch | | |
|------|------|-------|-------|-------|-------|-------|
| | MIN. | TYP. | MAX. | MIN. | TYP. | MAX. |
| a1 | 0.51 | | | 0.020 | | |
| B | 0.85 | | 1.40 | 0.033 | | 0.055 |
| b | | 0.50 | | | 0.020 | |
| b1 | 0.38 | | 0.50 | 0.015 | | 0.020 |
| D | | | 24.80 | | | 0.976 |
| E | | 8.80 | | | 0.346 | |
| e | | 2.54 | | | 0.100 | |
| e3 | | 22.86 | | | 0.900 | |
| F | | | 7.10 | | | 0.280 |
| I | | | 5.10 | | | 0.201 |
| L | | 3.30 | | | 0.130 | |
| Z | | | 1.27 | | | 0.050 |

OUTLINE AND MECHANICAL DATA

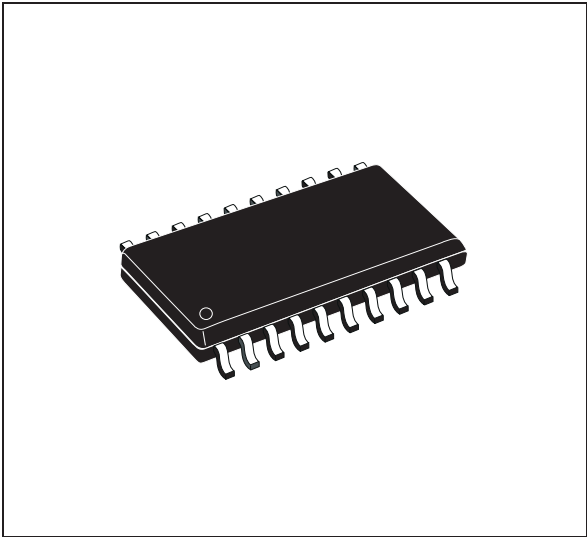


Powerdip 20

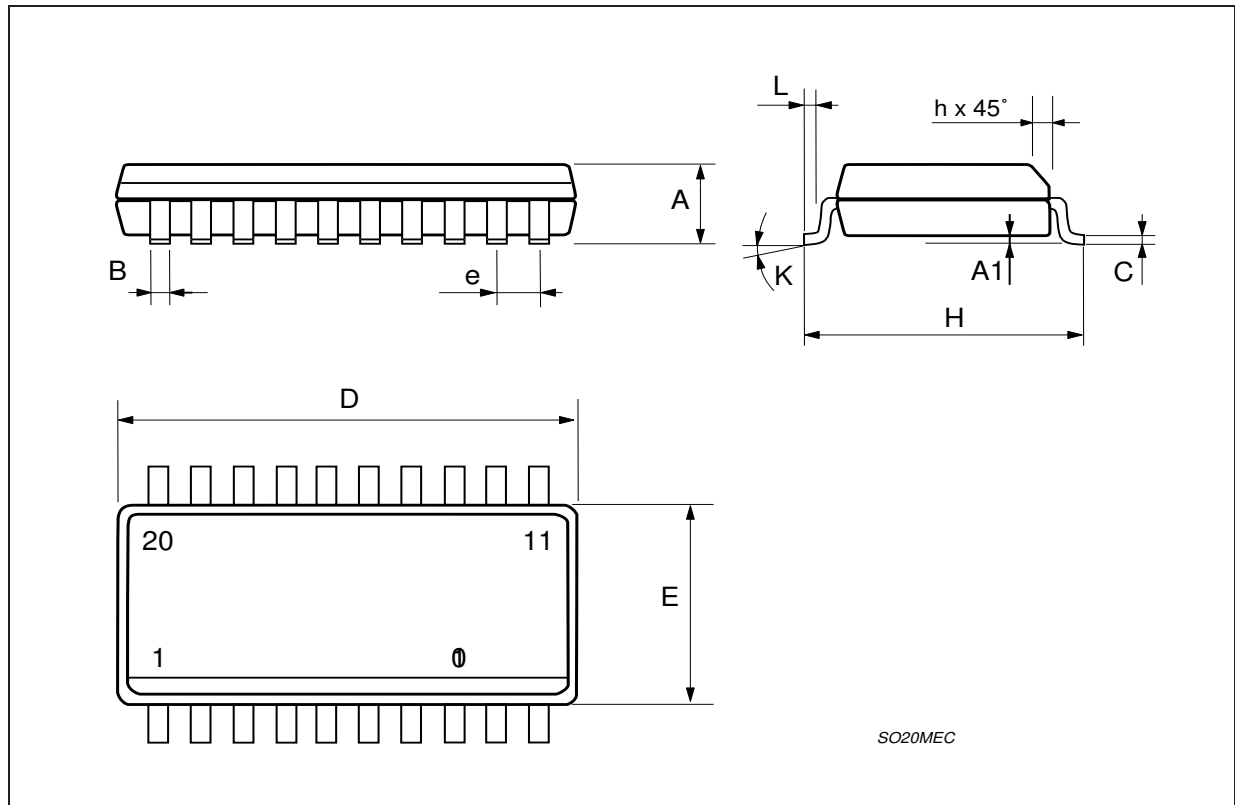


| DIM. | mm | | | inch | | |
|------|--------------------|------|-------|-------|-------|-------|
| | MIN. | TYP. | MAX. | MIN. | TYP. | MAX. |
| A | 2.35 | | 2.65 | 0.093 | | 0.104 |
| A1 | 0.1 | | 0.3 | 0.004 | | 0.012 |
| B | 0.33 | | 0.51 | 0.013 | | 0.020 |
| C | 0.23 | | 0.32 | 0.009 | | 0.013 |
| D | 12.6 | | 13 | 0.496 | | 0.512 |
| E | 7.4 | | 7.6 | 0.291 | | 0.299 |
| e | | 1.27 | | | 0.050 | |
| H | 10 | | 10.65 | 0.394 | | 0.419 |
| h | 0.25 | | 0.75 | 0.010 | | 0.030 |
| L | 0.4 | | 1.27 | 0.016 | | 0.050 |
| K | 0° (min.)8° (max.) | | | | | |

OUTLINE AND MECHANICAL DATA



SO20



Information furnished is believed to be accurate and reliable. However, STMicroelectronics assumes no responsibility for the consequences of use of such information nor for any infringement of patents or other rights of third parties which may result from its use. No license is granted by implication or otherwise under any patent or patent rights of STMicroelectronics. Specifications mentioned in this publication are subject to change without notice. This publication supersedes and replaces all information previously supplied. STMicroelectronics products are not authorized for use as critical components in life support devices or systems without express written approval of STMicroelectronics.

The ST logo is a registered trademark of STMicroelectronics.
All other names are the property of their respective owners

© 2003 STMicroelectronics - All rights reserved

STMicroelectronics GROUP OF COMPANIES

Australia - Belgium - Brazil - Canada - China - Czech Republic - Finland - France - Germany - Hong Kong - India - Israel - Italy - Japan -
Malaysia - Malta - Morocco - Singapore - Spain - Sweden - Switzerland - United Kingdom - United States
www.st.com

