



Chipsmall Limited consists of a professional team with an average of over 10 year of expertise in the distribution of electronic components. Based in Hongkong, we have already established firm and mutual-benefit business relationships with customers from,Europe,America and south Asia,supplying obsolete and hard-to-find components to meet their specific needs.

With the principle of “Quality Parts,Customers Priority,Honest Operation,and Considerate Service”,our business mainly focus on the distribution of electronic components. Line cards we deal with include Microchip,ALPS,ROHM,Xilinx,Pulse,ON,Everlight and Freescale. Main products comprise IC,Modules,Potentiometer,IC Socket,Relay,Connector.Our parts cover such applications as commercial,industrial, and automotives areas.

We are looking forward to setting up business relationship with you and hope to provide you with the best service and solution. Let us make a better world for our industry!



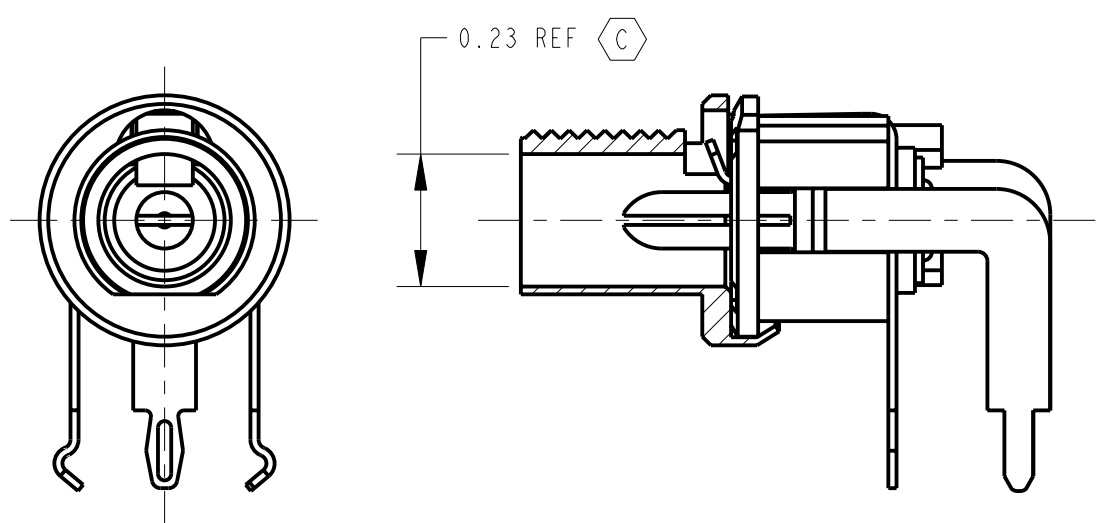
Contact us

Tel: +86-755-8981 8866 Fax: +86-755-8427 6832

Email & Skype: info@chipsmall.com Web: www.chipsmall.com

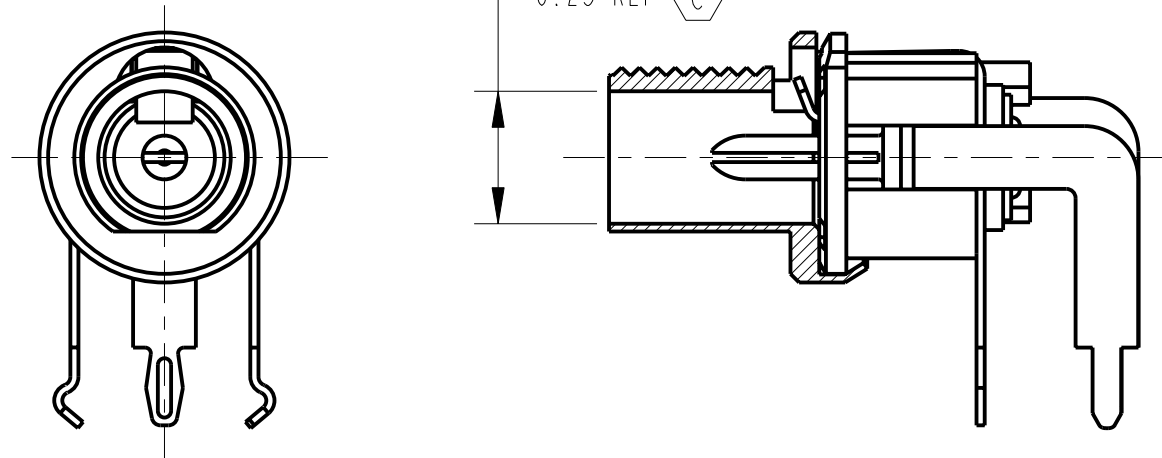
Address: A1208, Overseas Decoration Building, #122 Zhenhua RD., Futian, Shenzhen, China





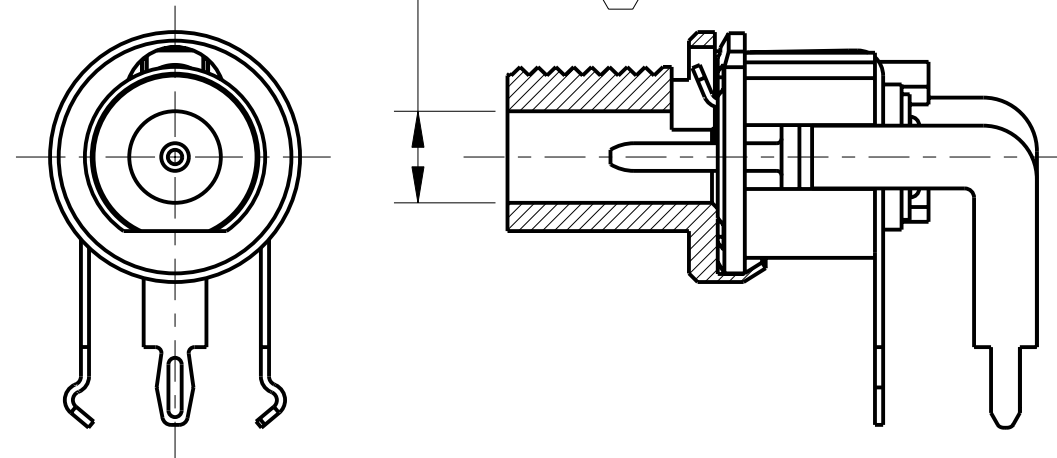
L712RA

CENTER PIN \varnothing 0.098
SCALE 3:1



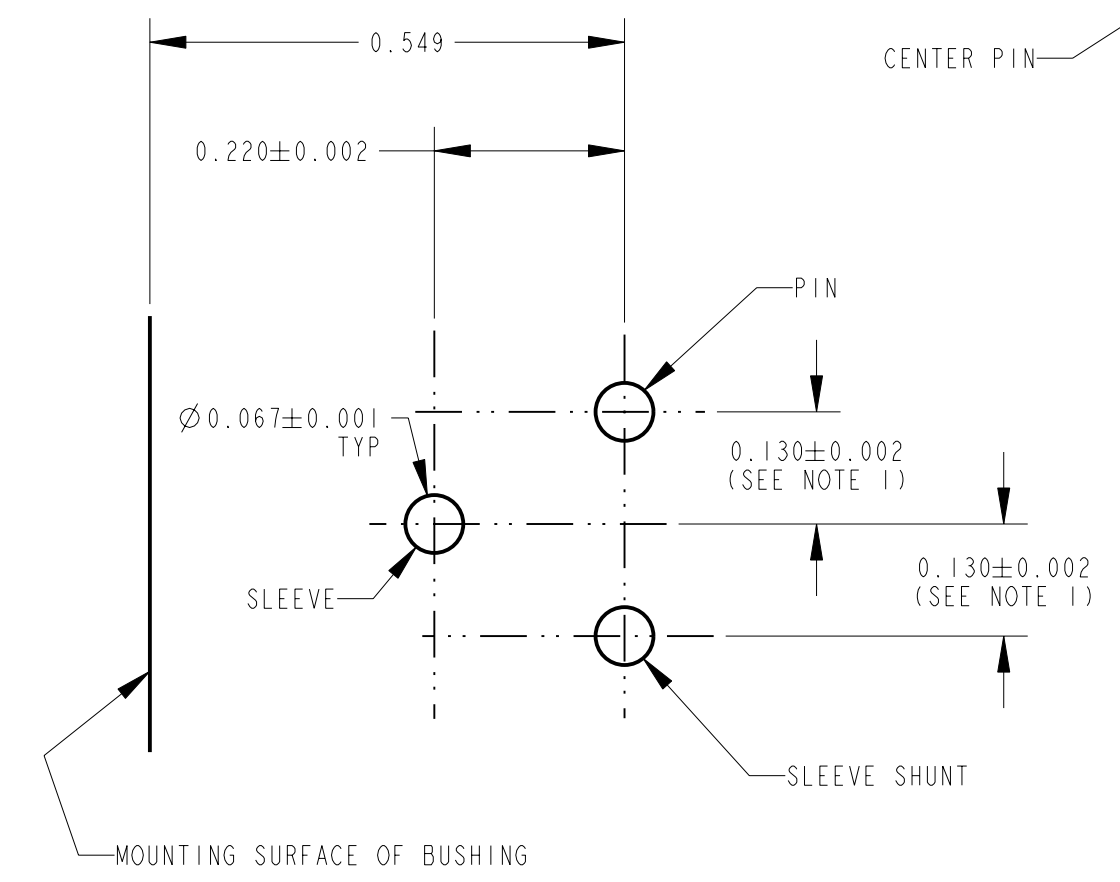
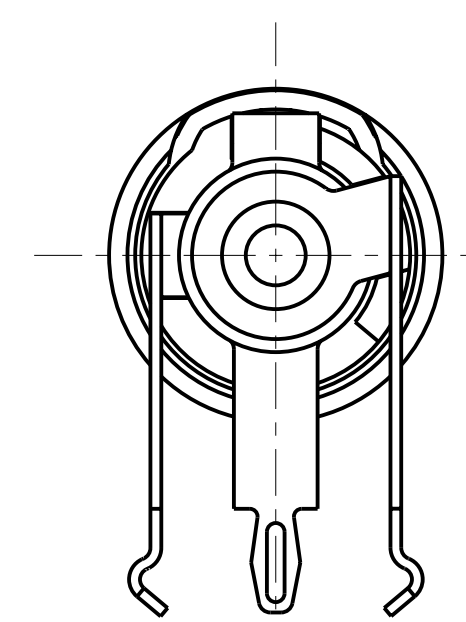
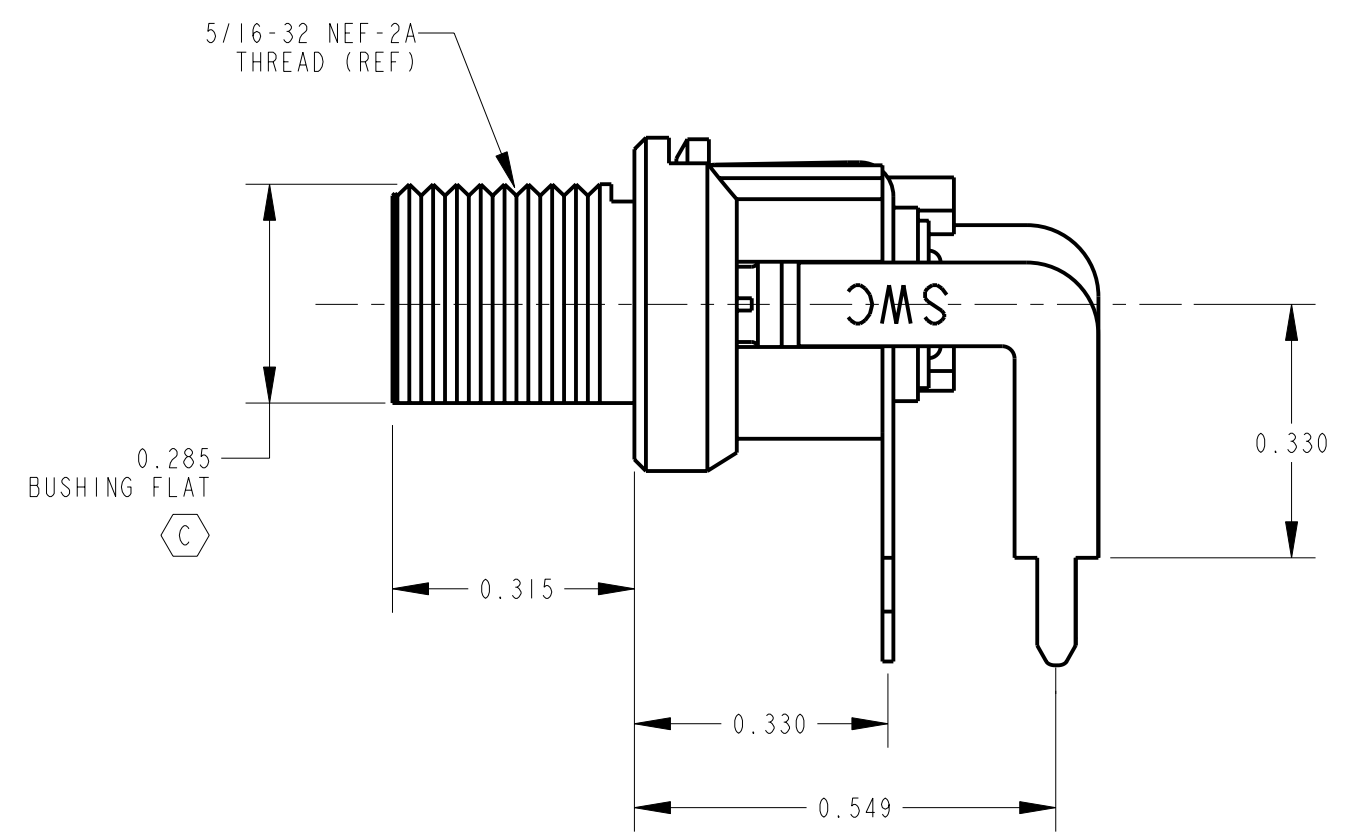
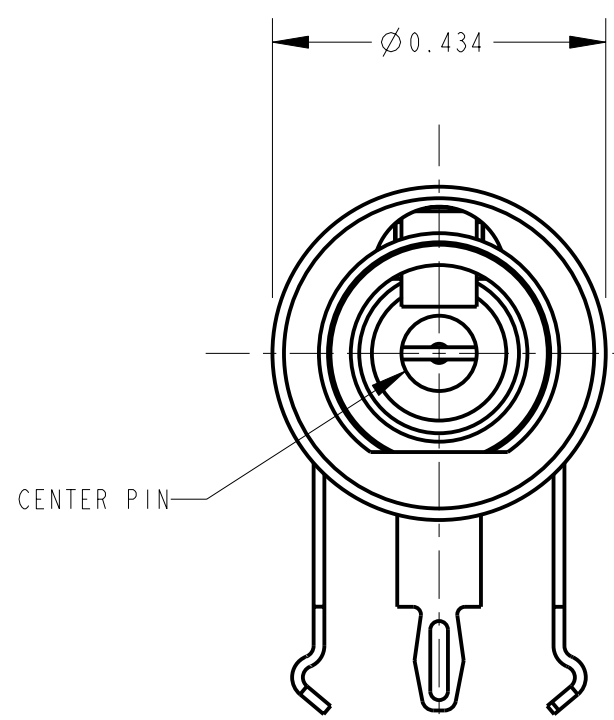
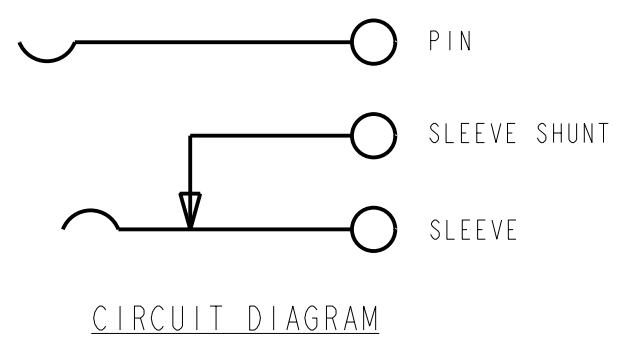
L722RA

CENTER PIN \varnothing 0.076
SCALE 3:1



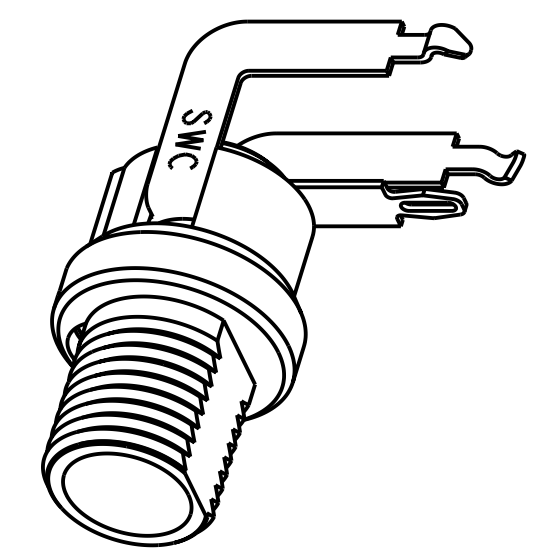
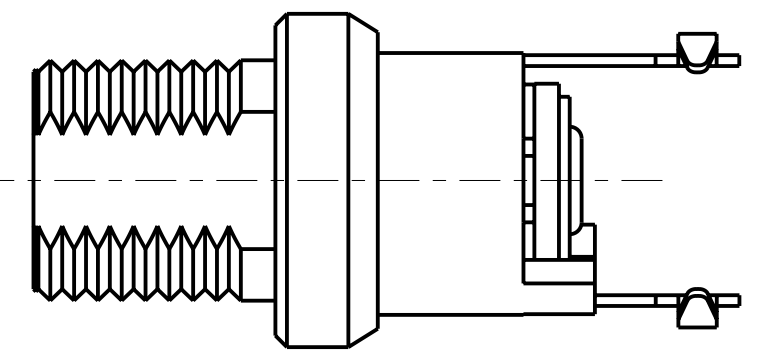
L732RA

CENTER PIN \varnothing 0.048
SCALE 3:1



RECOMMENDED PANEL LAYOUT
(COMPONENT SIDE)

- NOTE:
- FOR HAND INSERTION USE 0.130,
FOR AUTOMATED INSERTION USE 0.135.
 - WASHER AND HEX NUT SHIPPED UNASSEMBLED.
 - MATERIALS:
MOUNTING BUSHING - COPPER ALLOY, NICKEL PLATED
HOUSING - THERMOPLASTIC, BLACK
PIN, SPRING AND TERMINALS - COPPER ALLOY, SILVER PLATED
INSULATORS - PHENOLIC
HARDWARE (NOT SHOWN)
HEX NUT - COPPER ALLOY, NICKEL PLATED
FLAT WASHER - STEEL, NICKEL PLATED
 - THESE PRODUCTS ARE RoHS COMPLIANT.



CUSTOMER DRAWING

REV	ECO NUMBER	DATE	BY	APVD
C	26341	2-13-09	TJK	TJK
B	22992	9-1-99	JL	DK
A	RELEASE TO PROD. ECO #22661	3-4-99	MM	JF

★ STAR SYMBOL DENOTES CRITICAL DIMENSION

UNLESS OTHERWISE SPECIFIED

- ALL DIMENSIONS IN INCHES
- TWO PLACE DECIMALS \pm 0.01
- THREE PLACE DECIMALS \pm 0.005
- ANGLES \pm 1°
- ALL DIA. CONCENTRIC WITHIN 0.005 T.I.R.
- FEATURES ON THE SAME CENTERLINE
MUST BE ALIGNED WITHIN \pm 0.002
- REMOVE ALL BURRS

DO NOT SCALE DRAWING

THIS DRAWING DESCRIBES A DESIGN CONSIDERED PROPRIETARY IN NATURE, DEVELOPED AND MANUFACTURED BY SWITCHCRAFT INC. AND IS RELEASED ON A CONFIDENTIAL BASIS FOR IDENTIFICATION PURPOSES ONLY.				
SIZE	WIDTH	MULT	LBS/M	TEMPER
FINISH		MATERIAL		
SPEC No.		SPEC No.		
FIRST USED ON		SCALE		
		3:1		
DATE DRAWN	BY	CHKD	APVD	
4-MAR-99	MM	3-4-99	JF	
NAME				REV
LONG BUSHING, RIGHT ANGLE POWER JACK				C

Switchcraft

SHEET | OF |
PART No. L7_RA_SERIES