



Chipsmall Limited consists of a professional team with an average of over 10 year of expertise in the distribution of electronic components. Based in Hongkong, we have already established firm and mutual-benefit business relationships with customers from,Europe,America and south Asia,supplying obsolete and hard-to-find components to meet their specific needs.

With the principle of "Quality Parts,Customers Priority,Honest Operation,and Considerate Service",our business mainly focus on the distribution of electronic components. Line cards we deal with include Microchip,ALPS,ROHM,Xilinx,Pulse,ON,Everlight and Freescale. Main products comprise IC,Modules,Potentiometer,IC Socket,Relay,Connector.Our parts cover such applications as commercial,industrial, and automotives areas.

We are looking forward to setting up business relationship with you and hope to provide you with the best service and solution. Let us make a better world for our industry!



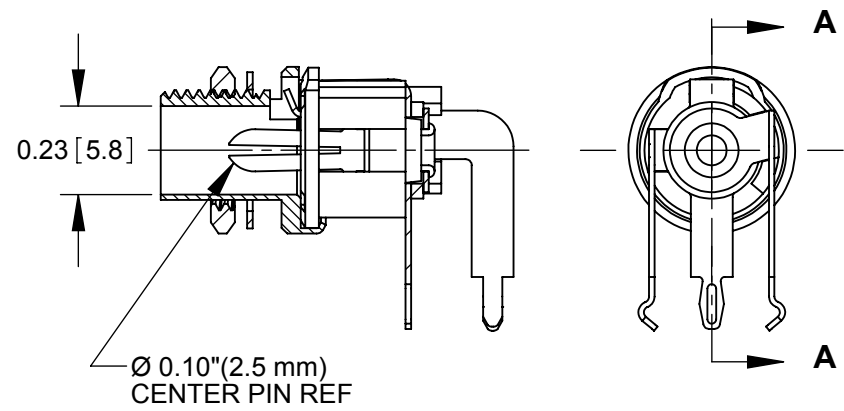
## Contact us

Tel: +86-755-8981 8866 Fax: +86-755-8427 6832

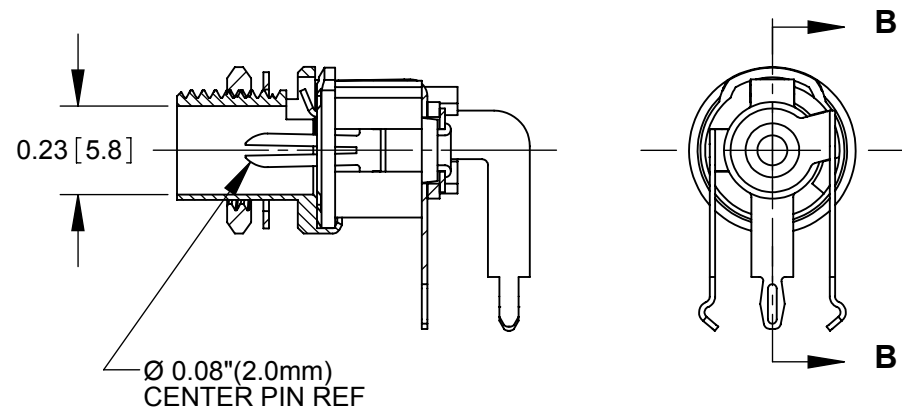
Email & Skype: info@chipsmall.com Web: www.chipsmall.com

Address: A1208, Overseas Decoration Building, #122 Zhenhua RD., Futian, Shenzhen, China

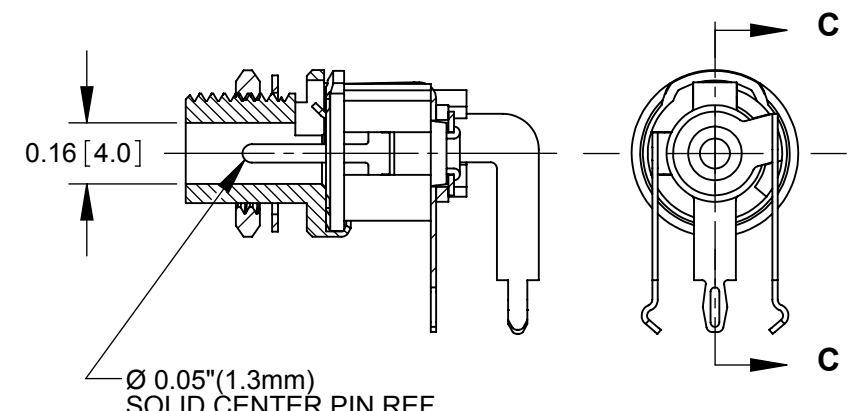




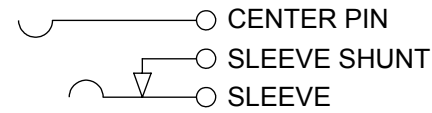
**L712RAH**



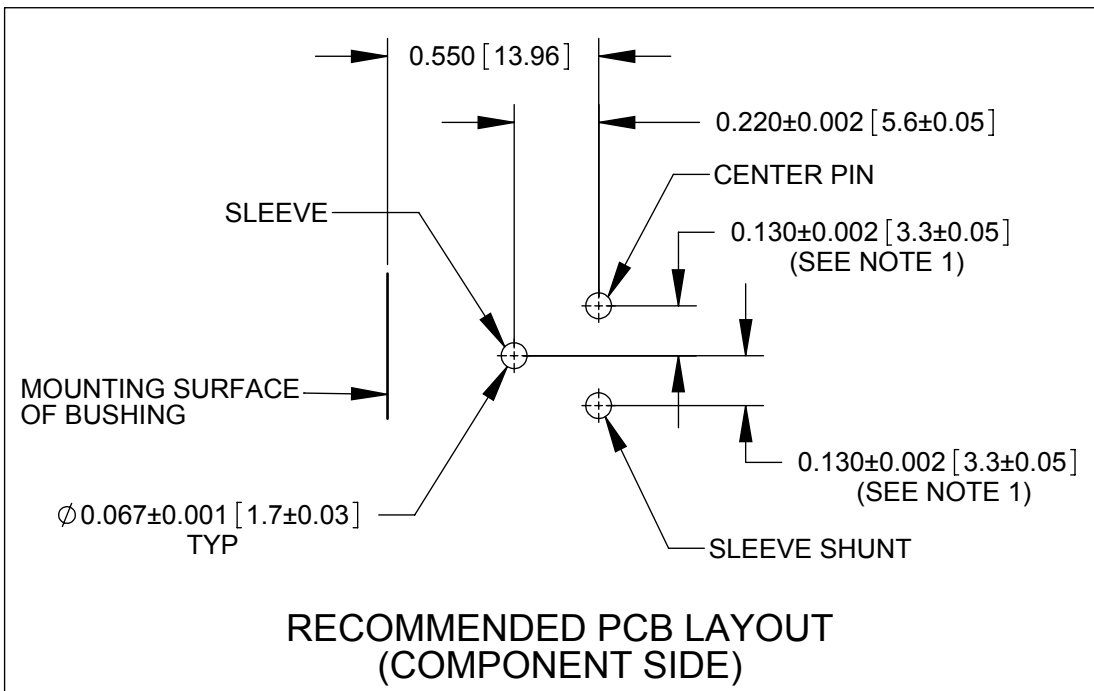
**L722RAH**



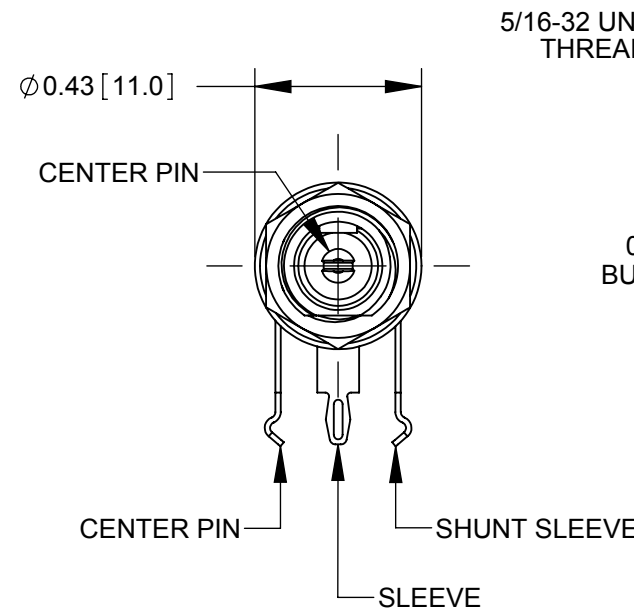
**L732RAH**



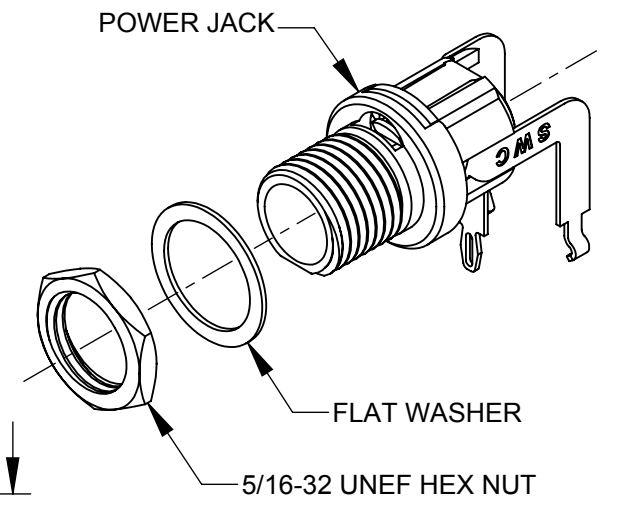
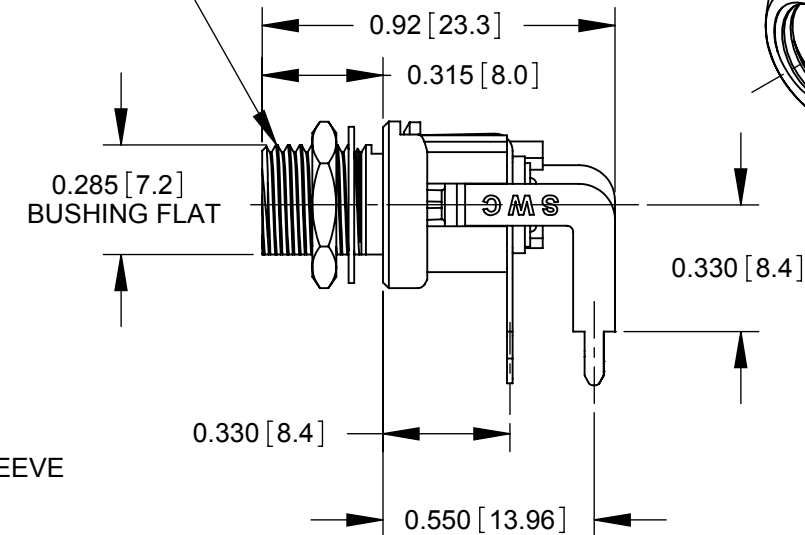
**SCHEMATIC**



**RECOMMENDED PCB LAYOUT  
(COMPONENT SIDE)**



5/16-32 UNEF 2A  
THREAD REF



**NOTES:**

- FOR HAND INSERTION USE SPACING 0.130 [3.30]  
FOR AUTOMATED INSERTION USE SPACING 0.135 [3.43]
- DIMENSIONS SHOWN FOR REFERENCE ONLY.
- HEX NUT AND FLAT WASHER SUPPLIED UNASSEMBLED.
- MATERIAL:**  
HOUSING, HEX NUT - COPPER ALLOY, NICKEL PLATED  
INSULATOR HOUSING - THERMOPLASTIC  
TERMINAL INSULATORS - PHENOLIC  
FLAT WASHER - STEEL, NICKEL PLATED  
PIN, SPRING, TERMINALS - COPPER ALLOY, SILVER PLATED
- THESE PRODUCTS ARE RoHS COMPLIANT

**PRELIMINARY**

**CUSTOMER DRAWING**

REV	ECO NUMBER	DATE	BY	APVD
0A	PDR 15004	6/28/16	PNK	SRC
REVISIONS				

UNLESS OTHERWISE SPECIFIED				
1. ALL DIMENSIONS IN INCHES				
- TWO PLACE DECIMALS ±0.02				
- THREE PLACE DECIMALS ±0.005				
DO NOT SCALE DRAWING				

THIS DRAWING DESCRIBES A DESIGN CONSIDERED PROPRIETARY IN NATURE, DEVELOPED AND MANUFACTURED BY SWITCHCRAFT INC. AND IS RELEASED ON A CONFIDENTIAL BASIS FOR IDENTIFICATION PURPOSES ONLY.									
SIZE	WIDTH	MULT	LBS/M	TEMPER					
					FINISH		MATERIAL		
					SPEC No.		SPEC No.		
					FIRST USED ON		SCALE		
							2:1		
DATE DRAWN	BY	CHKD	APVD	<b>Switchcraft</b> <sup>®</sup>					
6/28/16	PNK	PNK	SRC						
					SHEET 1 OF 1		PART No.		
							L712RAH L722RAH L732RAH		
							REV		
							0A		