



Chipsmall Limited consists of a professional team with an average of over 10 year of expertise in the distribution of electronic components. Based in Hongkong, we have already established firm and mutual-benefit business relationships with customers from,Europe,America and south Asia,supplying obsolete and hard-to-find components to meet their specific needs.

With the principle of “Quality Parts,Customers Priority,Honest Operation,and Considerate Service”,our business mainly focus on the distribution of electronic components. Line cards we deal with include Microchip,ALPS,ROHM,Xilinx,Pulse,ON,Everlight and Freescale. Main products comprise IC,Modules,Potentiometer,IC Socket,Relay,Connector.Our parts cover such applications as commercial,industrial, and automotives areas.

We are looking forward to setting up business relationship with you and hope to provide you with the best service and solution. Let us make a better world for our industry!



Contact us

Tel: +86-755-8981 8866 Fax: +86-755-8427 6832

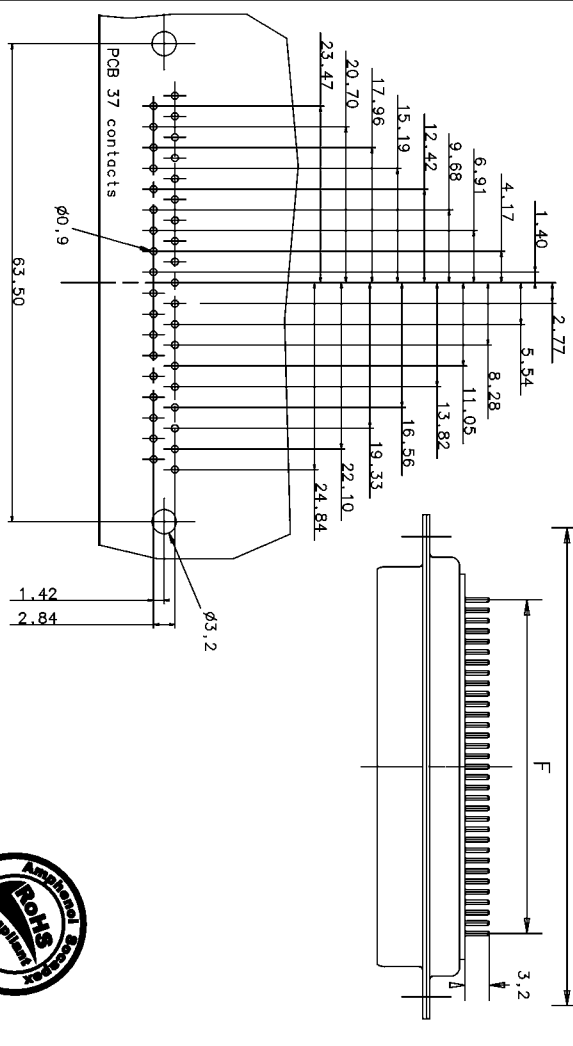
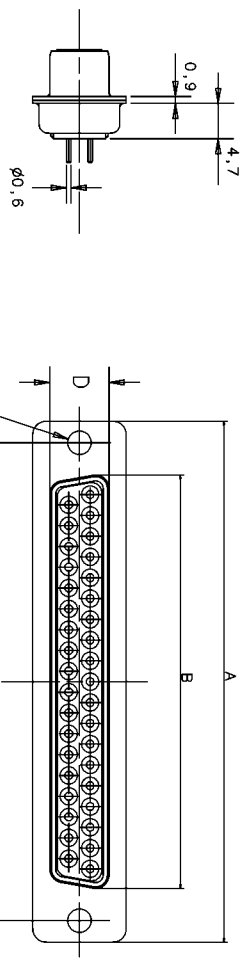
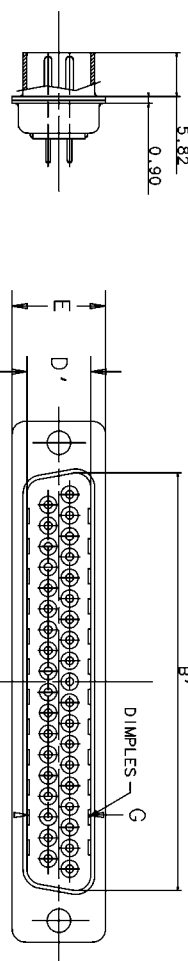
Email & Skype: info@chipsmall.com Web: www.chipsmall.com

Address: A1208, Overseas Decoration Building, #122 Zhenhua RD., Futian, Shenzhen, China



TECHNICAL DATA

'' D '' SUBMINIATURE CONNECTORS



SHELL : Steel.

BODY : Glass filled thermoplastic.
Flame retardant to UL 94 V-0.
Colour : Black.

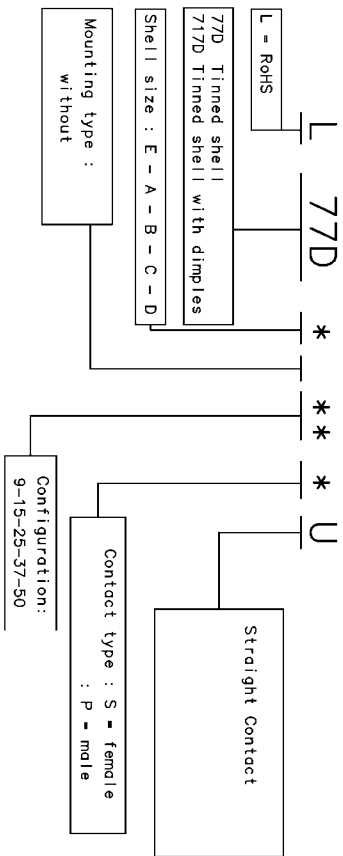
CONTACTS : Material for sockets : bronze.
Material for pins : brass.
Finish of contact mating area : Gold over Nickel.

ELECTRICAL : Voltage rating 300 V eff at 50Hz.
Nominal current 7,5 A.
Contact resistance <math>< 8,5m \text{ Ohms}</math>.
Insulation resistance >5000 M Ohms.

CLIMATIC : Temperature range -55°C up to +85°C
Damp heat 21 days (40°C - 95% RH)
Other climatic specifications in accordance with NF C 93-425

MECHANICAL : Mating and unmating force size

E	30 N max.	3,5 N mini.
A	50 N max.	4,4 N mini.
B	83 N max.	8,0 N mini.
C	123 N max.	11,0 N mini.
D	166 N max.	14,5 N mini.



Foille feuille	A	B'	B	C	D'	D	E	F ±0,05	Pqs	G	*
E	30,43	16,41	17,94	25,12	9,93	8,48	12,93	10,98	2,74	7,62	2x3
A	39,52	24,79	25,32	33,20	9,93	8,48	12,93	19,20	2,74	7,62	2x5
B	53,45	38,25	39,09	46,91	9,93	8,48	12,93	33,12	2,76	7,62	2x8
C	68,94	54,97	55,30	63,37	9,93	8,48	12,93	49,68	2,76	7,62	2x12
D	86,31	82,30	82,88	80,29	10,82	10,33	14,25	44,20	2,76	10,5	2x12

IND. MODIFICATION	DATE	Executif	Approuv
017F	09/01	Valiak	
DESIGNATION			
L * * 7D * * * * U			
Amphenol Socapex			
Usine de Dole			
Echelle 2			
ENDEMBLE			
POSSIBILITE NOTICE-17D			

COMMUNICATION ET UTILISATION INTERDITES SAUF AUTORISATION