



Chipsmall Limited consists of a professional team with an average of over 10 year of expertise in the distribution of electronic components. Based in Hongkong, we have already established firm and mutual-benefit business relationships with customers from,Europe,America and south Asia,supplying obsolete and hard-to-find components to meet their specific needs.

With the principle of “Quality Parts,Customers Priority,Honest Operation,and Considerate Service”,our business mainly focus on the distribution of electronic components. Line cards we deal with include Microchip,ALPS,ROHM,Xilinx,Pulse,ON,Everlight and Freescale. Main products comprise IC,Modules,Potentiometer,IC Socket,Relay,Connector.Our parts cover such applications as commercial,industrial, and automotives areas.

We are looking forward to setting up business relationship with you and hope to provide you with the best service and solution. Let us make a better world for our industry!



Contact us

Tel: +86-755-8981 8866 Fax: +86-755-8427 6832

Email & Skype: info@chipsmall.com Web: www.chipsmall.com

Address: A1208, Overseas Decoration Building, #122 Zhenhua RD., Futian, Shenzhen, China



TECHNICAL DATA

'' D '' SUBMINIATURE CONNECTORS

- SHELL** Steel .
finish : tinned
- BODY** Glass filled thermoplastic polyamide
Flame retardant to UL 94 V-0 .
(resist to short terme temperature 260°C)
Colour : black
- BRACKETS** Steel, Tinned
- ELECTRICAL** Voltage rating 300 V Rms to 50Hz .
Nominal current 40 A (size 8)
Withstanding voltage >1000 V Rms to 50 Hz
Contact resistance <5m Ohms .
Insulator resistance >5000 M Ohms.
- CLIMATIC** Temperature range -55°C + 125°C .
Damp heart 56 days 40°C - 95 % RH .
Other climatic specifications in accordance
with NF C 93-425, sheet HE507
- MECHANICAL** Insertion force per contact 1,2N < F < 2,5 N (size 20)
Extraction force per contact 0,4 N mini (size 20)
Mating and unmating force size A 80N maxi 4,5N mini
- MARKING** Amphenol - ... (serie number)
Commercial reference
Manufacturing date

L 717TW A 3W3 P

L - RoHS

77TW Tinned Shell
717TW Tinned shell with dimples
Monobloc dielectric

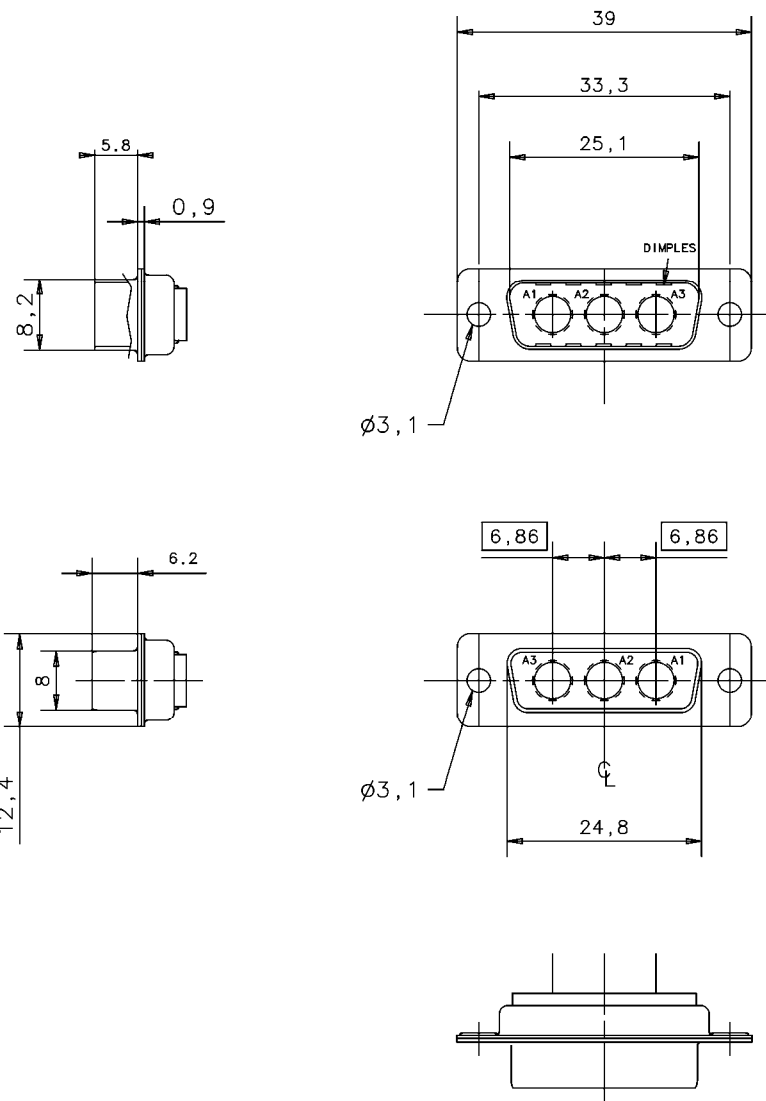
Shell size : A

Mounting type

Configuration :
3 cavities size 8

Options:

Contact type : P = male
: S = female



				CLIENT	Amphenol Socapex	
				N° SERIE	Sub-D	Usine de Dole
A	<input checked="" type="checkbox"/>	CREATION PLAN	Vallois	13/12 05	DOSSIER notice-TW	
IND.		MODIFICATIONS	EXEC.	DATE	Approb	ECH. 1.5
N°	REFERENCE COMMERCIALE :					
DATE DU TIRAGE	L717TW A3W3P					

PLAN NOTICE