



Chipsmall Limited consists of a professional team with an average of over 10 year of expertise in the distribution of electronic components. Based in Hongkong, we have already established firm and mutual-benefit business relationships with customers from,Europe,America and south Asia,supplying obsolete and hard-to-find components to meet their specific needs.

With the principle of “Quality Parts,Customers Priority,Honest Operation,and Considerate Service”,our business mainly focus on the distribution of electronic components. Line cards we deal with include Microchip,ALPS,ROHM,Xilinx,Pulse,ON,Everlight and Freescale. Main products comprise IC,Modules,Potentiometer,IC Socket,Relay,Connector.Our parts cover such applications as commercial,industrial, and automotives areas.

We are looking forward to setting up business relationship with you and hope to provide you with the best service and solution. Let us make a better world for our industry!



Contact us

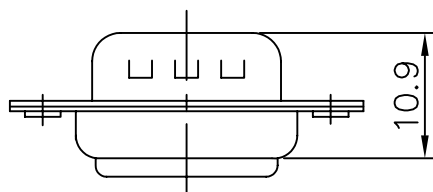
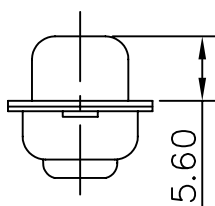
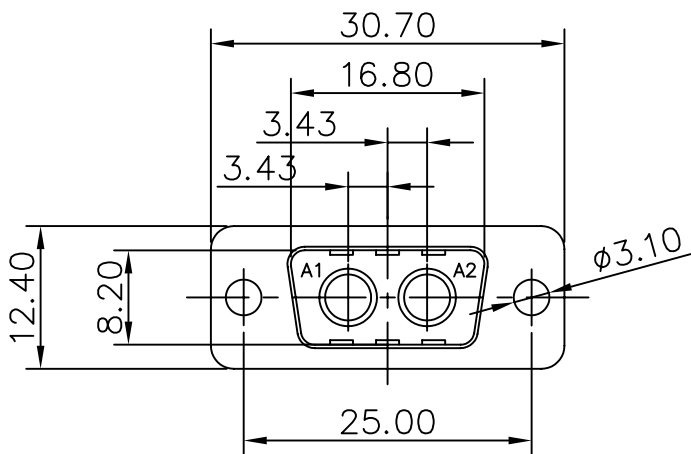
Tel: +86-755-8981 8866 Fax: +86-755-8427 6832

Email & Skype: info@chipsmall.com Web: www.chipsmall.com

Address: A1208, Overseas Decoration Building, #122 Zhenhua RD., Futian, Shenzhen, China



This document is the property of Amphenol Corporation and is delivered on the express condition that it is not to be disclosed, reproduced or used, in whole or in part, for manufacture or sale by anyone other than Amphenol Corporation without its prior consent, & that no right is granted to disclose or to use any information in this document.



Customer Drawing

REVISIONS

SYM	ECN	DESCRIPTION	DATE	APPROVED
1		Release new drawing	10/24/07	IP

D-SUB TECHNICAL DATA

SHELL: Steel 2.5um(100u") min tin over 1.25um(50u") min nickel
 BODY: Glass filled thermoplastic.
 Flame retardant to UL94 V-0 Color Black
 ELECTRICAL: Voltage rating: 300 V RMS at 50 Hz
 Withstanding Voltage >1000 V RMS at 50 Hz for one minute
 Insulation resistance >5000 M Ohms
 CLIMATIC: Temperature range -55 °C up to 105°C
 Damp heat 56 days(40 °C-95% HR)
 MARKING: Amphenol-...(Series No.)
 Manufacturing date
 Commercial reference

PRODUCT CODE

L 717TW E 2W2 P

RoHS Compliance

717TW: Tin plated shell with dimples

Shell Size :E

Contact type: P=male

Configuration: 2W2

UNLESS OTHERWISE SPECIFIED TOLERANCES		APPROVAL		DATE
U.S.	METRIC	DRAWN	Christine	05/06/08
.X +/-	0.50	CHECKED	Mk.wang	05/06/08
.XX +/-	0.30	CHECKED		
.XXX +/-	0.20			
FRACTIONS +/-				
ANGLES +/-	5'			
FOR MATERIALS AND FINISHES SEE NOTES		DRAWING FILE : drawing_Dsub/CL717TWE2W2P		
REMOVE SHARP EDGES		ANGLE OF PROJECTION		
DIMENSIONS				
U.S.	INCHES			
METRIC	MM			

Amphenol®

TITLE Hybrid connector, TW series

SIZE	DRAWING NO.	REV.
A4	C L717TWE2W2P	1
SCALE	NONE	SHEET 1 OF 1