



Chipsmall Limited consists of a professional team with an average of over 10 year of expertise in the distribution of electronic components. Based in Hongkong, we have already established firm and mutual-benefit business relationships with customers from,Europe,America and south Asia,supplying obsolete and hard-to-find components to meet their specific needs.

With the principle of “Quality Parts,Customers Priority,Honest Operation,and Considerate Service”,our business mainly focus on the distribution of electronic components. Line cards we deal with include Microchip,ALPS,ROHM,Xilinx,Pulse,ON,Everlight and Freescale. Main products comprise IC,Modules,Potentiometer,IC Socket,Relay,Connector.Our parts cover such applications as commercial,industrial, and automotives areas.

We are looking forward to setting up business relationship with you and hope to provide you with the best service and solution. Let us make a better world for our industry!



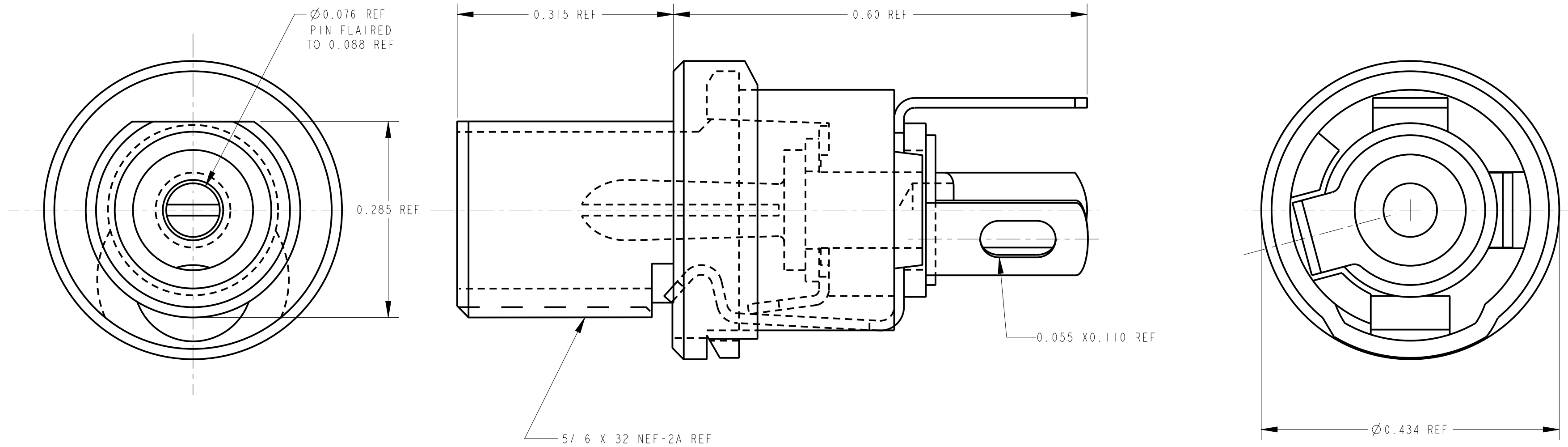
Contact us

Tel: +86-755-8981 8866 Fax: +86-755-8427 6832

Email & Skype: info@chipsmall.com Web: www.chipsmall.com

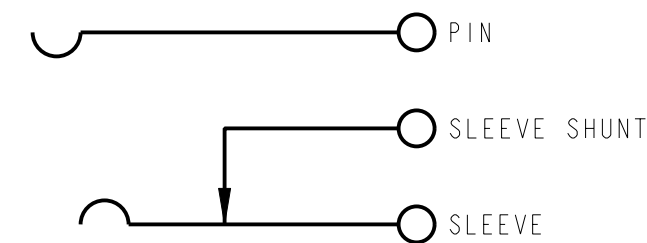
Address: A1208, Overseas Decoration Building, #122 Zhenhua RD., Futian, Shenzhen, China





MATERIAL:

MOUNTING BUSHING: COPPER ALLOY, NICKEL PLATED.
 HOUSING: THERMOPLASTIC, BLACK
 PIN, SPRING AND TERMINALS: COPPER ALLOY, SILVER PLATED.
 INSULATORS: PHENOLIC
 HARDWARE: HEX NUT: COPPER ALLOY, NICKEL PLATED
 FLAT WASHER: STEEL, NICKEL PLATED
 (NOT SHOWN)



CIRCUIT DIAGRAM

CUSTOMER DRAWING

CAD/CAM DWG. NO.
 L722A-CD
 SHEET 1 OF 1

REV	ECO	DATE	BY	APP'D	DESCRIPTION	SIZE	WIDTH	MULT	LBS./M	TEMPER	
G	#22825	6-1-99	JL	JF	★ STAR SYMBOL DENOTES CRITICAL DIMENSION. SEE S/C ENGINEERING STANDARD ES-0001	THIS DRAWING DESCRIBES A DESIGN CONSIDERED PROPRIETARY IN NATURE, DEVELOPED AND MANUFACTURED BY SWITCHCRAFT INC. AND IS RELEASED ON A CONFIDENTIAL BASIS FOR IDENTIFICATION PURPOSE ONLY.					
F	#20055	9-8-95	DA	TAO	UNLESS OTHERWISE SPECIFIED						
E	#20053	9-8-95	DA	TAO	1. ALL DIMENSIONS IN INCHES TWO PLACE DECIMAL ± 0.01 THREE PLACE DECIMAL ± 0.005 ANGLES $\pm 0.5^\circ$	FINISH		MATERIAL			
D	#20051	9-8-95	DA	TAO	ALL DIA'S CONCENTRIC WITHIN .005 T.I.R.	SPEC. NO.		SPEC. NO.			
C	#20046	9-8-95	DA	TAO	2. REMOVE ALL BURRS	FIRST USED ON		SCALE			
H	#22992	9-1-99	JL	DK	3. MAKE NO DIMENSIONAL ALLOWANCES FOR APPLIED FINISHES, I.E., PLATING, PAINTING, ETC.	DATE DRAWN	BY	CHK'D	APP'D	Switchcraft®	
ISSUE	CHANGE NO.	DATE	BY	APP'D	2-18-94	ES	JLD 2-18-94	GHJ 2-18-94			
REVISIONS					DO NOT SCALE DRAWING	NAME				PART NO.	ISSUE
						POWER JAX				L722A	H