



Chipsmall Limited consists of a professional team with an average of over 10 year of expertise in the distribution of electronic components. Based in Hongkong, we have already established firm and mutual-benefit business relationships with customers from,Europe,America and south Asia,supplying obsolete and hard-to-find components to meet their specific needs.

With the principle of "Quality Parts,Customers Priority,Honest Operation,and Considerate Service",our business mainly focus on the distribution of electronic components. Line cards we deal with include Microchip,ALPS,ROHM,Xilinx,Pulse,ON,Everlight and Freescale. Main products comprise IC,Modules,Potentiometer,IC Socket,Relay,Connector.Our parts cover such applications as commercial,industrial, and automotives areas.

We are looking forward to setting up business relationship with you and hope to provide you with the best service and solution. Let us make a better world for our industry!



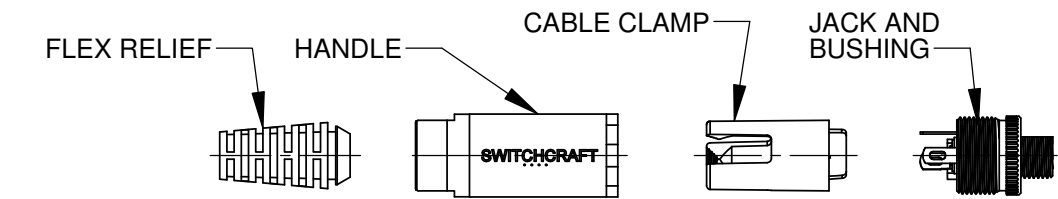
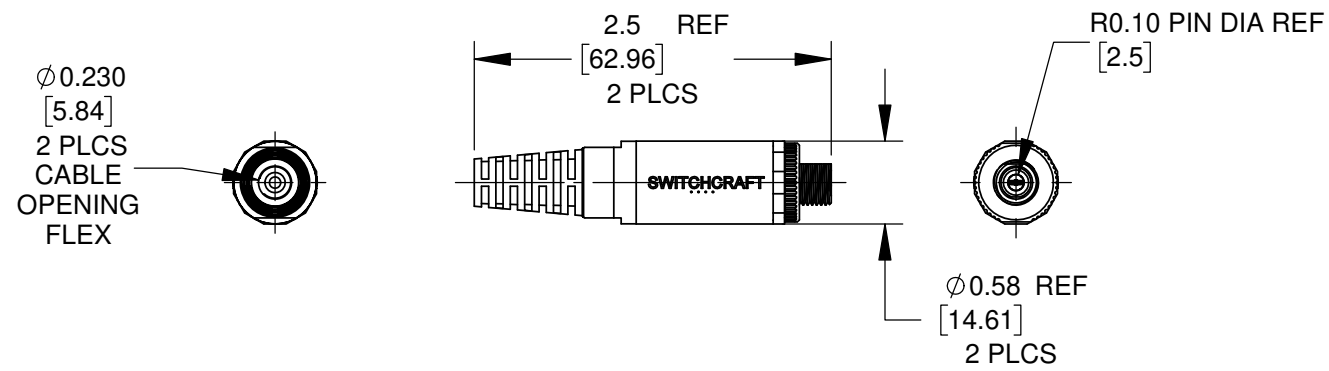
Contact us

Tel: +86-755-8981 8866 Fax: +86-755-8427 6832

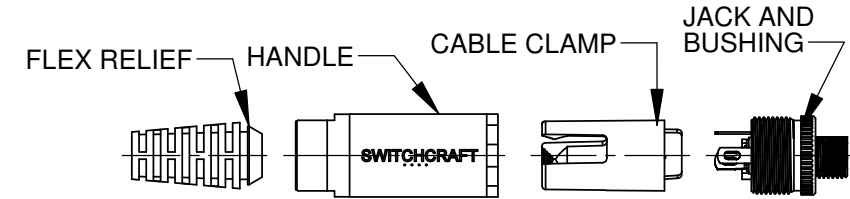
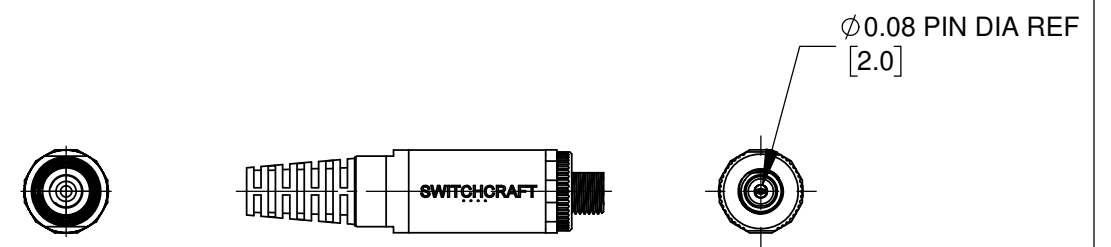
Email & Skype: info@chipsmall.com Web: www.chipsmall.com

Address: A1208, Overseas Decoration Building, #122 Zhenhua RD., Futian, Shenzhen, China

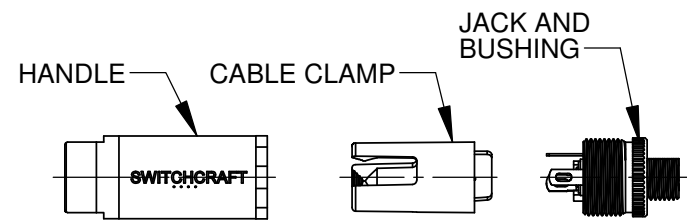
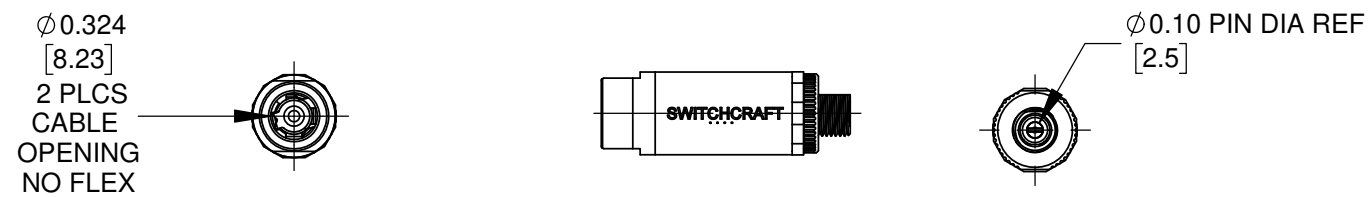




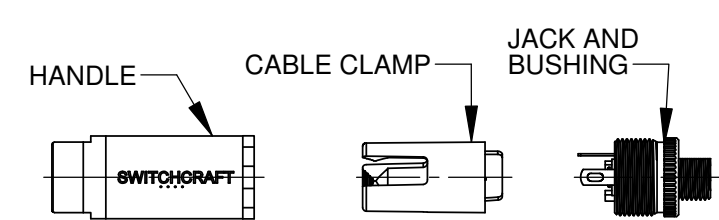
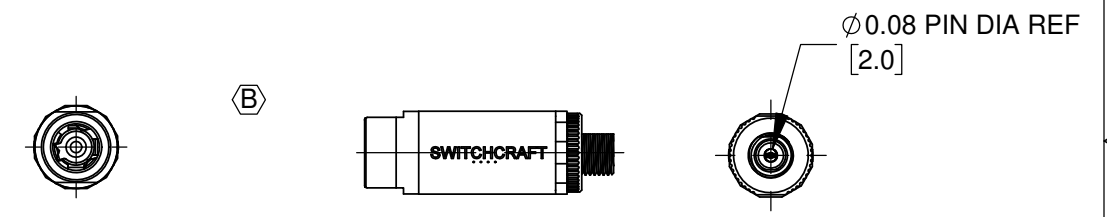
L712ACFL



L722ACFL



L712AC



L722AC

1. MATERIALS:

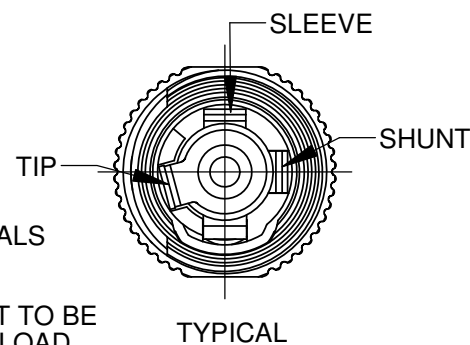
- HANDLE BLACK THERMOPLASTIC
- CABLE CLAMP THERMOPLASTIC
- FLEX RELIEF THERMOPLASTIC ELASTOMER
- BUSHING BLACK THERMOPLASTIC
- POWER JACK SEE POWER JACK FOR MATERIALS AND SPECIFICATIONS

2. THESE PARTS ARE CURRENT CARRY ONLY NOT TO BE USED FOR CONNECT OR DISCONNECT UNDER LOAD.

3. SHIPPED UNASSEMBLED

4. CABLE RANGE FOR FLEX: 0.220 TO 0.250 DIAMETER

5. THESE PARTS ARE RoHS COMPLIANT



TYPICAL

REV	ECO NUMBER	DATE	BY	APVD
B	ECO 27932	8-28-17	SRC	TJK
A	ECO 27926	8-17-17	SRC	TJK
REVISIONS				

UNLESS OTHERWISE SPECIFIED

1. ALL DIMENSIONS IN INCHES [mm]

- TWO PLACE DECIMALS ±0.02 [0.5]
- THREE PLACE DECIMALS ±0.005 [0.13]

DO NOT SCALE DRAWING

THIS DRAWING DESCRIBES A DESIGN CONSIDERED PROPRIETARY IN NATURE, DEVELOPED AND MANUFACTURED BY SWITCHCRAFT INC. AND IS RELEASED ON A CONFIDENTIAL BASIS FOR IDENTIFICATION PURPOSES ONLY.									
SIZE *	WIDTH *	MULT *	LBS/M *	TEMPER *					
FINISH *					MATERIAL *				
SPEC No. *					SPEC No. *				
FIRST USED ON *			SCALE 3:4						
DATE DRAWN	BY	CHKD	APVD						
12-28-16	SRC	SRC	TJK		SHEET 1 OF 1				
NAME					PART No. L712AC-L722AC			REV	
CABLE POWER JACKS					L712ACFL-L722ACFL			B	

CUSTOMER DRAWING