



Chipsmall Limited consists of a professional team with an average of over 10 year of expertise in the distribution of electronic components. Based in Hongkong, we have already established firm and mutual-benefit business relationships with customers from,Europe,America and south Asia,supplying obsolete and hard-to-find components to meet their specific needs.

With the principle of “Quality Parts,Customers Priority,Honest Operation,and Considerate Service”,our business mainly focus on the distribution of electronic components. Line cards we deal with include Microchip,ALPS,ROHM,Xilinx,Pulse,ON,Everlight and Freescale. Main products comprise IC,Modules,Potentiometer,IC Socket,Relay,Connector.Our parts cover such applications as commercial,industrial, and automotives areas.

We are looking forward to setting up business relationship with you and hope to provide you with the best service and solution. Let us make a better world for our industry!



## Contact us

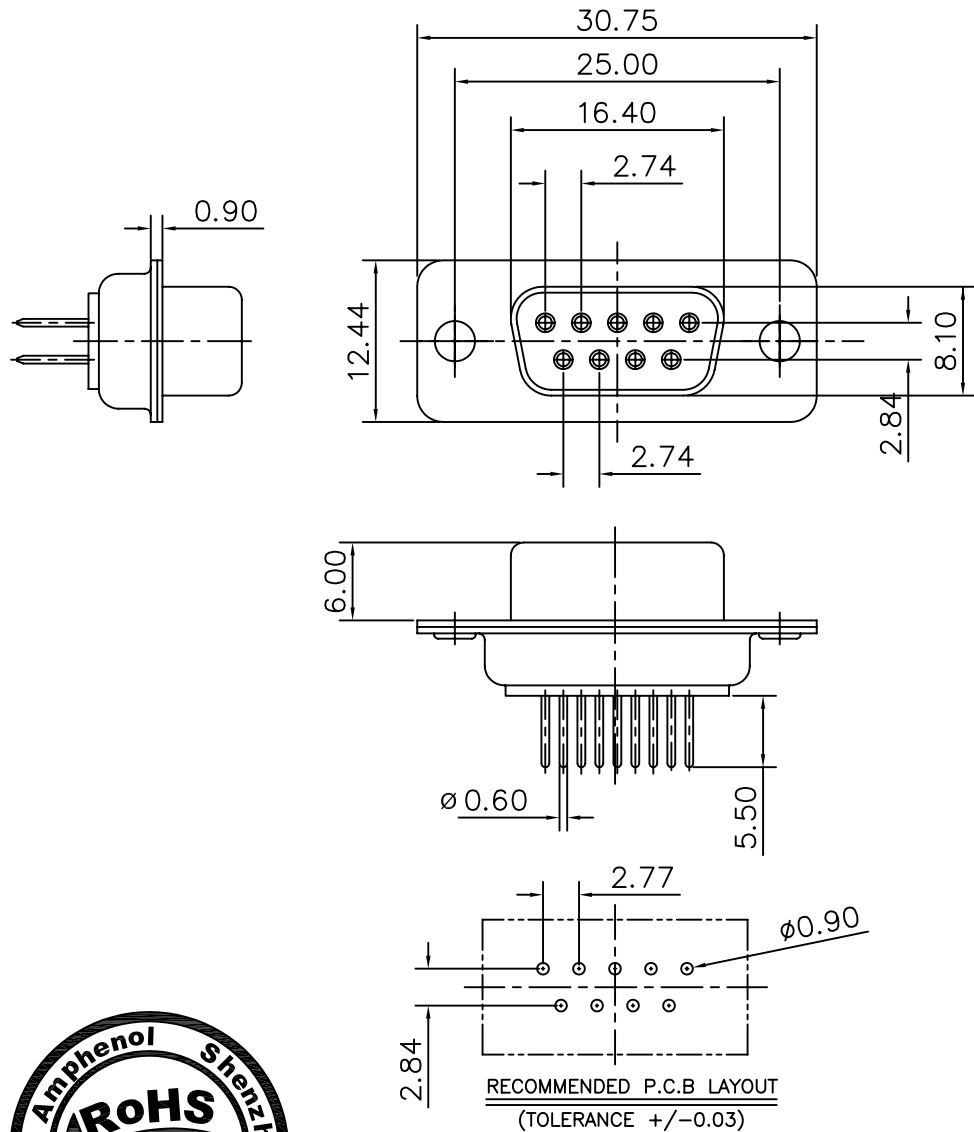
Tel: +86-755-8981 8866 Fax: +86-755-8427 6832

Email & Skype: info@chipsmall.com Web: www.chipsmall.com

Address: A1208, Overseas Decoration Building, #122 Zhenhua RD., Futian, Shenzhen, China



A  
B  
C  
D  
E



### TECHNICAL DATA

#### D-SUBMINIATURE CONNECTORS

SHELL : Steel

Finish : Tinned over nickel

BODY : Glass filled thermoplastic.

Flame retardant to UL94 V-0

Color : Black

CONTACTS : Material for socket : Phosphor bronze

Finish of contact: Gold plating over Nickel

ELECTRICAL : Voltage rating 300 V Rms to 50 Hz

Nominal current 5.0 A

Withstanding Voltage >1000 V Rms to 50 Hz

Contact resistance 50 mOhms max.

Insulator resistance >5000 M Ohms

CLIMATIC : Temperature range -55 °C up to 155 °C

Damp heat 56 days(40°C-95% HR)

Other climatic specification in accordance with

NF C93-425 Sheet HE507

MACHANICAL : Insertion force per contact <math>F < 3.4N</math>(Size 20)

Extraction force per contact 0.4N Min..(Size 20)

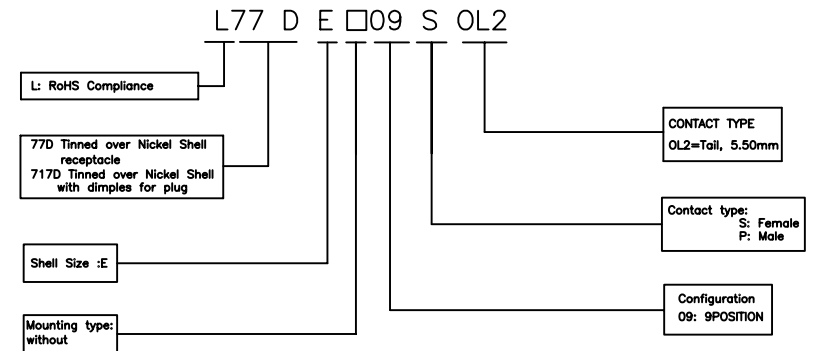
Mating and unmating force size E 30N Max.3.0 N min..

MARKING : Amphenol-...(Series No.)

Commercial reference

Manufacturing date

#### PRODUCT CODE



# Amphenol

TOL. GEN.: +/-0.30

VOLUME:

AREA:

PLATING:

TREATMENT:

MATERIAL:

SERIES	
NUMBER SERIES	017F
DATE	2006.12.11

FILE:	
DESIGNATION	D-SUB CONNECTOR

CUSTOMER	MODIFICATIONS	DRAW	DATE	APPROVE	IND.
PART NUMBER		L77DE09SOL2			

origin drawing Lik 12/11/06 Stefan A