



Chipsmall Limited consists of a professional team with an average of over 10 year of expertise in the distribution of electronic components. Based in Hongkong, we have already established firm and mutual-benefit business relationships with customers from,Europe,America and south Asia,supplying obsolete and hard-to-find components to meet their specific needs.

With the principle of "Quality Parts,Customers Priority,Honest Operation,and Considerate Service",our business mainly focus on the distribution of electronic components. Line cards we deal with include Microchip,ALPS,ROHM,Xilinx,Pulse,ON,Everlight and Freescale. Main products comprise IC,Modules,Potentiometer,IC Socket,Relay,Connector.Our parts cover such applications as commercial,industrial, and automotives areas.

We are looking forward to setting up business relationship with you and hope to provide you with the best service and solution. Let us make a better world for our industry!



Contact us

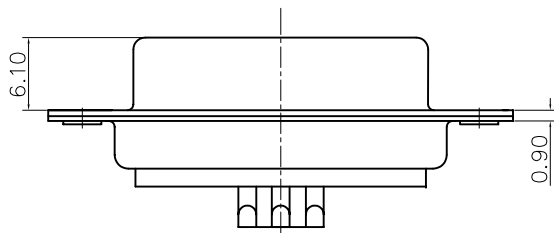
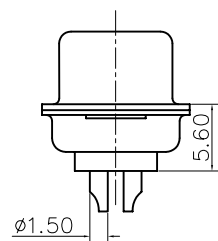
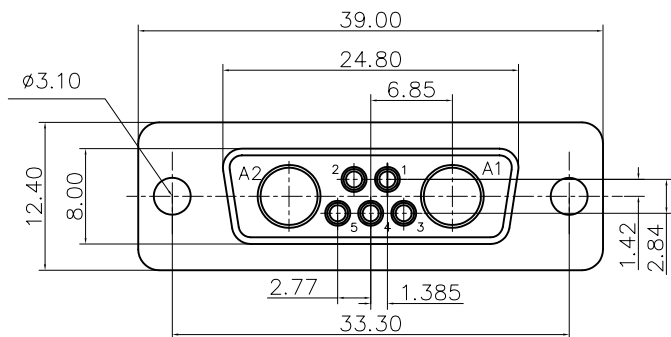
Tel: +86-755-8981 8866 Fax: +86-755-8427 6832

Email & Skype: info@chipsmall.com Web: www.chipsmall.com

Address: A1208, Overseas Decoration Building, #122 Zhenhua RD., Futian, Shenzhen, China



This document is the property of Amphenol Corporation and is delivered on the express condition that it is not to be disclosed, reproduced or used, in whole or in part, for manufacture or sale by anyone other than Amphenol Corporation without its prior consent, & that no right is granted to disclose or to use any information in this document.



Customer drawing

REVISIONS

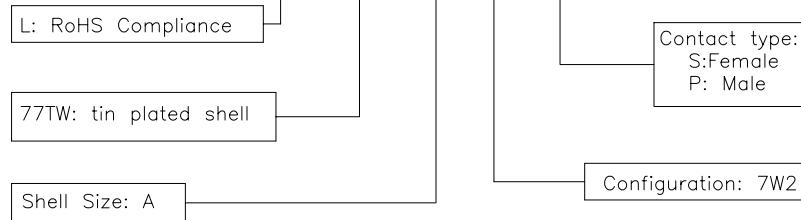
SYM	ECN	DESCRIPTION	DATE	APPROVED
1			11/05/08	

D-SUB TECHNICAL DATA

SHELL : Steel 2.5um(100u") min tin over 1.25um(50u") min nickel
 BODY : Glass filled thermoplastic.
 Flame retardant to UL94 V-0 Color Black
 CONTACTS : Machined bronze
 0.4um(15u") min gold over 1.25um(50u") min nickel
 ELECTRICAL : Voltage rating : 300 V RMS at 50 Hz
 Current rating : 7.5A
 Withstanding Voltage >1000 V RMS at 50 Hz for one minute
 Insulation resistance >5000 M Ohms
 CLIMATIC : Temperature range -55 °C up to 155°C
 Damp heat 56 days(40 °C-95% HR)
 MARKING : Amphenol...(Series No.)
 Commercial reference
 Manufacturing date

PRODUCT CODE

L 77TW A 7W2 S



UNLESS OTHERWISE SPECIFIED TOLERANCES	APPROVAL		DATE
	U.S.	METRIC	
.X +/-	0.50	DRAWN	Christina.cui 10/31/07
.XX +/-	0.30	CHECKED	Lik.wang 10/31/07
.XXX +/-	0.20	CHECKED	
FRACTIONS +/-	5'	DRAWING FILE :	
ANGLES +/-		ANGLE OF PROJECTION	
FOR MATERIALS AND FINISHES SEE NOTES		REMOVE SHARP EDGES	
DIMENSIONS		U.S. INCHES	
METRIC MM			

Amphenol®		
TITLE Hybrid connector, TW series		
SIZE	DRAWING NO.	REV.
A4	C L77TWA7W2S	1
SCALE	NONE	SHEET 1 OF 1