



Chipsmall Limited consists of a professional team with an average of over 10 year of expertise in the distribution of electronic components. Based in Hongkong, we have already established firm and mutual-benefit business relationships with customers from,Europe,America and south Asia,supplying obsolete and hard-to-find components to meet their specific needs.

With the principle of “Quality Parts,Customers Priority,Honest Operation,and Considerate Service”,our business mainly focus on the distribution of electronic components. Line cards we deal with include Microchip,ALPS,ROHM,Xilinx,Pulse,ON,Everlight and Freescale. Main products comprise IC,Modules,Potentiometer,IC Socket,Relay,Connector.Our parts cover such applications as commercial,industrial, and automotives areas.

We are looking forward to setting up business relationship with you and hope to provide you with the best service and solution. Let us make a better world for our industry!



Contact us

Tel: +86-755-8981 8866 Fax: +86-755-8427 6832

Email & Skype: info@chipsmall.com Web: www.chipsmall.com

Address: A1208, Overseas Decoration Building, #122 Zhenhua RD., Futian, Shenzhen, China



/PLAN-2D/777TWB5W5P3Y

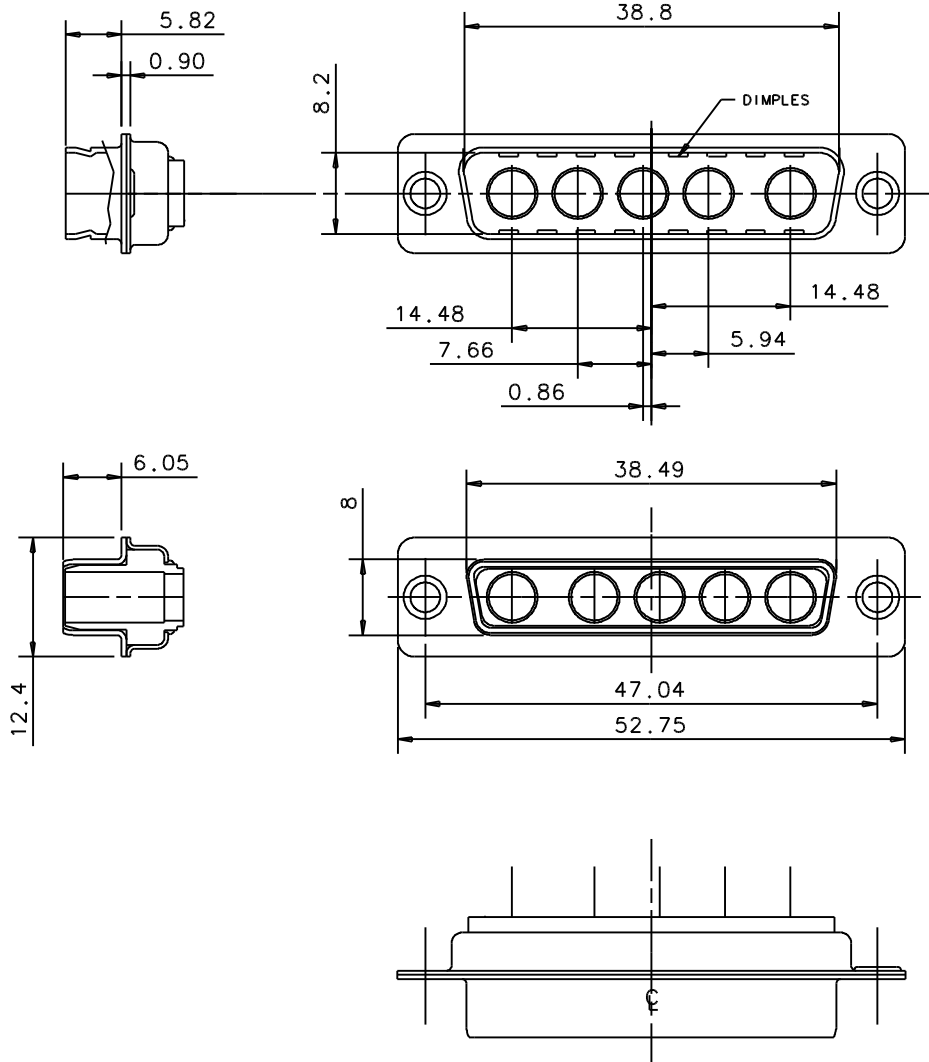
N CLIENT

N OUTIL

N ETUDE

17TW-006

DATE DU TIRAGE



TECHNICAL DATA

'' D '' SUBMINIATURE CONNECTORS

SHELL : Steel .
 finish : Tinned .

BODY : Glass filled thermoplastic
 Flame retardant to UL 94 Vo
 (resist to short term temperature 500°F 260C)
 Colour : black .

ELECTRICAL : Voltage proof >1000 V Rms to 50Hz .
 Contact resistance <5m Ohms .
 Insulator resistance >5000 M Ohms .

CLIMATIC : Temperature range -67°F up to +255°F (-55°C +125°C)
 Damp heart 56 days (105°F - 95 % RH) (40°C)
 Other climatic specifications in accordance
 with NF C 93-425, sheet HE507 and MIL C 24-308 .

MECHANICAL : Mating and unmating force 83N max.

L77TW B 5W5 S

L77TW Tinned shells for receptacle
 RoHS version
 L717TW Tinned shells with dimples
 for plug , RoHS version

Shell size : B

Mounting type
 Without

Configuration : 5W5
 5 cavities size B

Options:

Contact type : S = female
 : P = male

Amphenol Socapex
 Usine de Dole

ECHELLE 2 ENSEMBLE TW

<input checked="" type="checkbox"/>	Creation plan	28/05	Quere
<input type="checkbox"/>	IND. MODIFICATION	DATE	Execu/Approb

N SERIE 017F DESIGNATION

L77TWB5W5S

COMMUNICATION ET UTILISATION INTERDITES SAUF AUTORISATION