



Chipsmall Limited consists of a professional team with an average of over 10 year of expertise in the distribution of electronic components. Based in Hongkong, we have already established firm and mutual-benefit business relationships with customers from,Europe,America and south Asia,supplying obsolete and hard-to-find components to meet their specific needs.

With the principle of “Quality Parts,Customers Priority,Honest Operation,and Considerate Service”,our business mainly focus on the distribution of electronic components. Line cards we deal with include Microchip,ALPS,ROHM,Xilinx,Pulse,ON,Everlight and Freescale. Main products comprise IC,Modules,Potentiometer,IC Socket,Relay,Connector.Our parts cover such applications as commercial,industrial, and automotives areas.

We are looking forward to setting up business relationship with you and hope to provide you with the best service and solution. Let us make a better world for our industry!



## Contact us

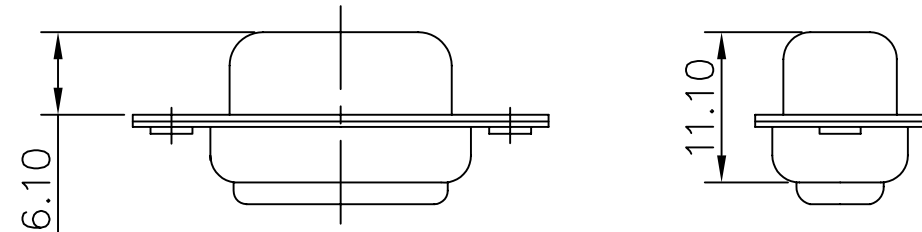
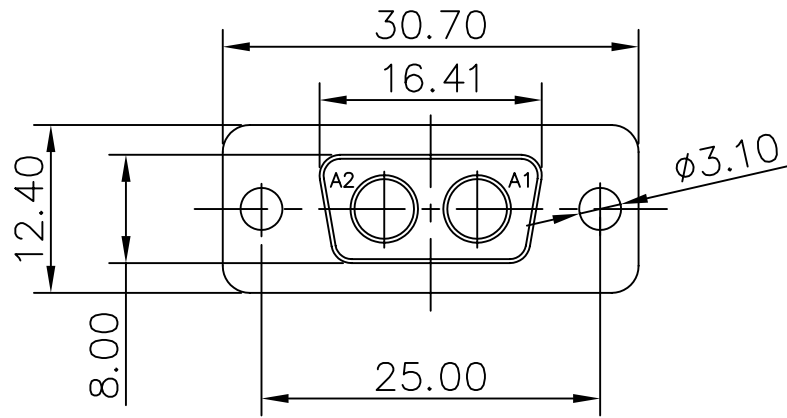
Tel: +86-755-8981 8866 Fax: +86-755-8427 6832

Email & Skype: info@chipsmall.com Web: www.chipsmall.com

Address: A1208, Overseas Decoration Building, #122 Zhenhua RD., Futian, Shenzhen, China



This document is the property of Amphenol Corporation and is delivered on the express condition that it is not to be disclosed, reproduced or used, in whole or in part, for manufacture or sale by anyone other than Amphenol Corporation without its prior consent, & that no right is granted to disclose or to use any information in this document.



*Customer Drawing*

REVISIONS				
SYM	ECN	DESCRIPTION	DATE	APPROVED
1		New release	05/06/09	IP

**D-SUB TECHNICAL DATA**

SHELL :Steel 2.5um(100u") min tin over 1.25um(50u") min nickel  
 BODY : Glass filled thermoplastic.  
 Flame retardant to UL94 V-0  
 Color Black

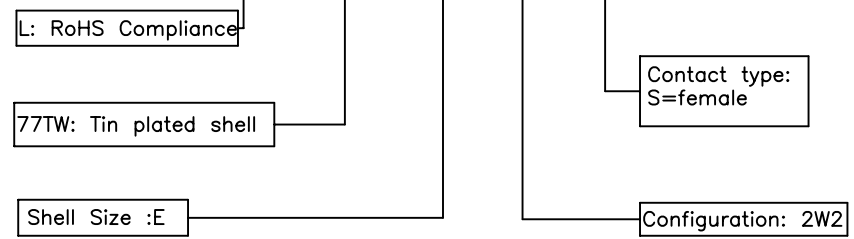
ELECTRICAL : Voltage rating 300 V RMS at 50 Hz  
 Withstanding Voltage >1000 V RMS at 50 Hz for one minute  
 Insulation resistance >5000 M Ohms

CLIMATIC : Temperature range -55 °C up to 155°C  
 Damp heat 56 days(40 °C-95% HR)

MARKING : Amphenol...(Series No.)  
 Commercial reference  
 Manufacturing date

**PRODUCT CODE**

**L 77TW E 2W2 S**



UNLESS OTHERWISE SPECIFIED TOLERANCES		APPROVAL	DATE
U.S.	METRIC	DRAWN	DATE
.X +/-	0.50	Christine	05/06/09
.XX +/-	0.30	CHECKED	
.XXX +/-	0.20	Uk.wang	05/06/09
FRACTIONS +/-		CHECKED	
ANGLES +/-	2'		
FOR MATERIALS AND FINISHES SEE NOTES		DRAWING FILE :	
REMOVE SHARP EDGES		ANGLE OF PROJECTION	
DIMENSIONS			
U.S.	INCHES		
METRIC	MM		

Amphenol®		
TITLE Hybrid connector, TW series		
SIZE	DRAWING NO.	REV.
A4	C L77TWE2W2S	1
SCALE	NONE	SHEET 1 OF 1