



Chipsmall Limited consists of a professional team with an average of over 10 year of expertise in the distribution of electronic components. Based in Hongkong, we have already established firm and mutual-benefit business relationships with customers from,Europe,America and south Asia,supplying obsolete and hard-to-find components to meet their specific needs.

With the principle of “Quality Parts,Customers Priority,Honest Operation,and Considerate Service”,our business mainly focus on the distribution of electronic components. Line cards we deal with include Microchip,ALPS,ROHM,Xilinx,Pulse,ON,Everlight and Freescale. Main products comprise IC,Modules,Potentiometer,IC Socket,Relay,Connector.Our parts cover such applications as commercial,industrial, and automotives areas.

We are looking forward to setting up business relationship with you and hope to provide you with the best service and solution. Let us make a better world for our industry!



Contact us

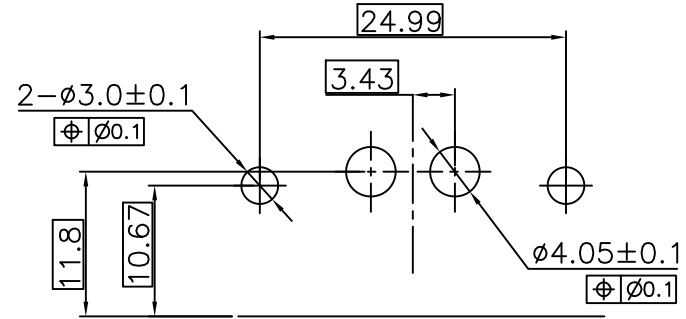
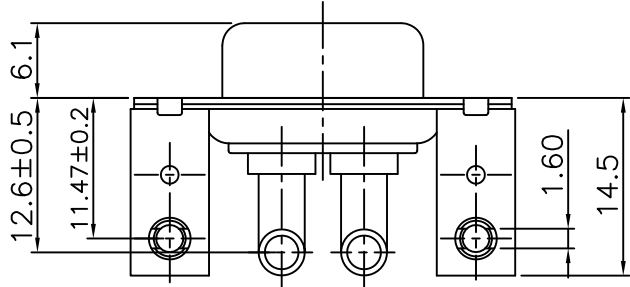
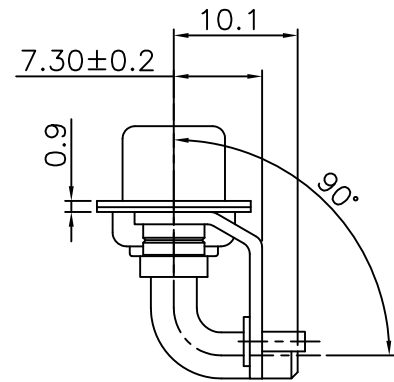
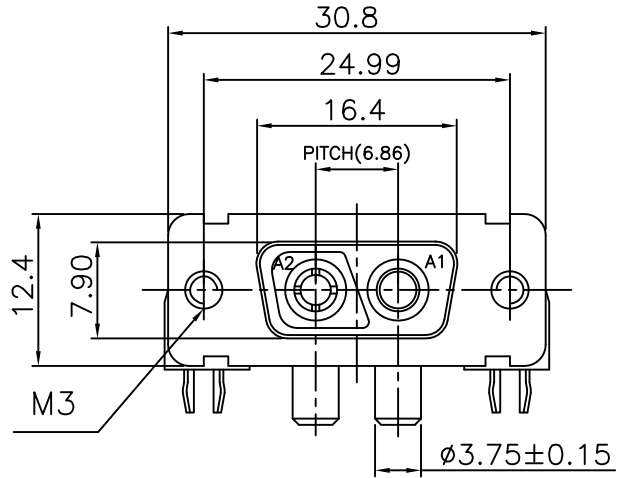
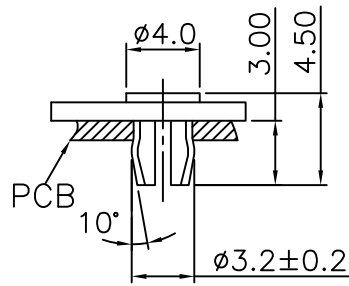
Tel: +86-755-8981 8866 Fax: +86-755-8427 6832

Email & Skype: info@chipsmall.com Web: www.chipsmall.com

Address: A1208, Overseas Decoration Building, #122 Zhenhua RD., Futian, Shenzhen, China



This document is the property of Amphenol Corporation and is delivered on the express condition that it is not to be disclosed, reproduced or used, in whole or in part, for manufacture or sale by anyone other than Amphenol Corporation without its prior consent, & that no right is granted to disclose or to use any information in this document.



RECOMMENDED P.C.B LAYOUT
(thickness :1.6mm)



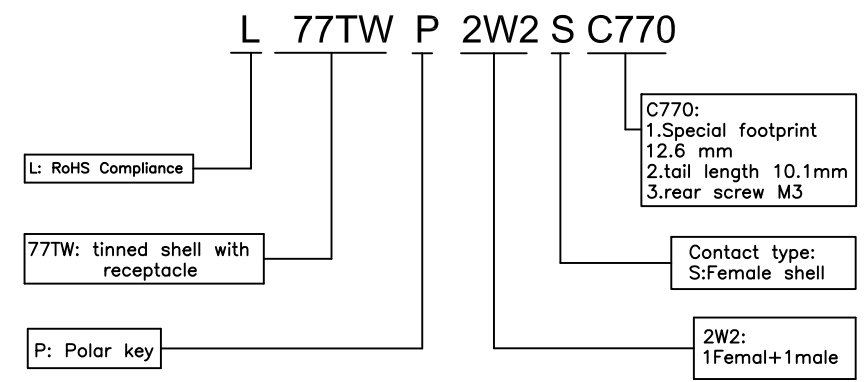
Customer Drawing for proposal

REVISIONS				
SYM	ECN	DESCRIPTION	DATE	APPROVED
1			20/11/08	
2		1.Modify insulator and rear nut view 2.Modify tolerance of dimension "10.1" and "12.6"	Sep/26/11	

D-SUB TECHNICAL DATA

SHELL : Steel, 2.5um(100u") min tin over 1.25um(50u") min nickel
 BODY : Glass filled thermoplastic.
 Flame retardant to UL94 V-0, Color Black
 CONTACT : Male contact: Brass, Female contact: Bronze
 15u" min gold over 50u" min nickel on mating area
 100u" min tin over 50u" min nickel on solder area
 REAR NUT : Brass, 100u" min tin over 50u" min nickel
 ELECTRICAL : Voltage rating : 300 V Rms to 50 Hz
 Nominal current : 20-40A
 Withstanding Voltage >1000 V RMS at 50 Hz for one minute
 Insulation resistance >5000 M Ohms
 Contact resistance 30 M ohms max
 CLIMATIC : Temperature range -55 °C up to 155°C
 Damp heat 56 days(40 °C-95% HR)
 MARKING : Amphenol...(Series No.)
 Commercial reference
 Manufacturing date

PRODUCT CODE



UNLESS OTHERWISE SPECIFIED TOLERANCES		APPROVAL		DATE
U.S.	METRIC	DRAWN	Terry.zie	Sep/26/11
.X +/-	0.50	CHECKED	Lik.wang	Sep/26/11
.XX +/-	0.30	CHECKED		
.XXX +/-	0.20			
FRACTIONS +/-	2'			
ANGLES +/-				
FOR MATERIALS AND FINISHES SEE NOTES		DRAWING FILE :		
REMOVE SHARP EDGES		ANGLE OF PROJECTION		
DIMENSIONS				
U.S.	INCHES			
METRIC	MM			

Amphenol	
Amphenol East Asia Limited	
TITLE	
D-SUB 2W2 1 MALE & 1 FEMALE	
SIZE	DRAWING NO.
A4	C L77TWP2W2SC770
SCALE	NONE
SHEET	1 OF 1
REV.	2