



Chipsmall Limited consists of a professional team with an average of over 10 year of expertise in the distribution of electronic components. Based in Hongkong, we have already established firm and mutual-benefit business relationships with customers from,Europe,America and south Asia,supplying obsolete and hard-to-find components to meet their specific needs.

With the principle of “Quality Parts,Customers Priority,Honest Operation,and Considerate Service”,our business mainly focus on the distribution of electronic components. Line cards we deal with include Microchip,ALPS,ROHM,Xilinx,Pulse,ON,Everlight and Freescale. Main products comprise IC,Modules,Potentiometer,IC Socket,Relay,Connector.Our parts cover such applications as commercial,industrial, and automotives areas.

We are looking forward to setting up business relationship with you and hope to provide you with the best service and solution. Let us make a better world for our industry!



Contact us

Tel: +86-755-8981 8866 Fax: +86-755-8427 6832

Email & Skype: info@chipsmall.com Web: www.chipsmall.com

Address: A1208, Overseas Decoration Building, #122 Zhenhua RD., Futian, Shenzhen, China



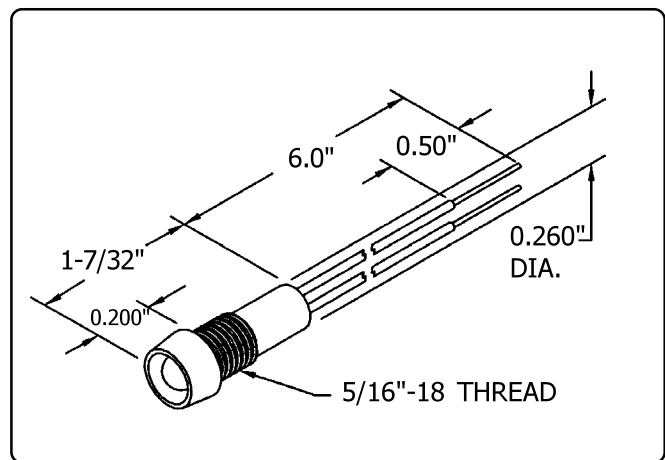
Threaded LED Indicator Lights for 5/16" Dia. Mounting Hole

L79 SERIES

- LED INDICATOR LIGHTS WITH BUILT-IN REFLECTOR
- 5/16" DIA. MOUNTING HOLE
- THREADED HOUSING AND NUT
- 6" WIRE LEADS • CLEAR OR DIFFUSED LENS • VARIOUS LENS COLORS
- 2 TO 125 DESIGN VOLTS

Overview

The L79 Series LED indicators are constructed with a threaded housing with a built-in reflector. Each unit has a high brightness clear or diffused LED. Low voltage DC units are supplied with two color-coded 6" wire leads. 125 Volt AC units are supplied with a bi-polar LED and two white wire leads. Standard voltages range from 2 to 24 volts DC or 125 volts AC. Indicators mount into a 5/16" diameter mounting hole with a maximum panel thickness of 0.250" (6.35mm). A hex nut and lockwasher are supplied. Current: 20mA Typical.



Specifications

Housing: chrome plated brass. Supplied with lockwasher and hex nut.

Gasket: neoprene.

LED Lens: clear (L79C) or diffused (L79D).

LED DC voltage options: 2, 6, 12, 24 volts.

LED AC voltage options: 125 volts.

Note: 125 volts AC units contain a bi-polar LED.

Wire leads:

6" leads: #24 AWG, prebonded copper, thin wall PVC, UL/CSA rated 105° C, stripped 1/2". DC units are supplied with a red wire lead which denotes the anode (+) while a black wire lead identifies the cathode (-). AC units are supplied with two white wire leads. Custom wire lengths, stripping, termination and wire types are available.

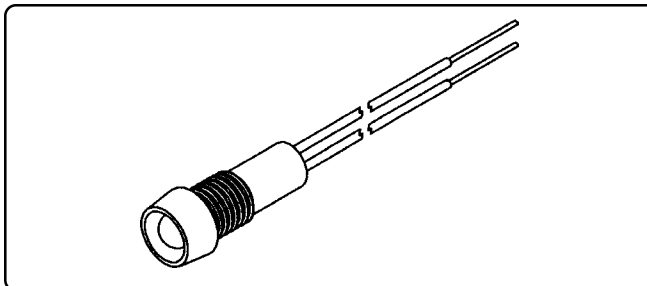
Other LEDs: bi-color, low current or ultra bright.

Can't find it here? We have many more standard and custom solutions

For further information, phone Customer Service at 800.522.5546.

Threaded LED Indicator Lights for 5/16" Dia. Mounting Hole

L79 SERIES
LED Indicator Light
Clear Lens or
Diffused Lens
Various Lens Colors



6" Wire Leads
**Chrome Plated-
Brass Housing**
With Reflector
2 to 125 Design Volts

Part Number	Lens Style	Lens Color	Design Volts DC AC Design Volts*	Typical LED Intensity (mcd)	Typical LED Viewing Angle
L79C-G2-W	Clear	Green	2	100	30°
L79C-G6-W	Clear	Green	6	100	30°
L79C-G12-W	Clear	Green	12	100	30°
L79C-G24-W	Clear	Green	24	100	30°
L79C-G125-W	Clear	Green	125*	100	30°
L79C-R2-W	Clear	Red	2	100	30°
L79C-R6-W	Clear	Red	6	100	30°
L79C-R12-W	Clear	Red	12	100	30°
L79C-R24-W	Clear	Red	24	100	30°
L79C-R125-W	Clear	Red	125*	100	30°
L79C-Y2-W	Clear	Yellow	2	100	30°
L79C-Y6-W	Clear	Yellow	6	100	30°
L79C-Y12-W	Clear	Yellow	12	100	30°
L79C-Y24-W	Clear	Yellow	24	100	30°
L79C-Y125-W	Clear	Yellow	125*	100	30°
L79D-G2-W	Diffused	Green	2	80	60°
L79D-G6-W	Diffused	Green	6	80	60°
L79D-G12-W	Diffused	Green	12	80	60°
L79D-G24-W	Diffused	Green	24	80	60°
L79D-G125-W	Diffused	Green	125*	80	60°
L79D-R2-W	Diffused	Red	2	80	60°
L79D-R6-W	Diffused	Red	6	80	60°
L79D-R12-W	Diffused	Red	12	80	60°
L79D-R24-W	Diffused	Red	24	80	60°
L79D-R125-W	Diffused	Red	125*	80	60°
L79D-Y2-W	Diffused	Yellow	2	80	60°
L79D-Y6-W	Diffused	Yellow	6	80	60°
L79D-Y12-W	Diffused	Yellow	12	80	60°
L79D-Y24-W	Diffused	Yellow	24	80	60°
L79D-Y125-W	Diffused	Yellow	125*	80	60°

Polarity Determination - Wire Leads: Red wire lead denotes anode (+); black wire lead denotes cathode (-).