



Chipsmall Limited consists of a professional team with an average of over 10 year of expertise in the distribution of electronic components. Based in Hongkong, we have already established firm and mutual-benefit business relationships with customers from,Europe,America and south Asia,supplying obsolete and hard-to-find components to meet their specific needs.

With the principle of "Quality Parts,Customers Priority,Honest Operation,and Considerate Service",our business mainly focus on the distribution of electronic components. Line cards we deal with include Microchip,ALPS,ROHM,Xilinx,Pulse,ON,Everlight and Freescale. Main products comprise IC,Modules,Potentiometer,IC Socket,Relay,Connector.Our parts cover such applications as commercial,industrial, and automotives areas.

We are looking forward to setting up business relationship with you and hope to provide you with the best service and solution. Let us make a better world for our industry!



Contact us

Tel: +86-755-8981 8866 Fax: +86-755-8427 6832

Email & Skype: info@chipsmall.com Web: www.chipsmall.com

Address: A1208, Overseas Decoration Building, #122 Zhenhua RD., Futian, Shenzhen, China



THE INFORMATION CONTAINED HEREIN IS CONSIDERED "PROPRIETARY" TO BEL FUSE INC. AND SHALL NOT BE COPIED, REPRODUCED OR DISCLOSED WITHOUT THE WRITTEN APPROVAL OF BEL FUSE INC.

LED1 POLARITY			LED2 POLARITY		
PIN 13	PIN 14	COLOR	PIN 15	PIN 16	COLOR
-	+	YELLOW	-	+	GREEN
/	/	/	+	-	ORANGE



RJ45

ELECTRICAL CHARACTERISTICS @ 25°C

URNS RATIO

TP1	1CT : 1CT ±2%
TP2	1CT : 1CT ±2%
TP3	1CT : 1CT ±2%
TP4	1CT : 1CT ±2%

QCL @ 100kHz/100mVRMS

8mA DC BIAS 350µH MIN.

INS. LOSS

0.1MHz TO 1MHz	-1.1 dB MAX
1MHz TO 65MHz	-0.5 dB MAX
65MHz TO 100MHz	-0.8 dB MAX
100MHz TO 125MHz	-1.2 dB MAX

RET. LOSS (MIN)

0.5MHz-40MHz	-18 dB
40MHz-100MHz	-12+20LOG(f/80MHz) dB

Cross Talk

Ch1-Ch2, Ch2-Ch3, Ch3-Ch4	
Ch4-Ch1, Ch2-Ch4, Ch3-Ch1	
1MHz - 30MHz	-37dB MIN
30MHz - 80MHz	-29dB MIN
80MHz - 100MHz	-28dB MIN

CM TO DM REJ

100kHz - 100MHz -35 dB MIN

HIPOT (Isolation Voltage):

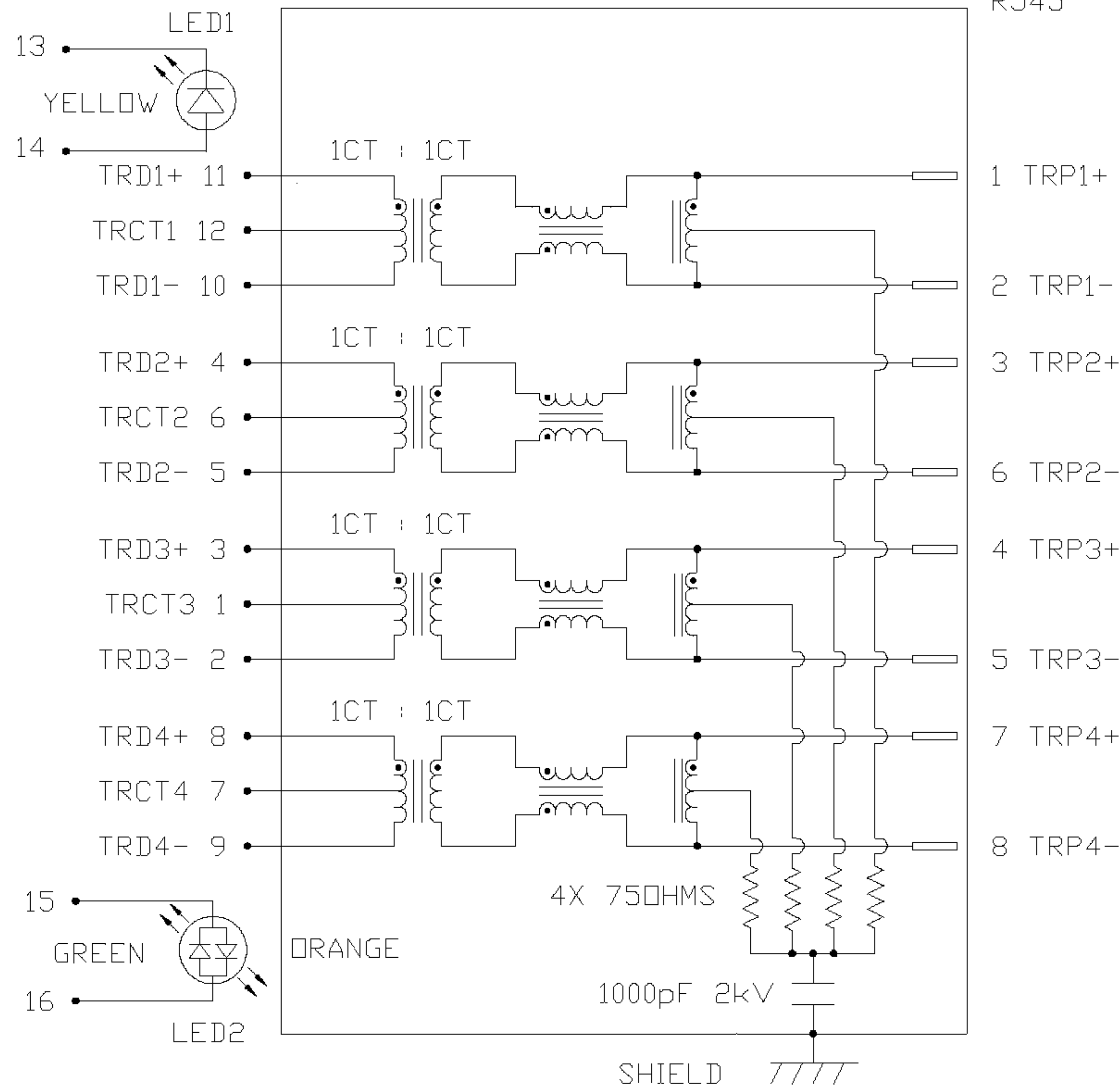
1500 Vrms or 2250VDC

LED 1

VF (FORWARD VOLTAGE)	IF=20mA	YELLOW	2.1V TYP.
λD (DOMINANT WAVELENGTH)	IF=20mA	YELLOW	590nm TYP.

LED 2

VF (FORWARD VOLTAGE)	IF=20mA	GREEN	2.2V TYP.
		ORANGE	2.0V TYP.
λD (DOMINANT WAVELENGTH)	IF=20mA	GREEN	565nm TYP.
		ORANGE	610nm TYP.



ORIGINATED BY	DATE	TITLE
CHUNG	01-05-07	gigabit MagJack®
DRAWN BY	DATE	(Low Profile, 12 cores)
DE	01-05-07	L826-1X1T-23-F

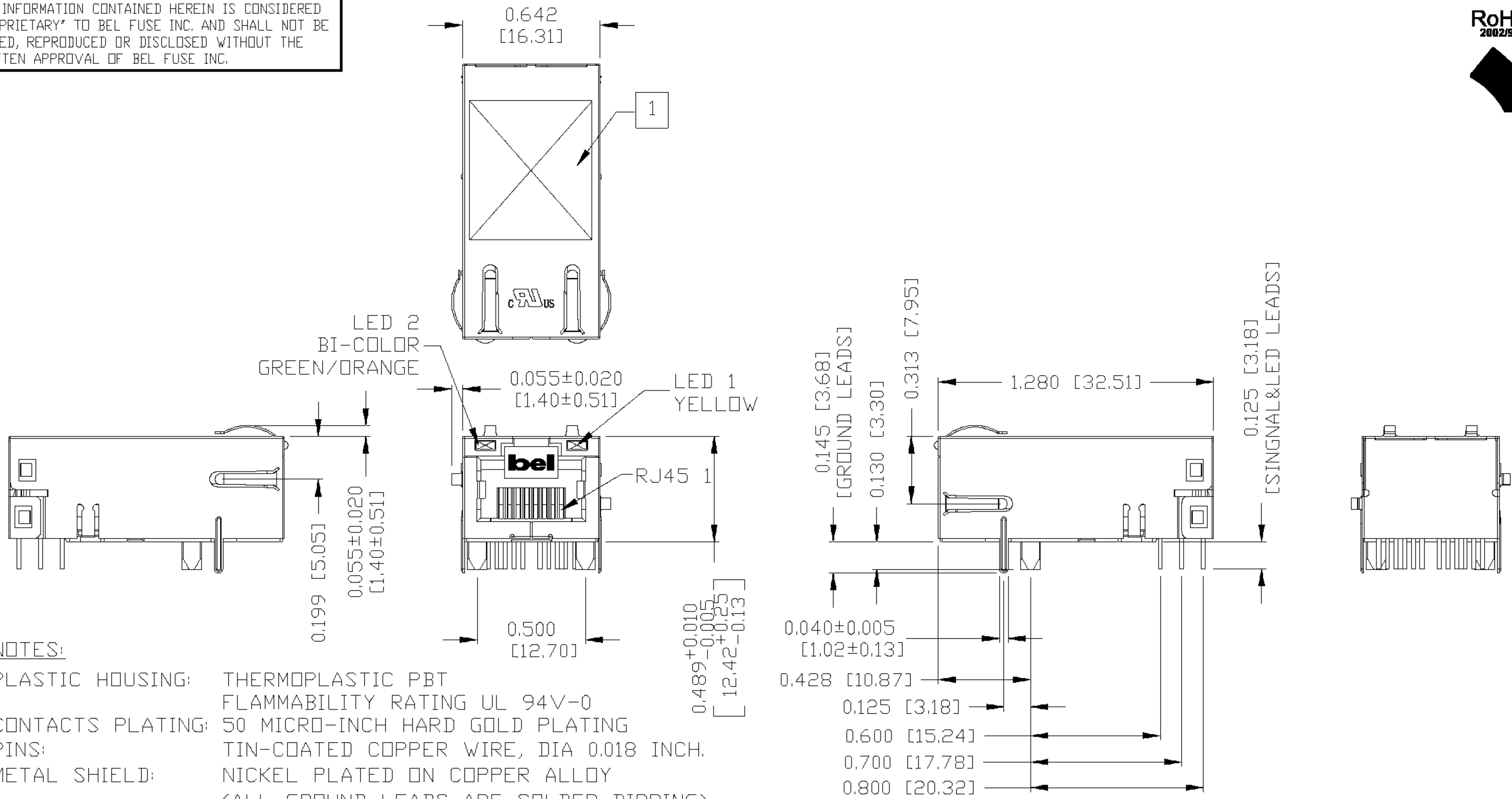
PART NO. / DRAWING NO.	STANDARD DIM.	[] METRIC DIM. AS REFERENCE
L8261X1T23-F	TOL. IN INCH	UNIT : INCH [mm] REV. : B
FILE NAME	.X	SCALE : N/A SIZE : A4
L8261X1T23-FB.DWG	.XX	⊕
	.XXX	⊖

PAGE : 2



THE INFORMATION CONTAINED HEREIN IS CONSIDERED "PROPRIETARY" TO BEL FUSE INC. AND SHALL NOT BE COPIED, REPRODUCED OR DISCLOSED WITHOUT THE WRITTEN APPROVAL OF BEL FUSE INC.

RoHS
2002/95/EC



NOTES:
 PLASTIC HOUSING: THERMOPLASTIC PBT
 FLAMMABILITY RATING UL 94V-0
 CONTACTS PLATING: 50 MICRO-INCH HARD GOLD PLATING
 PINS: TIN-COATED COPPER WIRE, DIA 0.018 INCH.
 METAL SHIELD: NICKEL PLATED ON COPPER ALLOY
 (ALL GROUND LEADS ARE SOLDER DIPPING)

[1] MARK PART WITH MFG. LOGO; MFG. NAME; PART NUMBER; DATE CODE.
 JACK CAVITY CONFORMS TO FCC RULES AND REGULATIONS.
 RoHS COMPLIANCE, PER EU DIRECTIVE 2002/95/EC.

UL US UL RECOGNIZED - FILE #E196366 AND E169987.

ORIGINATED BY CHRIS/BILL	DATE 01-05-07	TITLE gigabit MagJack® (Low Profile, 12 cores) L826-1X1T-23-F	PART NO. / DRAWING NO. L8261X1T23-F	STANDARD DIM. TOL. IN INCH	[] METRIC DIM. AS REFERENCE	
DRAWN BY TING	DATE 01-05-07		FILE NAME L8261X1T23-FB.DWG	.X .XX .XXX	±0.010	UNIT : INCH [mm] SCALE : N/A

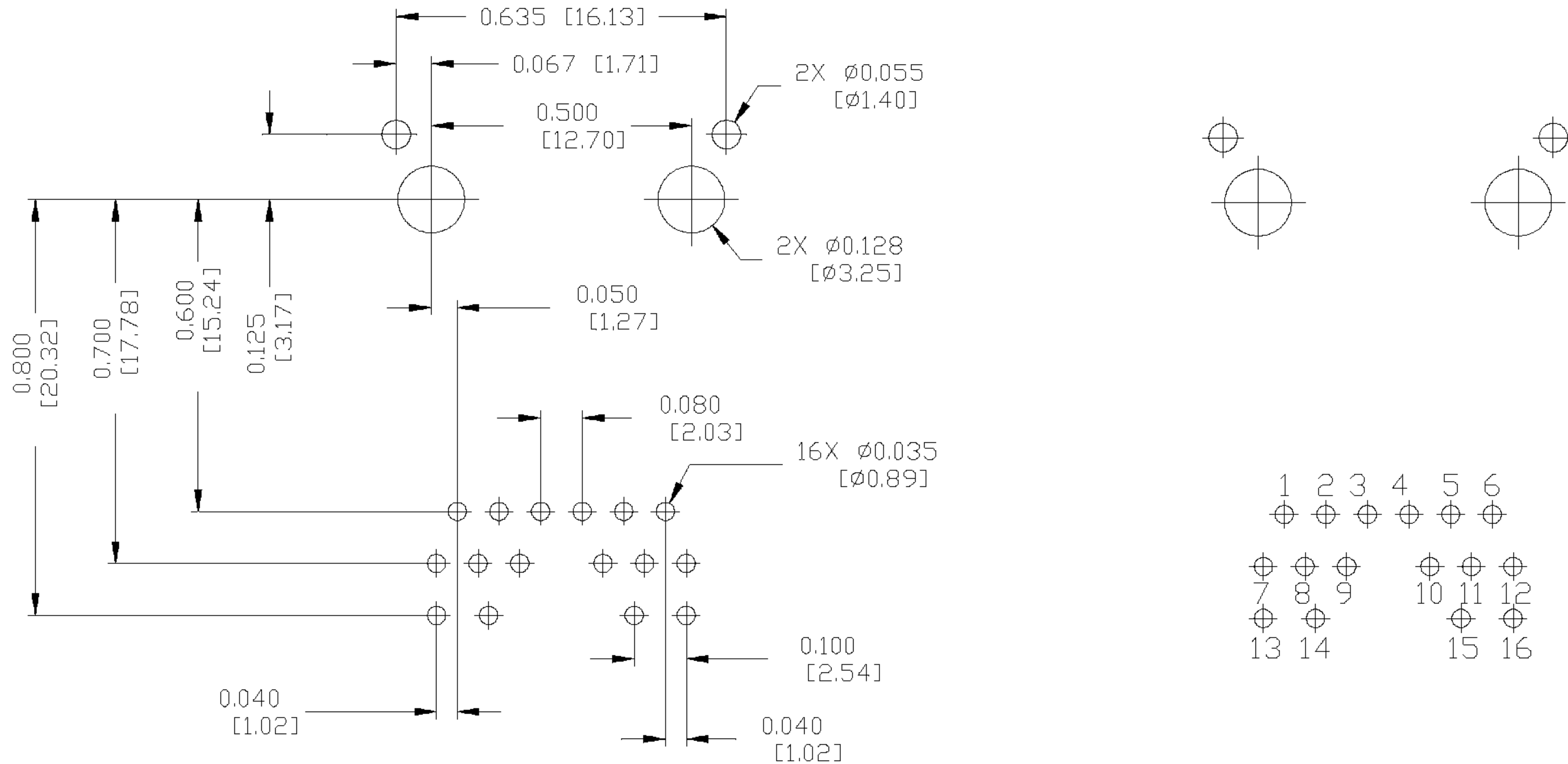


THE INFORMATION CONTAINED HEREIN IS CONSIDERED "PROPRIETARY" TO BEL FUSE INC. AND SHALL NOT BE COPIED, REPRODUCED OR DISCLOSED WITHOUT THE WRITTEN APPROVAL OF BEL FUSE INC.



RECOMMENDED PCB FOOTPRINT

(COMPONENT SIDE VIEW)



ORIGINATED BY CHRIS/BILL	DATE 01-05-07	TITLE gigabit MagJack® (Low Profile, 12 cores) L826-1X1T-23-F	PART NO. / DRAWING NO. L8261X1T23-F	STANDARD DIM. TOL. IN INCH	[] METRIC DIM. AS REFERENCE	
DRAWN BY TING	DATE 01-05-07		FILE NAME L8261X1T23-FB.DWG	.X .XX .XXX	UNIT : INCH [mm] SCALE : N/A	REV. : B SIZE : A4 PAGE : 4

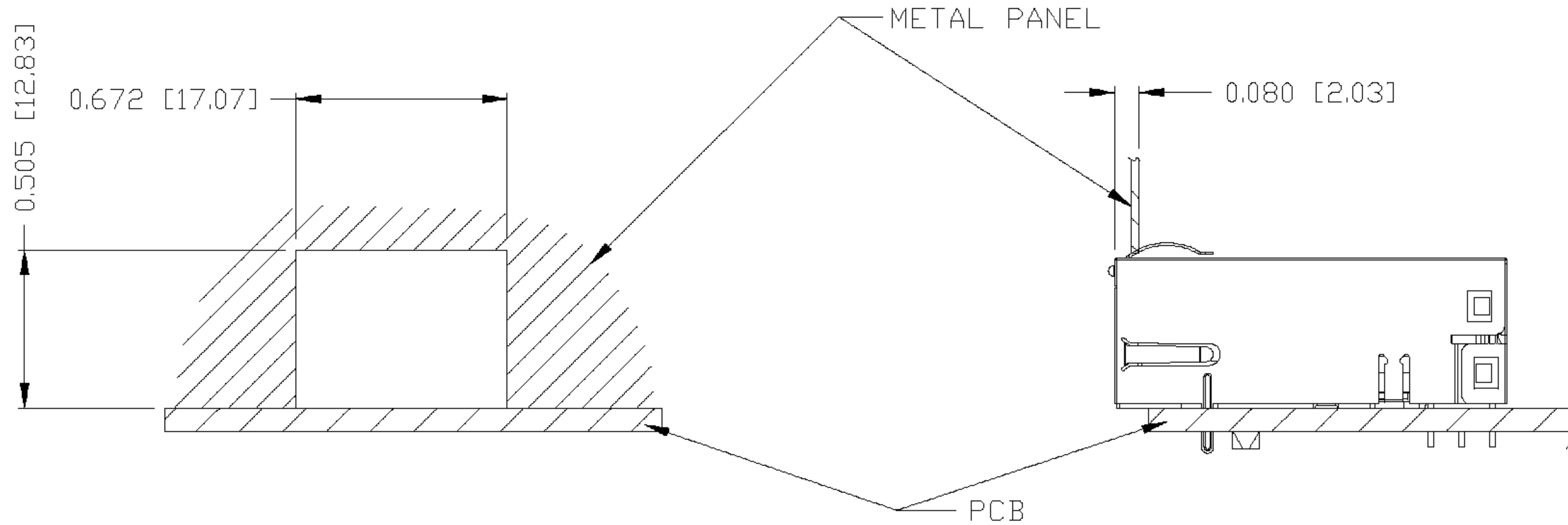


THE INFORMATION CONTAINED HEREIN IS CONSIDERED "PROPRIETARY" TO BEL FUSE INC. AND SHALL NOT BE COPIED, REPRODUCED OR DISCLOSED WITHOUT THE WRITTEN APPROVAL OF BEL FUSE INC.

RoHS
2002/95/EC



SUGGESTED PANEL OPENING



NOTE:

THE DISTANCE OF PANEL INSIDE SURFACE RELATIVE TO FRONT SURFACE OF PART IS ONLY A SUGGESTION. IN CASE THIS DISTANCE IS DIFFERENT, THE REQUIRED PANEL OPENING DIMENSIONS CHANGE ACCORDINGLY.

PACKING INFORMATION

PACKING TRAY: 0200-9999-D6 (TOP)
0200-9999-D7 (BOTTOM)

PACKING QUANTITY: 40 PCS FINISHED GOODS PER TRAY
11 TRAYS (440 PCS FINISHED GOODS) PER CARTON BOX

NOTE: CARDBOARDS ARE PLACED BETWEEN LAYERS OF PACKING TRAY INSIDE CARTON BOX
(INCLUDE THE UPPERMOST AND LOWERMOST TRAY)

ORIGINATED BY CHRIS/BILL	DATE 01-05-07	TITLE gigabit MagJack® (Low Profile, 12 cores) L826-1X1T-23-F	PART NO. / DRAWING NO. L8261X1T23-F	STANDARD DIM.		[] METRIC DIM. AS REFERENCE		 COMPONENTS FOR A CONNECTED PLANET
				TOL. IN INCH		UNIT : INCH [mm]	REV. : B	
DRAWN BY TING	DATE 01-05-07	FILE NAME L8261X1T23-FB.DWG		.X		SCALE : N/A	SIZE : A4	
				.XX				
				.XXX	±0.004		PAGE : 5	