



Chipsmall Limited consists of a professional team with an average of over 10 year of expertise in the distribution of electronic components. Based in Hongkong, we have already established firm and mutual-benefit business relationships with customers from,Europe,America and south Asia,supplying obsolete and hard-to-find components to meet their specific needs.

With the principle of "Quality Parts,Customers Priority,Honest Operation,and Considerate Service",our business mainly focus on the distribution of electronic components. Line cards we deal with include Microchip,ALPS,ROHM,Xilinx,Pulse,ON,Everlight and Freescale. Main products comprise IC,Modules,Potentiometer,IC Socket,Relay,Connector.Our parts cover such applications as commercial,industrial, and automotives areas.

We are looking forward to setting up business relationship with you and hope to provide you with the best service and solution. Let us make a better world for our industry!



## Contact us

Tel: +86-755-8981 8866 Fax: +86-755-8427 6832

Email & Skype: info@chipsmall.com Web: www.chipsmall.com

Address: A1208, Overseas Decoration Building, #122 Zhenhua RD., Futian, Shenzhen, China



THE INFORMATION CONTAINED HEREIN IS CONSIDERED "PROPRIETARY" TO BEL FUSE INC. AND SHALL NOT BE COPIED, REPRODUCED OR DISCLOSED WITHOUT THE WRITTEN APPROVAL OF BEL FUSE INC.

RoHS



| LED1 POLARITY |        |        | LED2 POLARITY |        |        |              |
|---------------|--------|--------|---------------|--------|--------|--------------|
| PIN 13        | PIN 14 | COLOR  | PIN 15        | PIN 16 | PIN 17 | COLOR        |
| -             | +      | YELLOW | -             | +      | /      | ORANGE       |
| /             | /      | /      | /             | +      | -      | GREEN        |
| /             | /      | /      | -             | +      | -      | MIXED YELLOW |

**ELECTRICAL CHARACTERISTICS @ 25°C**

**URNS RATIO**

|     |               |
|-----|---------------|
| TP1 | 1CT : 1CT ±2% |
| TP2 | 1CT : 1CT ±2% |
| TP3 | 1CT : 1CT ±2% |
| TP4 | 1CT : 1CT ±2% |

**DCL @ 100kHz/100mVRMS**  
8mA DC BIAS (0-70 Deg. C) 350µH MIN.

**INS. LOSS**

|                  |             |
|------------------|-------------|
| 0.1MHz TO 1MHz   | -1.1 dB MAX |
| 1MHz TO 65MHz    | -0.5 dB MAX |
| 65MHz TO 100MHz  | -0.8 dB MAX |
| 100MHz TO 125MHz | -1.2 dB MAX |

**RET. LOSS (MIN) @ 100 OHMS +/-15%**

|              |                       |
|--------------|-----------------------|
| 0.5MHz-40MHz | -18 dB                |
| 40MHz-100MHz | -12+20LOG(f/80MHz) dB |

**CM TO CM REJ**

|                 |            |
|-----------------|------------|
| 100kHz - 100MHz | -30 dB MIN |
|-----------------|------------|

**CM TO DM REJ**

|                 |            |
|-----------------|------------|
| 100kHz - 100MHz | -35 dB MIN |
|-----------------|------------|

**HIPOT (Isolation Voltage):** 1500 Vrms  
100% OF PRODUCTION TESTED TO COMPLY WITH IEEE 802.3 ISOLATION REQUIREMENTS.

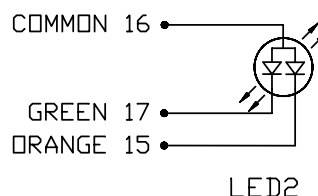
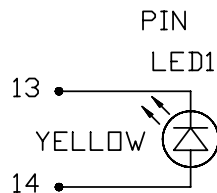
**LED 1**

VF (FORWARD VOLTAGE) IF=20mA YELLOW 2.1V TYP.  
λD (DOMINANT WAVELENGTH) IF=20mA YELLOW 590nm TYP.

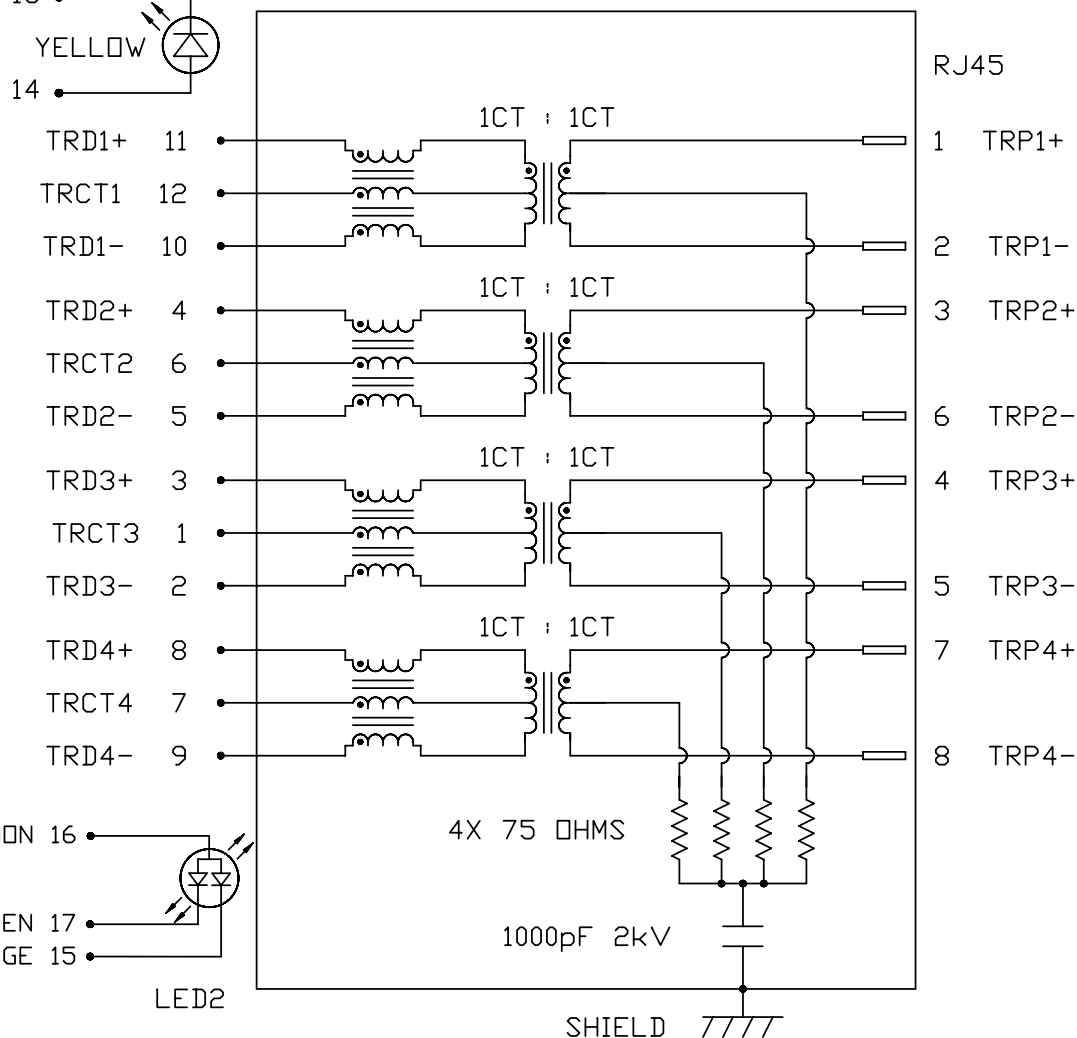
**LED 2**

VF (FORWARD VOLTAGE) IF=20mA YELLOW GREEN 2.2V TYP.  
AMBER 2.1V TYP.  
λD (DOMINANT WAVELENGTH) IF=20mA YELLOW GREEN 570nm TYP.  
AMBER 607nm TYP.

MIXED YELLOW DOES NOT HAVE SPECIFIC WAVELENGTH.



**SCHEMATIC**



|                      |             |   |
|----------------------|-------------|---|
| <b>ORIGINATED BY</b> | <b>DATE</b> | <b>TITLE</b>  |
| CHOW WANGCHUNG       | 08-27-11    | gigabit MagJack®<br>(Ultra Low Profile)<br>PATENTED |
| <b>DRAWN BY</b>      | <b>DATE</b> |   |
| TAN QIGUANG          | 08-27-11    |   |

|                               |                    |
|-------------------------------|--------------------|
| <b>PART NO. / DRAWING NO.</b> | L829-1J1T-43       |
| <b>FILE NAME</b>              | L829-1J1T-43_G.DWG |

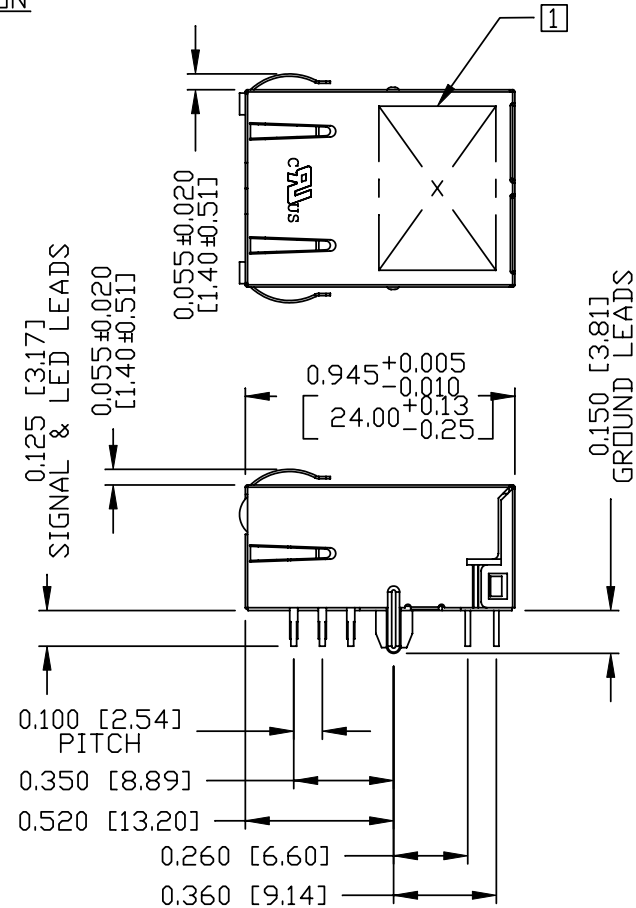
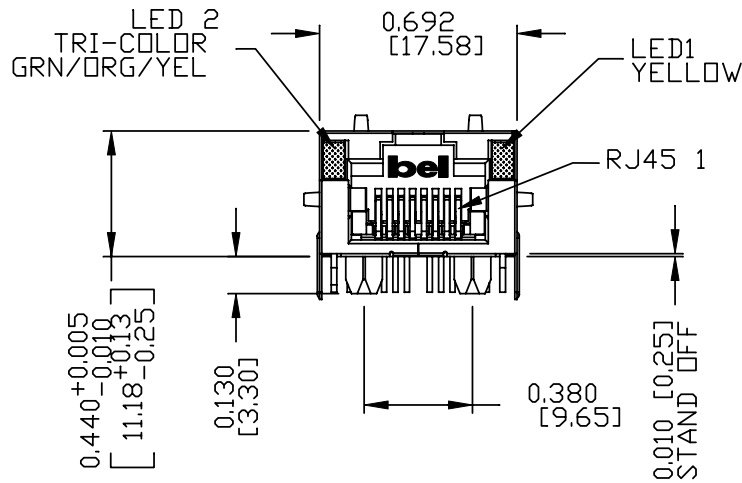
|                                   |                              |
|-----------------------------------|------------------------------|
| <b>STANDARD DIM. TOL. IN INCH</b> | [ ] METRIC DIM. AS REFERENCE |
| .X                                | UNIT : INCH [mm]             |
| .XX                               | SCALE : N/A                  |
| .XXX                              | REV. : G                     |
|                                   | SIZE : A4                    |
|                                   | PAGE : 2                     |

|                                   |
|-----------------------------------|
| <b>bel</b>                        |
| COMPONENTS FOR A CONNECTED PLANET |

THE INFORMATION CONTAINED HEREIN IS CONSIDERED "PROPRIETARY" TO BEL FUSE INC. AND SHALL NOT BE COPIED, REPRODUCED OR DISCLOSED WITHOUT THE WRITTEN APPROVAL OF BEL FUSE INC.

MECHANICAL SPECIFICATION

RoHS



NOTES:

PLASTIC HOUSING: THERMOPLASTIC PA.

CONTACTS: FLAMMABILITY RATING UL 94V-0  
 30 MICRO-INCH HARD GOLD PLATING  
 OUTPUT PINS: TIN-COATED COPPER WIRE, DIA 0.018 INCH.  
 METAL SHIELD: NICKEL PLATED ON COPPER ALLOY.  
 (ALL GROUND LEADS ARE SOLDER DIPPED)

1. MARK PART WITH MFG. LOGO, MFG. NAME, PART NUMBER, DATE CODE AND PATENTED.

- The PRODUCT IS RoHS COMPLIANT.
- UL RECOGNIZED - FILE #E196366 AND E169987.
- JACK CAVITY CONFORMS TO FCC RULES AND REGULATIONS. PART 68 SUBPART F.
- THE PRODUCT IS PATENTED, THE PATENT NUMBER ARE U.S PAT. 5,736,910 AND U.S PAT. 7,123,117 AND U.S PAT. 6,840,817.

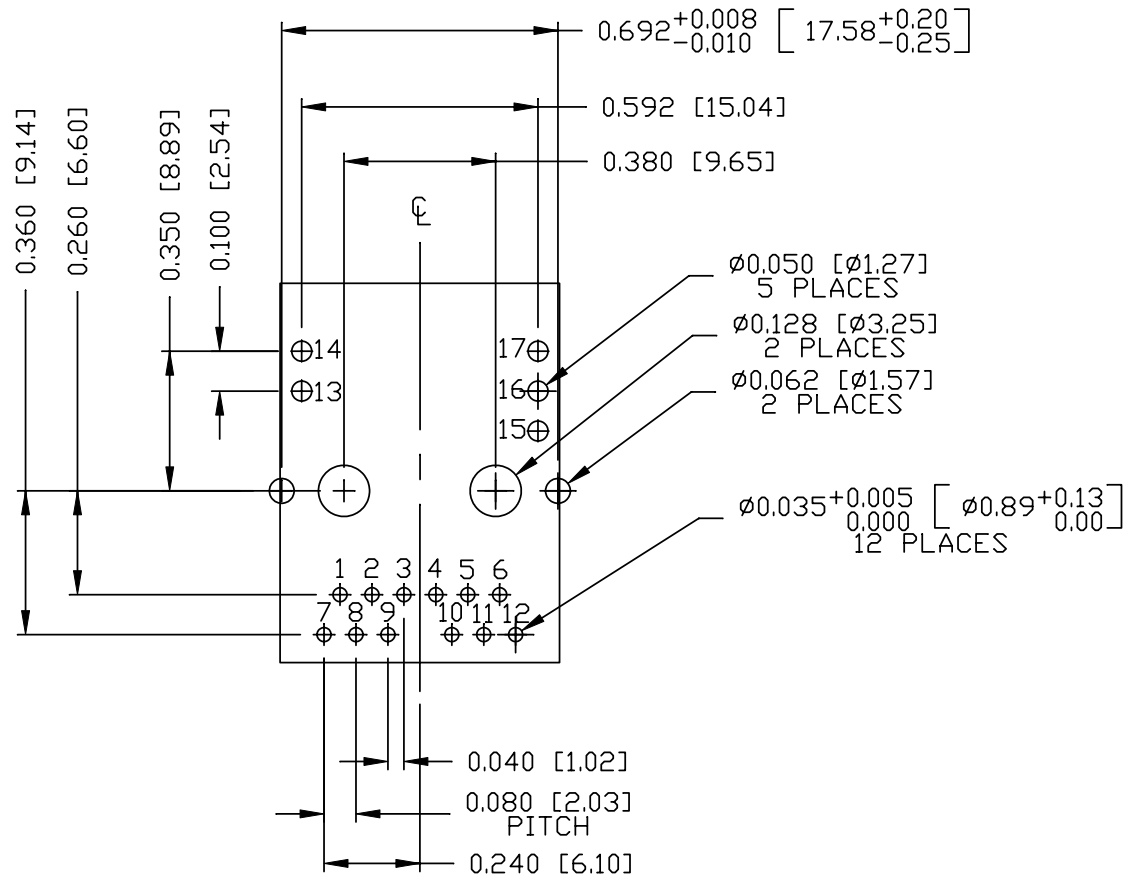
|               |          |   |                        |                            |                              |
|---------------|----------|---|------------------------|----------------------------|------------------------------|
| ORIGINATED BY | DATE     | TITLE   | PART NO. / DRAWING NO. | STANDARD DIM. TOL. IN INCH | [ ] METRIC DIM. AS REFERENCE |
| ANTON LIAD    | 08-27-11 | gigabit MagJack®<br>(Ultra Low Profile)<br>PATENTED | L829-1J1T-43           | .X                         | UNIT : INCH [mm] REV. : G    |
| DRAWN BY      | DATE     |   | FILE NAME              | .XX                        | SCALE : N/A SIZE : A4        |
| JESSE LI      | 08-27-11 |   | L829-1J1T-43_G.DWG     | .XXX ±0.010                | PAGE : 3                     |



THE INFORMATION CONTAINED HEREIN IS CONSIDERED 'PROPRIETARY' TO BEL FUSE INC. AND SHALL NOT BE COPIED, REPRODUCED OR DISCLOSED WITHOUT THE WRITTEN APPROVAL OF BEL FUSE INC.

RECOMMENDED PCB FOOTPRINT  
COMPONENT SIDE VIEW

RoHS



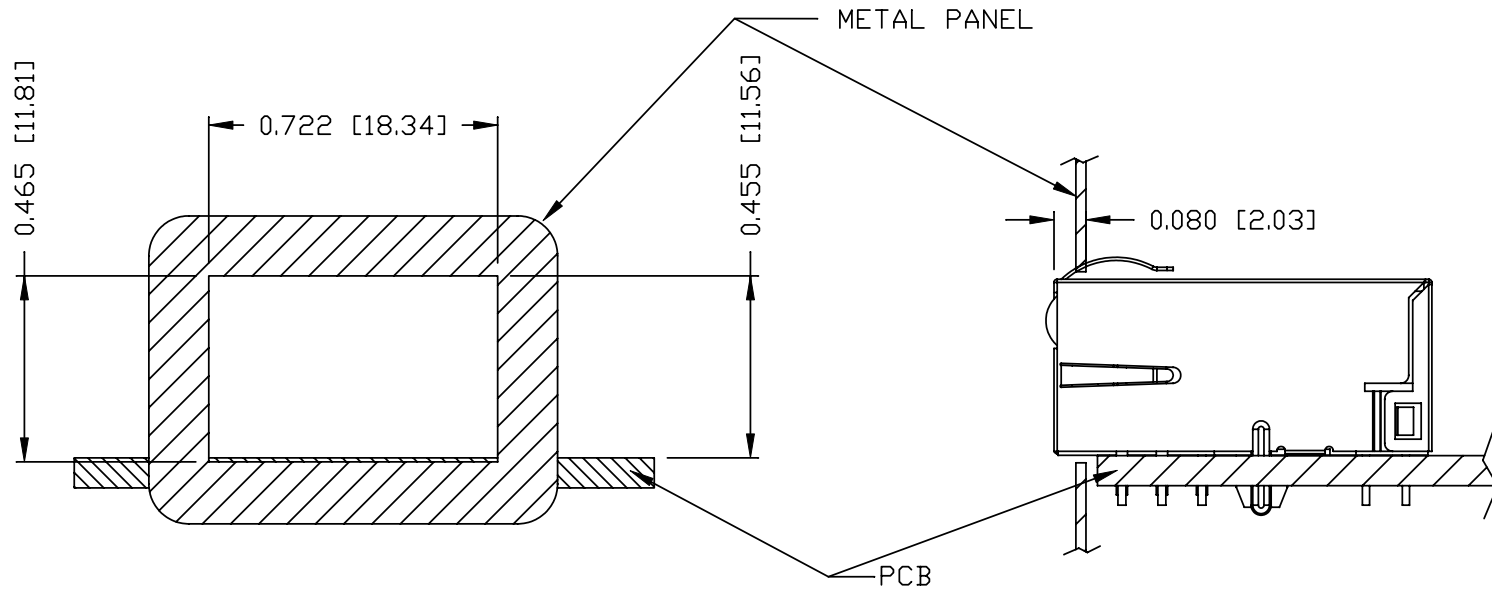
|                             |                  |  |  |                               |                              |          |   |
|-----------------------------|------------------|--|--|-------------------------------|------------------------------|----------|---|
| ORIGINATED BY<br>ANTON LIAO | DATE<br>08-27-11 | TITLE<br>gigabit MagJack®<br>(Ultra Low Profile)<br>PATENTED | PART NO. / DRAWING NO.<br>L829-1J1T-43 | STANDARD DIM.<br>TOL. IN INCH | [ ] METRIC DIM. AS REFERENCE |          | <br>COMPONENTS FOR A<br>CONNECTED<br>PLANET |
| DRAWN BY<br>JESSE LI        | DATE<br>08-27-11 |  | FILE NAME<br>L829-1J1T-43_G.DWG        | .X                            | UNIT : INCH [mm]             | REV. : G |   |
|                             |                  |  | .XX                                    | SCALE : N/A                   | SIZE : A4                    |          |   |
|                             |                  |  | .XXX                                   | ±0.004                        | PAGE : 4                     |          |   |

THE INFORMATION CONTAINED HEREIN IS CONSIDERED "PROPRIETARY" TO BEL FUSE INC. AND SHALL NOT BE COPIED, REPRODUCED OR DISCLOSED WITHOUT THE WRITTEN APPROVAL OF BEL FUSE INC.

RoHS



SUGGESTED PANEL OPENING



NOTE:

THE DISTANCE OF PANEL INSIDE SURFACE RELATIVE TO FRONT SURFACE OF PART IS ONLY A SUGGESTION. IN CASE THIS DISTANCE IS DIFFERENT, THE REQUIRED PANEL OPENING DIMENSIONS CHANGE ACCORDINGLY.

TRAY PACKING INFORMATION

PACKING TRAY : 0200-9999-E4 (TOP)  
0200-9999-E5 (BOTTOM)

PACKING QUANTITY : 60 PCS FINISHED GOODS PER TRAY  
11 TRAYS (660 PCS FINISHED GOODS) PER CARTON BOX

NOTE : CARDBOARDS ARE PLACED BETWEEN LAYERS OF PACKING TRAY INSIDE CARTON BOX  
(INCLUDE THE UPPERMOST AND LOWERMOST TRAY)

|                                    |                         |   |   |                                   |             |                                     |          |                                       |
|------------------------------------|-------------------------|---|---|-----------------------------------|-------------|-------------------------------------|----------|---------------------------------------|
| <b>ORIGINATED BY</b><br>ANTON LIAO | <b>DATE</b><br>08-27-11 | <b>TITLE</b><br>gigabit MagJack®<br>(Ultra Low Profile)<br>PATENTED | <b>PART NO. / DRAWING NO.</b><br>L829-1J1T-43 | <b>STANDARD DIM. TOL. IN INCH</b> |             | <b>[ ] METRIC DIM. AS REFERENCE</b> |          | <br>COMPONENTS FOR A CONNECTED PLANET |
| <b>DRAWN BY</b><br>JESSE LI        | <b>DATE</b><br>08-27-11 |   | <b>FILE NAME</b><br>L829-1J1T-43_G.DWG        | .X                                |             | UNIT : INCH [mm]                    | REV. : G |                                       |
|                                    |                         |   | .XX   |                                   | SCALE : N/A | SIZE : A4                           |          |                                       |
|                                    |                         |   | .XXX  | ±0.004                            |             | PAGE : 5                            |          |                                       |