



Chipsmall Limited consists of a professional team with an average of over 10 year of expertise in the distribution of electronic components. Based in Hongkong, we have already established firm and mutual-benefit business relationships with customers from,Europe,America and south Asia,supplying obsolete and hard-to-find components to meet their specific needs.

With the principle of “Quality Parts,Customers Priority,Honest Operation,and Considerate Service”,our business mainly focus on the distribution of electronic components. Line cards we deal with include Microchip,ALPS,ROHM,Xilinx,Pulse,ON,Everlight and Freescale. Main products comprise IC,Modules,Potentiometer,IC Socket,Relay,Connector.Our parts cover such applications as commercial,industrial, and automotives areas.

We are looking forward to setting up business relationship with you and hope to provide you with the best service and solution. Let us make a better world for our industry!



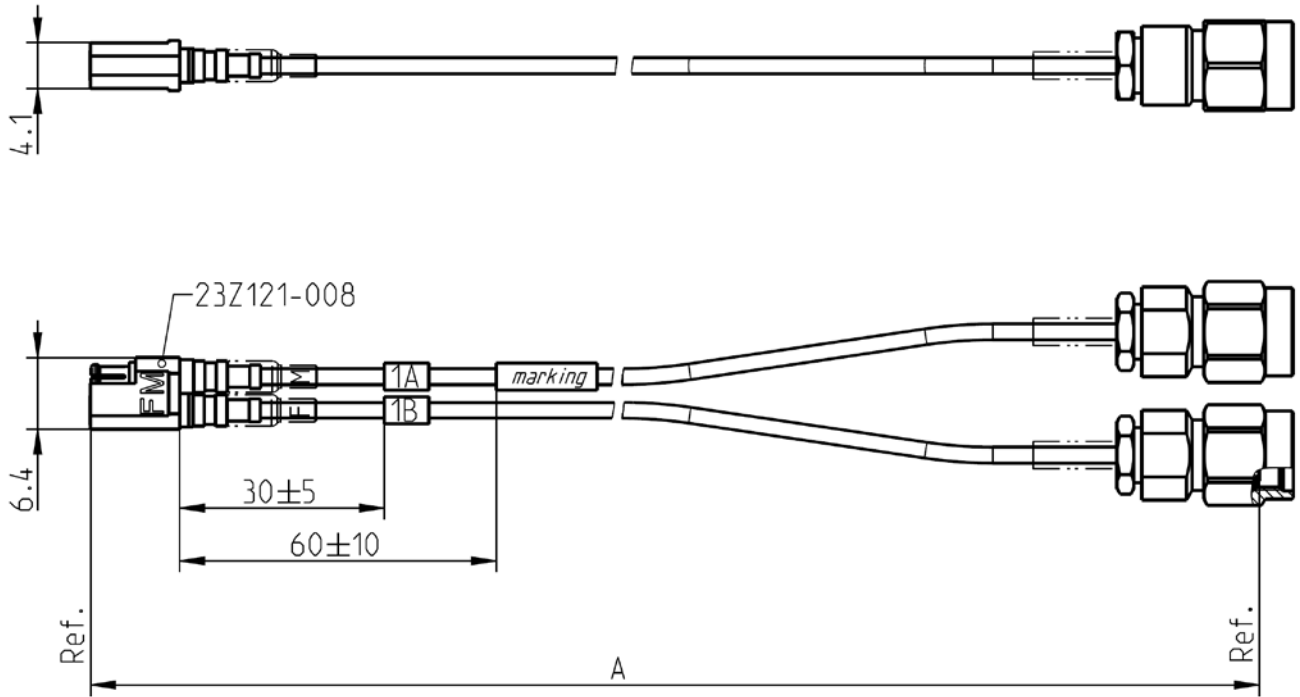
## Contact us

Tel: +86-755-8981 8866 Fax: +86-755-8427 6832

Email & Skype: info@chipsmall.com Web: www.chipsmall.com

Address: A1208, Overseas Decoration Building, #122 Zhenhua RD., Futian, Shenzhen, China





All dimensions are in mm; tolerances:  $\pm 3\text{mm}$  for  $A \leq 300\text{ mm}$ ;  $\pm 1\%$  for  $A > 300\text{ mm}$

**Available variants**

Type	max. Insertion loss at 20 GHz	Marking	Weight (g) / pce
L99-799-XXF	$\leq 0.0050\text{ dB/mm} * A\text{ mm} + 0.60\text{ dB}$	ROSENBERGER YYYY-WW L99-799-XXF FAC-RRRRRRR ssss	$0,011\text{ g/mm} * A\text{ mm} + 10,7\text{ g}$

XX – length in cm      F=2 Channel      A=XX\*10  
 WW – week              YYYY – year              ssss – serial no.

FAC – Factory Code

RRRRRRR – lot nr.

Note: max. Insertion Loss:  
 First constant = Cable attenuation in dB / mm; Second Constant = Connector left and Connector right +needed Adaptor  
 Weight:  
 First constant = Cable- and Armour- weight per mm; Second Constant = Connector left and Connector right weight per pce

Dieses Dokument ist urheberrechtlich geschützt • This document is protected by copyright • Rosenberger Hochfrequenztechnik GmbH & Co. KG

RF\_35/09.14/6.2

# Technical Data Sheet

# Rosenberger

## Cable assembly

Mini Coax Plug/Jack - SMA Plug - RTK 047 Cable

## L99-799-XXF

### Assembly parts

Connector left	Mini Coax plug	23S103-270L3
Connector left	Mini Coax jack	23K103-270L3
Connector right	SMA plug	32S102-270L5
Cable	RTK 047	
Housing	23Z121-008	(2 channel) Luranyl KR 2402 gray

### Electrical data

Impedance	50 $\Omega$
Frequency	DC to 20 GHz
Return loss <sup>1</sup>	$\geq 16$ dB, DC to 20 GHz
Insertion loss <sup>1</sup>	see table available variants
Phase matched by pairs	max. 10ps delay difference

#### Individual testing:

The S-Parameters (S11; S22; S21; S12) will be tested and the cable pairs are measured for phase matching

<sup>1</sup> Return Loss and Insertion Loss includes the measurement adaptor

### Mechanical data

Minimum bend radius:	
Single	5.1 mm
Multiple	10.2 mm

### Environmental data

Temperature range	-40°C to +115°C
RoHS	compliant

While the information has been carefully compiled to the best of our knowledge, nothing is intended as representation or warranty on our part and no statement herein shall be construed as recommendation to infringe existing patents. In the effort to improve our products, we reserve the right to make changes judged to be necessary.

Draft	Date	Approved	Date	Rev.	Engineering change number	Name	Date
Martin Moder	27.07.15	Herbert Babinger	03.08.15	b00	15-1020	Kathrina Mitterer	03.08.15

Rosenberger Hochfrequenztechnik GmbH & Co. KG P.O.Box 1260 D-84526 Tittmoning Germany <a href="http://www.rosenberger.de">www.rosenberger.de</a>	Tel. : +49 8684 18-0 Email : <a href="mailto:info@rosenberger.de">info@rosenberger.de</a>	Page 2 / 2
--	--	---------------