



Chipsmall Limited consists of a professional team with an average of over 10 year of expertise in the distribution of electronic components. Based in Hongkong, we have already established firm and mutual-benefit business relationships with customers from,Europe,America and south Asia,supplying obsolete and hard-to-find components to meet their specific needs.

With the principle of “Quality Parts,Customers Priority,Honest Operation,and Considerate Service”,our business mainly focus on the distribution of electronic components. Line cards we deal with include Microchip,ALPS,ROHM,Xilinx,Pulse,ON,Everlight and Freescale. Main products comprise IC,Modules,Potentiometer,IC Socket,Relay,Connector.Our parts cover such applications as commercial,industrial, and automotives areas.

We are looking forward to setting up business relationship with you and hope to provide you with the best service and solution. Let us make a better world for our industry!



Contact us

Tel: +86-755-8981 8866 Fax: +86-755-8427 6832

Email & Skype: info@chipsmall.com Web: www.chipsmall.com

Address: A1208, Overseas Decoration Building, #122 Zhenhua RD., Futian, Shenzhen, China

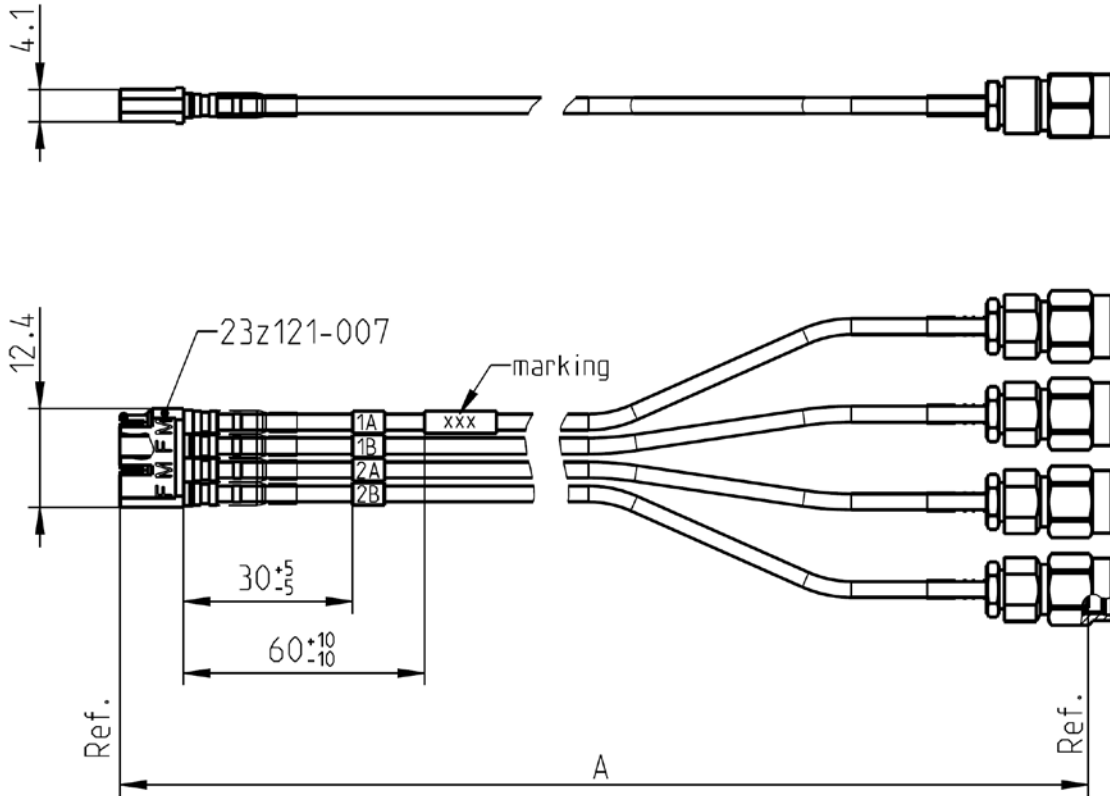


Technical Data Sheet

Rosenberger

Cable assembly
Mini Coax Plug/Jack - SMA Plug - RTK 047 Cable

L99-815-XXE



All dimensions are in mm; tolerances: ± 3 mm for $A \leq 300$ mm; $\pm 1\%$ for $A > 300$ mm

Available variants

| Type | max. Insertion loss at 20 GHz | Marking | Weight (g) / pce |
|-------------|--|---|--|
| L99-815-XXE | $\leq 0.0050 \text{ dB/mm} * A \text{ mm} + 0.60 \text{ dB}$ | ROSENBERGER YYYY-WW L99-815-XXE FAC-RRRRRRRR ssss | $0,022 \text{ g/mm} * A \text{ mm} + 21,4 \text{ g}$ |

XX – length in cm E= 4 Channel A= XX* 10
WW – week YYYY – year ssss – serial no. FAC – Factory Code RRRRRRRR – lot nr.

Note: max. Insertion Loss:
First constant = Cable attenuation in dB /mm; Second Constant = Connector left and Connector right +needed Adaptor

Weight:
First constant = Cable- and Armour- weight per mm; Second Constant = Connector left and Connector right weight per pce

Technical Data Sheet

Rosenberger

Cable assembly

Mini Coax Plug/Jack - SMA Plug - RTK 047 Cable

L99-815-XXE

Assembly parts

| | | |
|-----------------|----------------|----------------------------------|
| Connector left | Mini Coax plug | 23S103-270L3 |
| Connector left | Mini Coax jack | 23K103-270L3 |
| Connector right | SMA plug | 32S102-270L5 |
| Cable | RTK 047 | |
| Housing | 23Z121-007 | (4 channel) Luranyl KR 2402 gray |

Electrical data

| | |
|-----------------------------|------------------------------|
| Impedance | 50 Ω |
| Frequency | DC to 20 GHz |
| Return loss ¹ | ≥ 16 dB, DC to 20 GHz |
| Insertion loss ¹ | see table available variants |
| Phase matched by pairs | max. 5ps delay difference |

Individual testing:

The S-Parameters (S11; S22; S21; S12) will be tested and the cable pairs are measured for phase matching

¹ Return Loss and Insertion Loss includes the measurement adaptor

Mechanical data

| | |
|----------------------|---------|
| Minimum bend radius: | |
| Single | 5.1 mm |
| Multiple | 10.2 mm |

Environmental data

| | |
|-------------------|-----------------|
| Temperature range | -40°C to +115°C |
| RoHS | compliant |

While the information has been carefully compiled to the best of our knowledge, nothing is intended as representation or warranty on our part and no statement herein shall be construed as recommendation to infringe existing patents. In the effort to improve our products, we reserve the right to make changes judged to be necessary.

| Draft | Date | Approved | Date | Rev. | Engineering change number | Name | Date |
|--------------|----------|------------------|----------|------|---------------------------|-------------------|----------|
| Martin Moder | 27.07.15 | Herbert Babinger | 31.07.15 | c00 | 15-1020 | Kathrina Mitterer | 31.07.15 |

| | | |
|--|--|---------------|
| Rosenberger Hochfrequenztechnik GmbH & Co. KG P.O.Box 1260 D-84526 Tittmoning Germany www.rosenberger.de | Tel. : +49 8684 18-0 Email : info@rosenberger.de | Page 2 / 2 |
|--|--|---------------|