



Chipsmall Limited consists of a professional team with an average of over 10 year of expertise in the distribution of electronic components. Based in Hongkong, we have already established firm and mutual-benefit business relationships with customers from,Europe,America and south Asia,supplying obsolete and hard-to-find components to meet their specific needs.

With the principle of “Quality Parts,Customers Priority,Honest Operation,and Considerate Service”,our business mainly focus on the distribution of electronic components. Line cards we deal with include Microchip,ALPS,ROHM,Xilinx,Pulse,ON,Everlight and Freescale. Main products comprise IC,Modules,Potentiometer,IC Socket,Relay,Connector.Our parts cover such applications as commercial,industrial, and automotives areas.

We are looking forward to setting up business relationship with you and hope to provide you with the best service and solution. Let us make a better world for our industry!



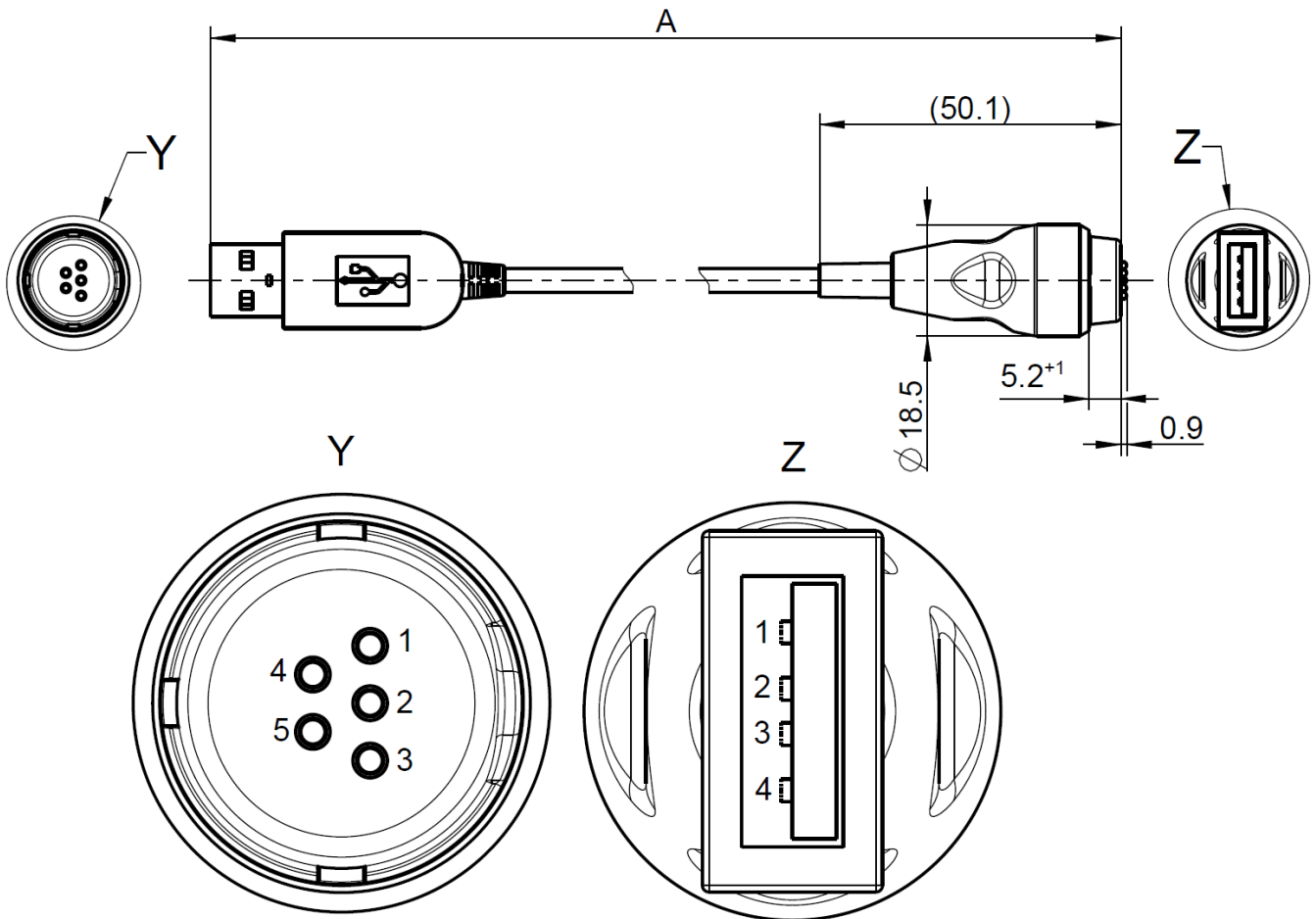
Contact us

Tel: +86-755-8981 8866 Fax: +86-755-8427 6832

Email & Skype: info@chipsmall.com Web: www.chipsmall.com

Address: A1208, Overseas Decoration Building, #122 Zhenhua RD., Futian, Shenzhen, China





USB A jack		Magnetic Connector		
Pin	name	cable color	description	Pin
1	VBUS	Red	+5V	2
2	D-	White	Data-	5
3	D+	Green	Data+	3
4	GND	Black	Signal Ground	4
shell	-	-	-	1

All dimensions are in mm; tolerances according to ISO 2768 m-H

Interface

According to

MF2K201-400L
USB Standard-A

Flammability

Connector parts

Insulator
Assembly parts

Category

material acc. to UL94 V-0
material acc. to UL94 V-1/V-2

Dieses Dokument ist urheberrechtlich geschützt • This document is protected by copyright • Rosenberger Hochfrequenztechnik GmbH & Co. KG

RF_35/05.10/6.0

Material and plating

Connector parts (MF)

	Material	Plating / Colour
Insulator	PBT GF30	black
Housing	PBT GF30	black
Housing insert	PA	black
Piston	Brass	min 0,25 µm Au over 2,5 µm Ni
Ferrule	Brass	min 0,25 µm Au over 2,5 µm Ni
Spring	Stainless steel	
Tension relief	TPE	black
Magnet	NdFeB N52	Ni
Silicone Tube	Silicone	

Connectors

USB plug type A

Electrical data

According to USB 2.0
Peak current 500mA

Mechanical data

Mating cycles min. 10.000
Disengagement force > 10 N
Force measured during vertical disengagement with counter connector north to interface
Magnetic pole

Environmental data

Temperature range -25°C to +75°C
RoHS compliant

Suitable cables

USB 2.0 Standard cable

Available versions

Type	Length A [mm]	pieces per box	g/piece
L99-838-500	500 +20/-20	100	25
L99-838-1500	1500 +80/-80	200	54
L99-838-1800	1800 +80/-80	200	62

Packing

Single packing 1 pcs per box

Caution

„The magnetic field of the assembled magnets is very strong. These magnets can particularly impact the function of cardiac pacemakers, implanted cardioverter-defibrillators (e.g. by unintentional actuation of reed switch), hearing aids, data storage media, monitors, and debit- and credit cards. Therefore keep sufficient safety distance from such or similar devices to prevent malfunction and danger to health. In case of any further questions please contact our customer service center.“

Draft	Date	Approved	Date	Rev.	Engineering change number	Name	Date
G. Lapper	03.04.2012	C. Kainzmaier	14.10.16	c00	16-s322	S. Doerr	14.10.16