



Chipsmall Limited consists of a professional team with an average of over 10 year of expertise in the distribution of electronic components. Based in Hongkong, we have already established firm and mutual-benefit business relationships with customers from,Europe,America and south Asia,supplying obsolete and hard-to-find components to meet their specific needs.

With the principle of “Quality Parts,Customers Priority,Honest Operation,and Considerate Service”,our business mainly focus on the distribution of electronic components. Line cards we deal with include Microchip,ALPS,ROHM,Xilinx,Pulse,ON,Everlight and Freescale. Main products comprise IC,Modules,Potentiometer,IC Socket,Relay,Connector.Our parts cover such applications as commercial,industrial, and automotives areas.

We are looking forward to setting up business relationship with you and hope to provide you with the best service and solution. Let us make a better world for our industry!



Contact us

Tel: +86-755-8981 8866 Fax: +86-755-8427 6832

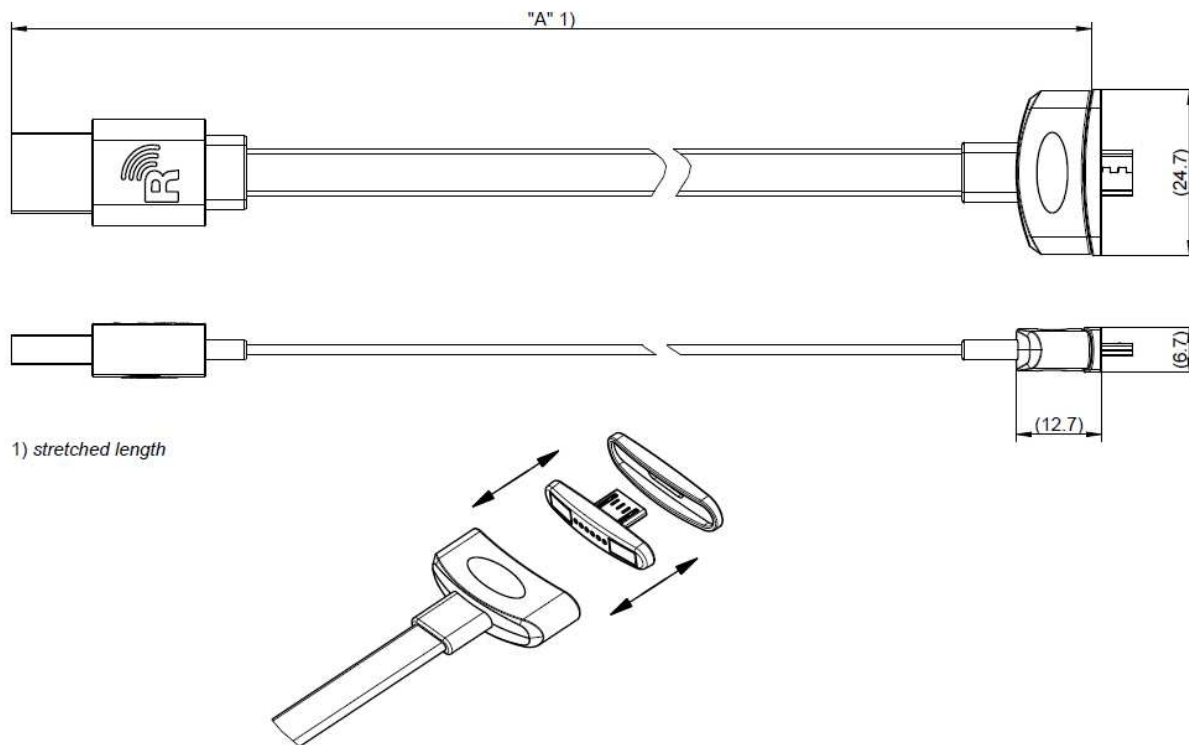
Email & Skype: info@chipsmall.com Web: www.chipsmall.com

Address: A1208, Overseas Decoration Building, #122 Zhenhua RD., Futian, Shenzhen, China



L99 USB 2.0 A MALE TO USB 2.0 MICRO-B ADAPTER

L99-M0014-XXX-Y



All dimensions are in mm; tolerances according to ISO 2768 c

Interface

According to MU1S199-K01L-Y

Available length

Description	Length "A" in [mm] ¹
L99-M0014-XXX-Y	XXX ± 1%

¹length < 300 ± 3 mm

Available colour

Description	Colour "Y" in
L99-M0014-XXX-Y	A- white
	B- black

Technical data cable interfaces

USB 2.0 480Mbit/s
 gold contacts
 1.0 meter length
 USB 2.0 A-plug male version
 Magnetic interface for magnetic adapter

RF_35/06.07/5.0

L99 USB 2.0 A MALE TO USB 2.0 MICRO-B ADAPTER

L99-M0014-XXX-Y

Technical data magnetic adapter

USB 2.0 480Mbit/s
gold contacts
Magnetic interface for cable interface
USB Micro B 2.0 Plug

Electrical data

USB Standard 2.0

Mechanical data

Mating cycles USB acc. to USB 2.0 specification
Mating cycles Adapter min. 10000
Disengagement force (USB interface) min. 11 N
max. 16 N
Disengagement force (magnetic interface) min. 6 N
max. 11 N

Environmental data

Temperature range -25°C to +50°C
RoHS compliant

Packing

Standard plastic bag
Weight 25.1g/piece

Safety instruction

Caution

Magnets can impact the function of pace makers and implantable cardioverter-defibrillators (e.g. actuation of reed switch). Keep a minimum distance of 0.5 m (50 cm) from magnetic components in order to prevent malfunction and danger to health.

While the information has been carefully compiled to the best of our knowledge, nothing is intended as representation or warranty on our part and no statement herein shall be construed as recommendation to infringe existing patents. In the effort to improve our products, we reserve the right to make changes judged to be necessary.

Draft	Date	Approved	Date	Rev.	Engineering change number	Name	Date
M. Portenkirchner	23/03/16	M. Portenkirchner	06.12.17	200	17-2050	A.Schuster	06.12.17
Rosenberger Hochfrequenztechnik GmbH & Co. KG P.O.Box 1260 D-84526 Tittmoning Germany www.rosenberger.de					Tel.: +49 8684 18-0 Fax: +49 8684 18-499 email: info@rosenberger.de		Page 2 / 2