



Chipsmall Limited consists of a professional team with an average of over 10 year of expertise in the distribution of electronic components. Based in Hongkong, we have already established firm and mutual-benefit business relationships with customers from,Europe,America and south Asia,supplying obsolete and hard-to-find components to meet their specific needs.

With the principle of “Quality Parts,Customers Priority,Honest Operation,and Considerate Service”,our business mainly focus on the distribution of electronic components. Line cards we deal with include Microchip,ALPS,ROHM,Xilinx,Pulse,ON,Everlight and Freescale. Main products comprise IC,Modules,Potentiometer,IC Socket,Relay,Connector.Our parts cover such applications as commercial,industrial, and automotives areas.

We are looking forward to setting up business relationship with you and hope to provide you with the best service and solution. Let us make a better world for our industry!



## Contact us

Tel: +86-755-8981 8866 Fax: +86-755-8427 6832

Email & Skype: info@chipsmall.com Web: www.chipsmall.com

Address: A1208, Overseas Decoration Building, #122 Zhenhua RD., Futian, Shenzhen, China





### Thermoelectric cooling unit for medical and industrial applications

The Liquid-to-Air Series thermoelectric assembly (TEA) offers dependable, compact performance by cooling objects via liquid to transfer heat. Heat is absorbed through a liquid heat exchanger and dissipated thru a high density heat sink equipped with an air ducted shroud and brand name fan. The thermoelectric modules are custom designed to achieve a high coefficient of performance (COP) to minimize power consumption. This product series is available in a wide range of cooling capacities and voltages. Custom configurations are available, however, MOQ applies.

#### FEATURES

- Compact form factor
- Precise temperature control
- Reliable solid-state operation
- DC operation
- RoHS compliant

#### APPLICATIONS

- Medical Diagnostics
- Industrial Lasers
- Medical Lasers
- Analytical Instrumentation

Americas: +1.919.597.7300

Europe: +46.31.420530

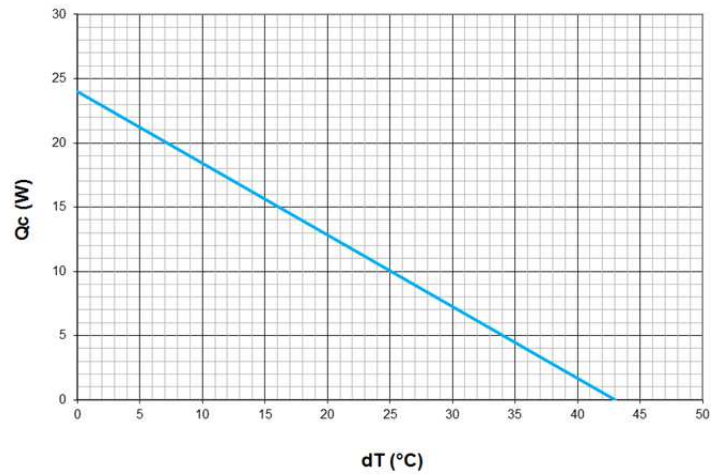
Asia: +86.755.2714.1166

ets.sales@lairdtech.com

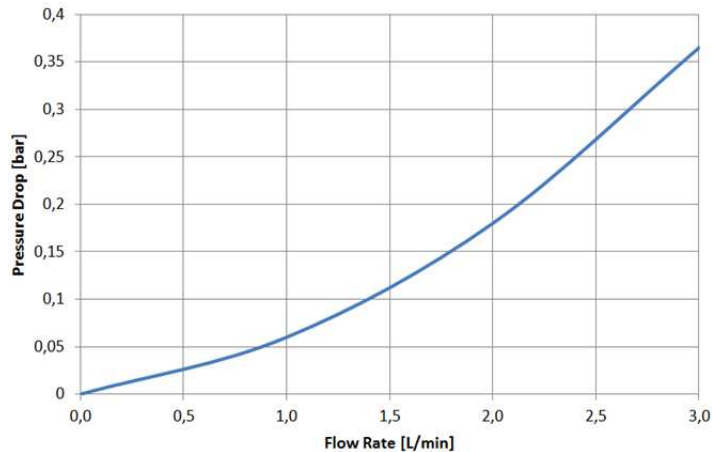
[www.lairdtech.com](http://www.lairdtech.com)

Liquid-to-Air Thermoelectric Assembly

Qc vs dT



Pressure Drop vs Flow Rate



**SPECIFICATIONS**

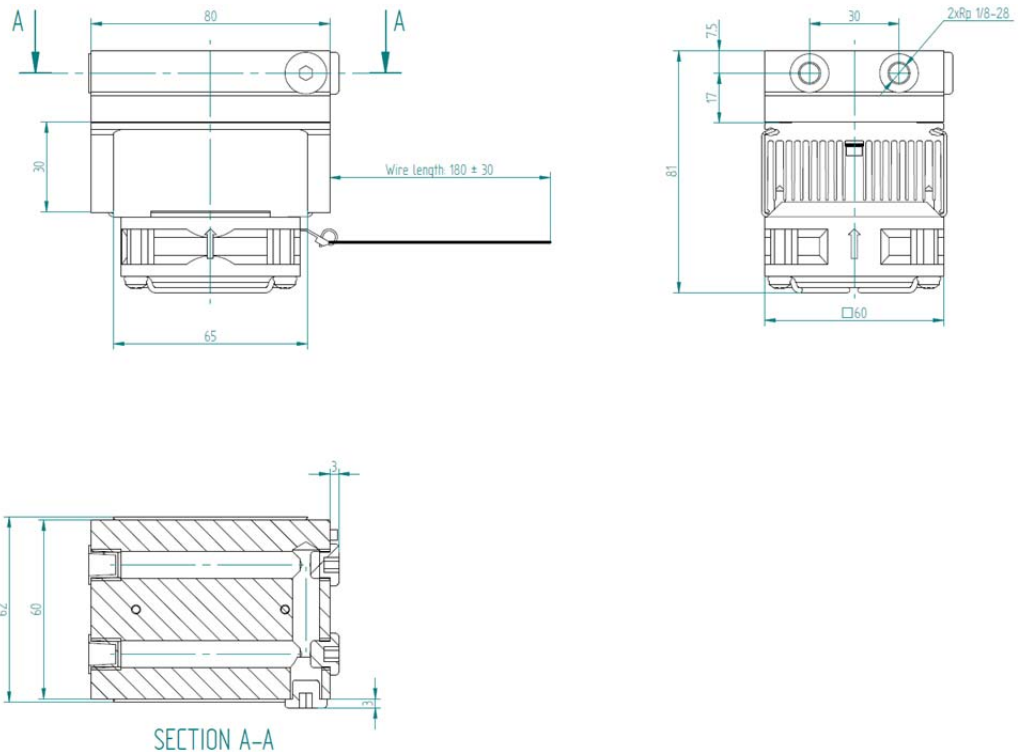
**TECHNICAL**

Technology	Thermoelectric based
Cooling at $\Delta T = 0^\circ\text{C}$	24 W
Voltage (nominal / maximum) <sup>1</sup>	12/15 VDC
Current draw, $\pm 10\%$ (nominal / startup)	2.2/2.8 A
Weight	0.5 kg
MTBF (fans)	50,000 hours
Performance Tolerance	$\pm 10\%$

**ENVIRONMENTAL**

Temperature range	$-10^\circ\text{C}$ to $+48^\circ\text{C}$
-------------------	--

**MECHANICAL DRAWING**



**Note:**

- For indoor use only
- Turbulators are mounted inside liquid channels to turbulate flow
- Cold block requires insulation to minimize moisture buildup under dew point conditions.

THR-DS-LA-024-12-02 1217

Any information furnished by Laird and its agents is believed to be accurate and reliable. All specifications are subject to change without notice. Responsibility for the use and application of Laird materials rests with the end user, since Laird and its agents cannot be aware of all potential uses. Laird makes no warranties as to the fitness, merchantability or suitability of any Laird materials or products for any specific or general uses. Laird, Laird Technologies, Inc or any of its affiliates or agents shall not be liable for incidental or consequential damages of any kind. All Laird products are sold pursuant to the Laird Technologies' Terms and Conditions of sale in effect from time to time, a copy of which will be furnished upon request. © Copyright 2014 Laird Technologies, Inc. All Rights Reserved. Laird, Laird Technologies, the Laird Logo, and other marks are trademarks or registered trademarks of Laird Technologies, Inc. or an affiliate company thereof. Other product or service names may be the property of third parties. Nothing herein provides a license under any Laird or any third party intellectual property rights.