



Chipsmall Limited consists of a professional team with an average of over 10 year of expertise in the distribution of electronic components. Based in Hongkong, we have already established firm and mutual-benefit business relationships with customers from,Europe,America and south Asia,supplying obsolete and hard-to-find components to meet their specific needs.

With the principle of “Quality Parts,Customers Priority,Honest Operation,and Considerate Service”,our business mainly focus on the distribution of electronic components. Line cards we deal with include Microchip,ALPS,ROHM,Xilinx,Pulse,ON,Everlight and Freescale. Main products comprise IC,Modules,Potentiometer,IC Socket,Relay,Connector.Our parts cover such applications as commercial,industrial, and automotives areas.

We are looking forward to setting up business relationship with you and hope to provide you with the best service and solution. Let us make a better world for our industry!



Contact us

Tel: +86-755-8981 8866 Fax: +86-755-8427 6832

Email & Skype: info@chipsmall.com Web: www.chipsmall.com

Address: A1208, Overseas Decoration Building, #122 Zhenhua RD., Futian, Shenzhen, China

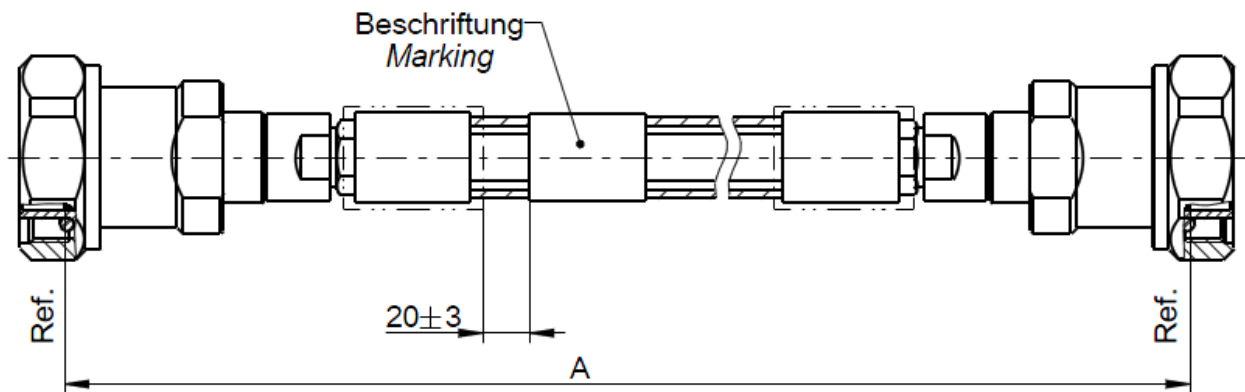


Technical Data Sheet

Rosenberger

Cable assembly
7/16 plug / plug – RTK 081 Cable – T1 Armour

LA2-106-XXX



All dimensions are in mm; tolerances: ± 3mm for A ≤ 300 mm; ± 1% for A > 300 mm

Available variants

Type	max. Insertion loss at 8 GHz	Marking	Weight (g) / pce
LA2-106-XXX	$\leq 0.00045 \text{ dB/mm} * A \text{ mm} + 0.1 \text{ dB}$	ROSENBERGER YYYYY-WW LA2-106-XXX FAC-RRRRRRR ssss	$0.427 \text{ g/mm} * A \text{ mm} + 290 \text{ g}$

XXX – length in mm = A
WW – week YYYYY – year ssss – serial no. FAC – Factory Code RRRRRRR – lot nr.

Note: max. Insertion Loss:
First constant = Cable attenuation in dB /mm; Second Constant = Connector left and Connector right +needed Adaptor

Weight:
First constant = Cable- and Armour- weight per mm; Second Constant = Connector left and Connector right weight per pce

Assembly parts

Connector left	7/16 plug	60S152-2A2N1
Connector right	7/16 plug	60S152-2A2N1
Cable	RTK 081	
Armour	Polyurethane jacket over braid / stainless steel spiral	

Electrical data

Impedance	50 Ω
Frequency	DC to 8 GHz
Return loss ¹	≥ 19 dB, DC to 8 GHz
Insertion loss ¹	see table available variants

¹ Return Loss and Insertion Loss includes the measurement adaptor

Dieses Dokument ist urheberrechtlich geschützt • This document is protected by copyright • Rosenberger Hochfrequenztechnik GmbH & Co. KG

RF_35/09;14/6.2

Technical Data Sheet

Rosenberger

Cable assembly
7/16 plug / plug – RTK 081 Cable – T1 Armour

LA2-106-XXX

Mechanical data

Minimum bend radius:
Single 38 mm
Multiple 76.2 mm
Crush resistance 80 N/mm

Environmental data

Temperature range -40°C to +80°C
RoHS compliant

While the information has been carefully compiled to the best of our knowledge, nothing is intended as representation or warranty on our part and no statement herein shall be construed as recommendation to infringe existing patents. In the effort to improve our products, we reserve the right to make changes judged to be necessary.

Draft	Date	Approved	Date	Rev.	Engineering change number	Name	Date
F. Reiner	23.11.15	H. Babinger	01.12.15	b00	15-s435	B.Zimmerle	01.12.15

Rosenberger Hochfrequenztechnik GmbH & Co. KG P.O.Box 1260 D-84526 Tittmoning Germany www.rosenberger.de	Tel. : +49 8684 18-0 Email : info@rosenberger.de	Page 2 / 2
--	--	---------------