



Chipsmall Limited consists of a professional team with an average of over 10 year of expertise in the distribution of electronic components. Based in Hongkong, we have already established firm and mutual-benefit business relationships with customers from,Europe,America and south Asia,supplying obsolete and hard-to-find components to meet their specific needs.

With the principle of “Quality Parts,Customers Priority,Honest Operation,and Considerate Service”,our business mainly focus on the distribution of electronic components. Line cards we deal with include Microchip,ALPS,ROHM,Xilinx,Pulse,ON,Everlight and Freescale. Main products comprise IC,Modules,Potentiometer,IC Socket,Relay,Connector.Our parts cover such applications as commercial,industrial, and automotives areas.

We are looking forward to setting up business relationship with you and hope to provide you with the best service and solution. Let us make a better world for our industry!



## Contact us

Tel: +86-755-8981 8866 Fax: +86-755-8427 6832

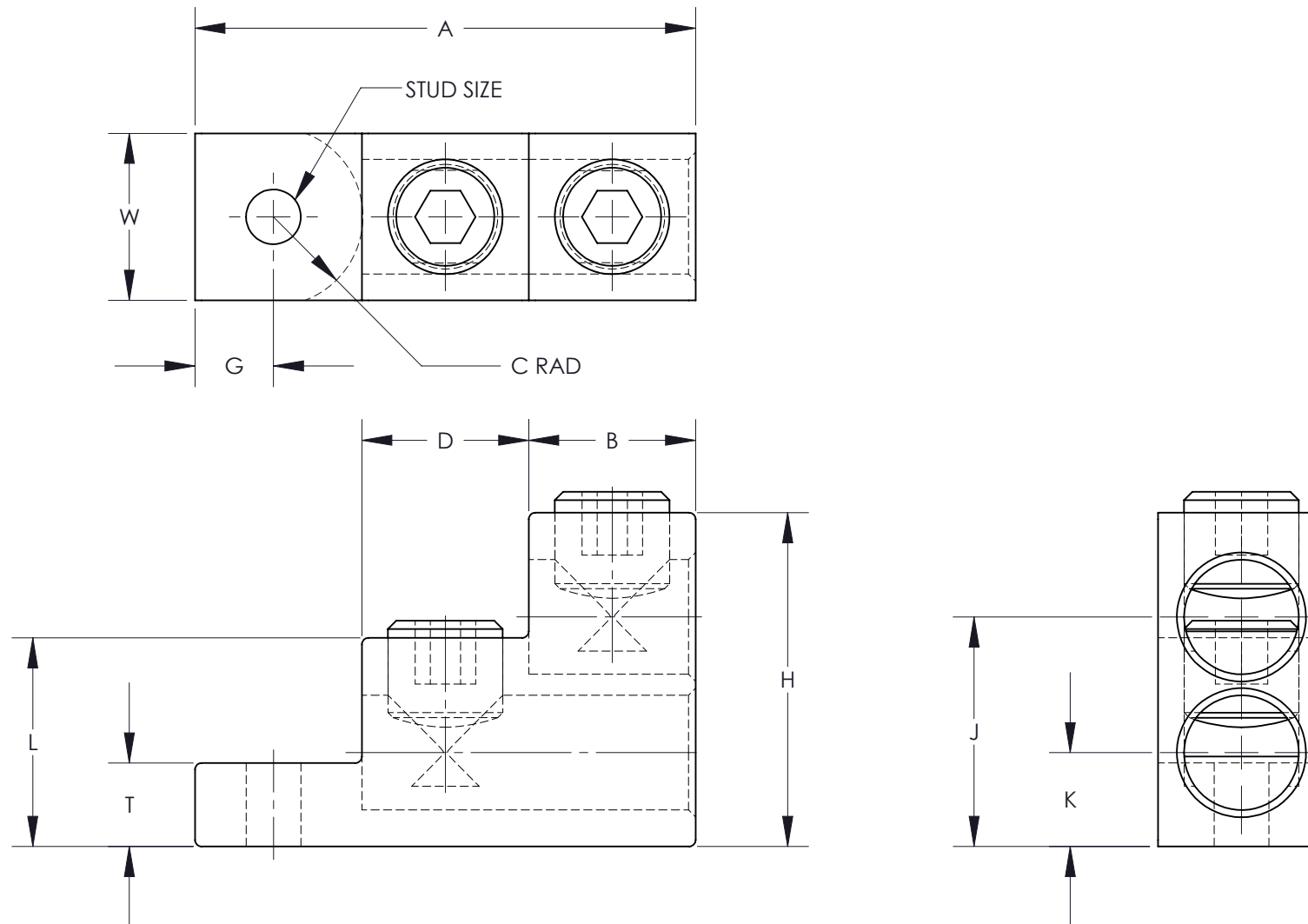
Email & Skype: info@chipsmall.com Web: www.chipsmall.com

Address: A1208, Overseas Decoration Building, #122 Zhenhua RD., Futian, Shenzhen, China



NOTES:

- MATERIAL:  
BODY - ALUMINUM, TIN PLATED  
SCREW - ALUMINUM, TIN PLATED
- UL LISTED & CSA CERTIFIED FOR USE UP TO 600V & TEMPERATURE RATED 90°C (AL9CU)
- DUAL RATED FOR USE WITH COPPER OR ALUMINUM STRANDED CODE CONDUCTOR
- THESE PARTS ARE RoHS COMPLIANT
- USE OF OXIDE INHIBITING JOINT COMPOUND LIKE PANDUIT CMP-100 RECOMMENDED FOR PAD TO PAD AND CONDUCTOR SURFACES
- SEE PACKAGING LABEL FOR TIGHTENING TORQUE INFORMATION
- PKG QTY:  
3 = 3



PART NUMBER	DIMENSIONS - IN [mm] +/- .02 [.5]											STUD SIZE	WIRE STRIP LENGTH	WIRE RANGE	HEX KEY*
	A	B	D	G	T	H	W	C MAX.	J	K	L				
LAM2SA300-56-3	3.00 [76.2]	1.00 [25.4]	1.00 [25.4]	.47 [11.9]	.50 [12.7]	2.00 [50.8]	1.00 [25.4]	.53 [13.5]	1.38 [35.1]	.56 [14.2]	1.25 [31.8]	5/16	1.02 [25.9]	300kcmil-6 AWG	5/16
LAM2SA300-38-3	3.00 [76.2]	1.00 [25.4]	1.00 [25.4]	.47 [11.9]	.50 [12.7]	2.00 [50.8]	1.00 [25.4]	.53 [13.5]	1.38 [35.1]	.56 [14.2]	1.25 [31.8]	3/8	1.02 [25.9]	300kcmil-6 AWG	5/16

\* HEX SIZE MAY DIFFER FROM CHART. DIFFERENCE IN SIZE WILL NOT AFFECT FIT, FORM, OR FUNCTION OF PART

						TITLE LAM2SA SERIES ALUMINUM MECHANICAL LUGS CUSTOMER DRAWING	
						ITEM REVISION NAME N41360BB-C41360/04	
						DATASET FILE NAME C41360/04.SLDDRW	
						UNLESS OTHERWISE SPECIFIED, DIMENSIONAL TOLERANCES ARE: IN [mm] .X ± .XX ±	
						MATERIAL SEE NOTES	
						DRAWING NUMBER C41360_04	
04	2/13	JHNU	JHNU	RGB	REVISED TITLE BLOCK		N41360BB-C41360
REV	DATE	BY	CHK	APR	DESCRIPTION		ECN
						THIRD ANGLE PROJECTION	
						DRAWN BY CJW	
						DATE 12/02	
						CHK SCALE NONE	
						SHEET 1 OF 1	
						SIZE B	